

# DREA TUB SPOUT WITH DIVERTER

SKU: 953919  
Code: SHTS71



## FEATURES

Installation Type: Wall Mount  
Material: Metal  
Length: 6-3/8"  
Width: 3-3/16"  
Base Plate Length: 3-3/16"  
Assembly Required: Yes  
Base Plate Width: 3-3/16"  
Tub Filler Spout Reach: 5-5/8"  
Diverter Included: Yes  
Swivel Spout: No  
Handle Material: Metal  
Tub Faucet Material: Metal

ASME A112.18.1/CSA B125.1  
Massachusetts Accepted



REVISED 3/18/2024

# DREA TUB SPOUT WITH DIVERTER

---

SKU: 953919  
Code: SHTS71

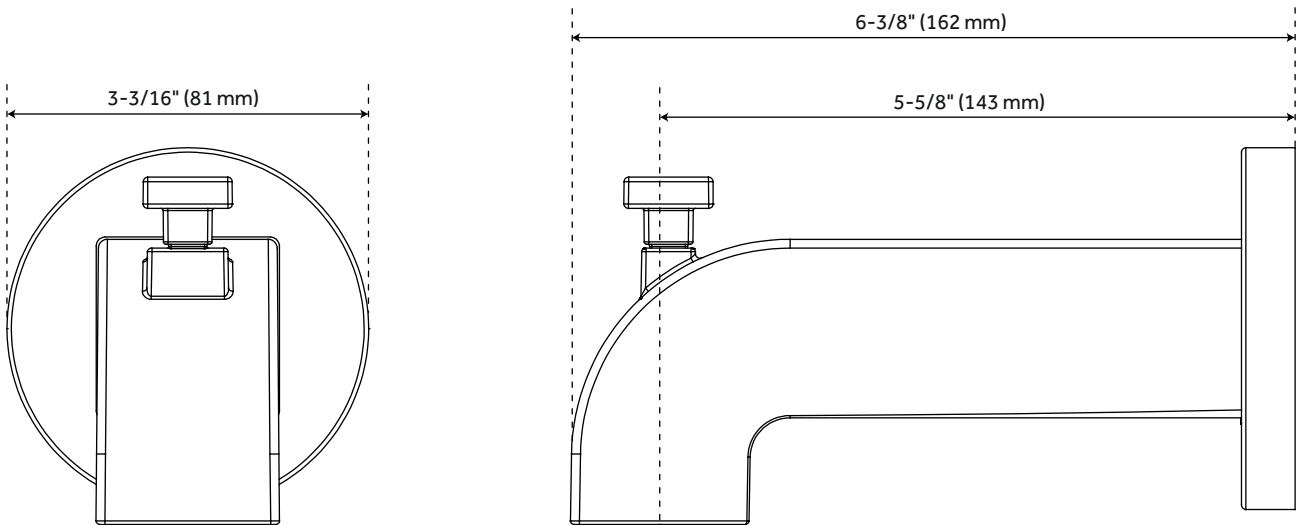


## ADDITIONAL FEATURES

- Metal construction for ultimate strength and durability.
- 1/2" Slip Fit Connection.

REVISED 3/18/2024

# DREA TUB SPOUT WITH DIVERTER



All dimensions and specifications are nominal and may vary. Use actual products for accuracy in critical situations.