

DREA WALL-MOUNT BATHROOM FAUCET

SKU: 953916

Code: SHWSCDR207, SHWMR2000, SHWSCDR207, SHWMR2000



FEATURES

Installation Type: Wall Mount
Design: Modern
Material: Metal
Length: 13-5/16"
Width: 8-9/16"
Height: 2-3/8"
Base Plate Diameter: 2-1/8"
Assembly Required: Yes
Faucet Centers: 8"
Fits Drain Hole Size: 1-1/2"
Drain Included: Yes
Handle Type: Lever
Handle Length: 2-5/8"
IPS: 1/2"
Flow Rate: 1.2 gpm (4.5 L/min) @ 60 psi
Spout Reach: 8-1/4"
Swivel Spout: No
Handle Height: 2-5/16" (depth)
Ceramic Disc Cartridges: Yes
Hot and Cold Indicators: No
Handle Material: Metal

ASME A112.18.1/CSA B125.1

NSF/ANSI 372

NSF/ANSI 61

NSF/ANSI/CAN 61

NSF/ANSI/CAN 61-9:Q≤1

ICC/ANSI A117.1

CEC Listed

CALGreen

WaterSense by IAPMO

Massachusetts Accepted



REVISED 3/18/2024

DREA WALL-MOUNT BATHROOM FAUCET

SKU: 953916

Code: SHWSCDR207, SHWMR2000, SHWSCDR207, SHWMR2000

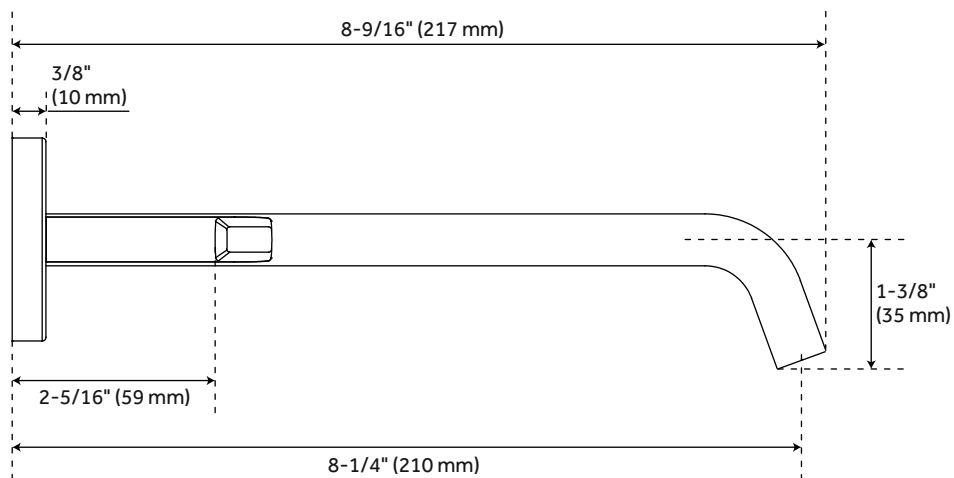
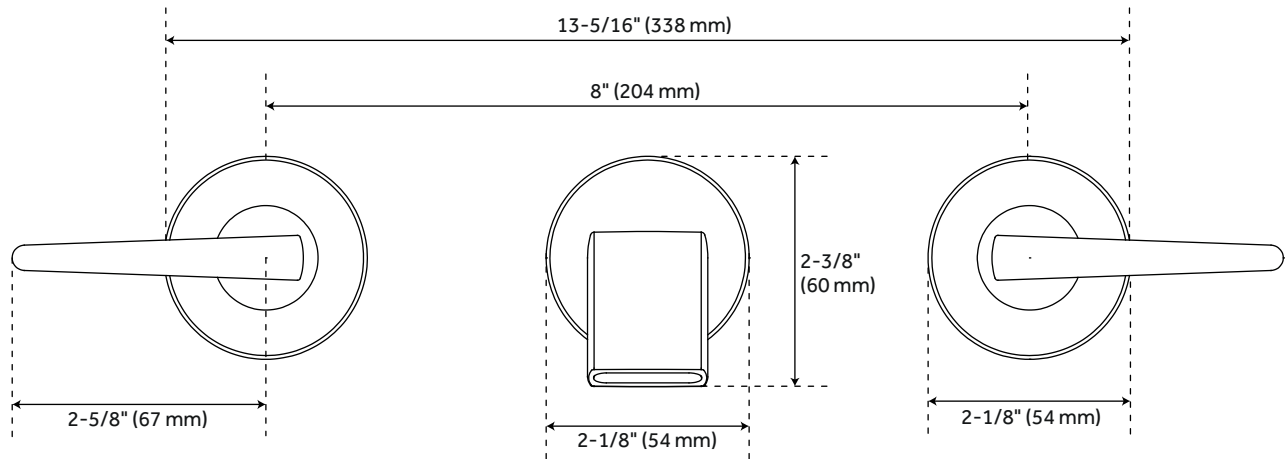


ADDITIONAL FEATURES

- Metal construction for ultimate strength and durability.
- For above-counter lavatories and wall-mount installations.

REVISED 3/18/2024

DREA WALL-MOUNT BATHROOM FAUCET



All dimensions and specifications are nominal and may vary. Use actual products for accuracy in critical situations.