

WALL-MOUNT FAUCET ROUGH-IN VALVE

SKU: 485019
Code: SHWMR2000

FEATURES

Material: Metal
Length: 9-3/4"
Height: 3-7/8"
Assembly Required: Yes
Weight: 3.1 lbs



ASME A112.18.1/CSA B125.1
NSF/ANSI 372
NSF/ANSI 61
NSF/ANSI/CAN 61
Vo7 ° Vo@# ° V j
Massachusetts Accepted
LISTED ID: SHWMR2000



REVISED 2/12/2024

WALL-MOUNT FAUCET ROUGH-IN VALVE

SKU: 485019

Code: SHWMR2000

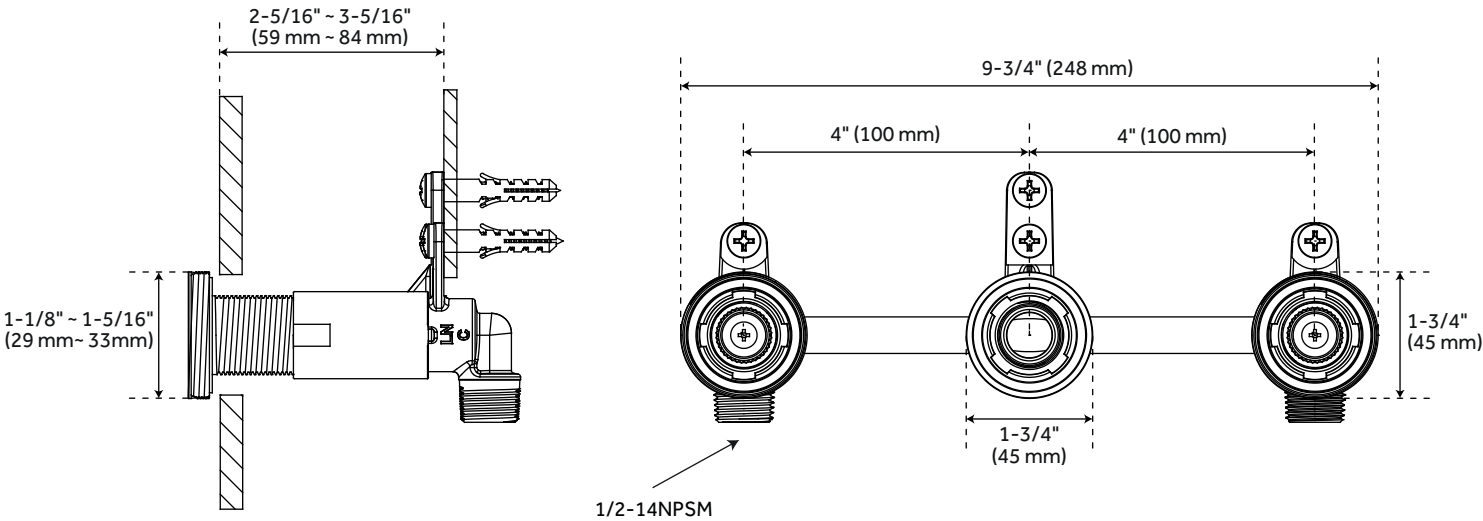


ADDITIONAL FEATURES

- Durable brass construction.
- Ceramic cartridge.
- Flow rate of 14 gpm (53/L per minute) @ 60 psi when used with a wall mount tub faucet.
- Flow rate of 1.2 gpm (4.54L/per minute) @ 60 psi when used with a wall mount lav faucet.

REVISED 2/12/2024

WALL-MOUNT FAUCET ROUGH-IN VALVE



All dimensions and specifications are nominal and may vary. Use actual products for accuracy in critical situations.