

VASSOR SINGLE-HOLE BATHROOM FAUCET

SKU: 953796

Code: SHWSCVA107, SH488903



FEATURES

Material: Metal construction for strength and durability

Installation Type: Single-Hole

Connection Type: Compression

Flow Rate: 1.2 gpm (4.5 L/min) @ 60 psi

Cartridge Type: Ceramic Disc

Swivel Spout: No

Drain Type: Metal push-pop with overflow

ASME A112.18.1/CSA B125.1, NSF/ANSI 372, NSF/ANSI 61, NSF/ANSI/CAN 61, NSF/ANSI/CAN 61-9:Q≤1, ICC/ANSI A117.1, CEC Listed, CALGreen, WaterSense by IAPMO, Massachusetts Accepted, LISTED ID: SHWSCVA107*



ADDITIONAL FEATURES

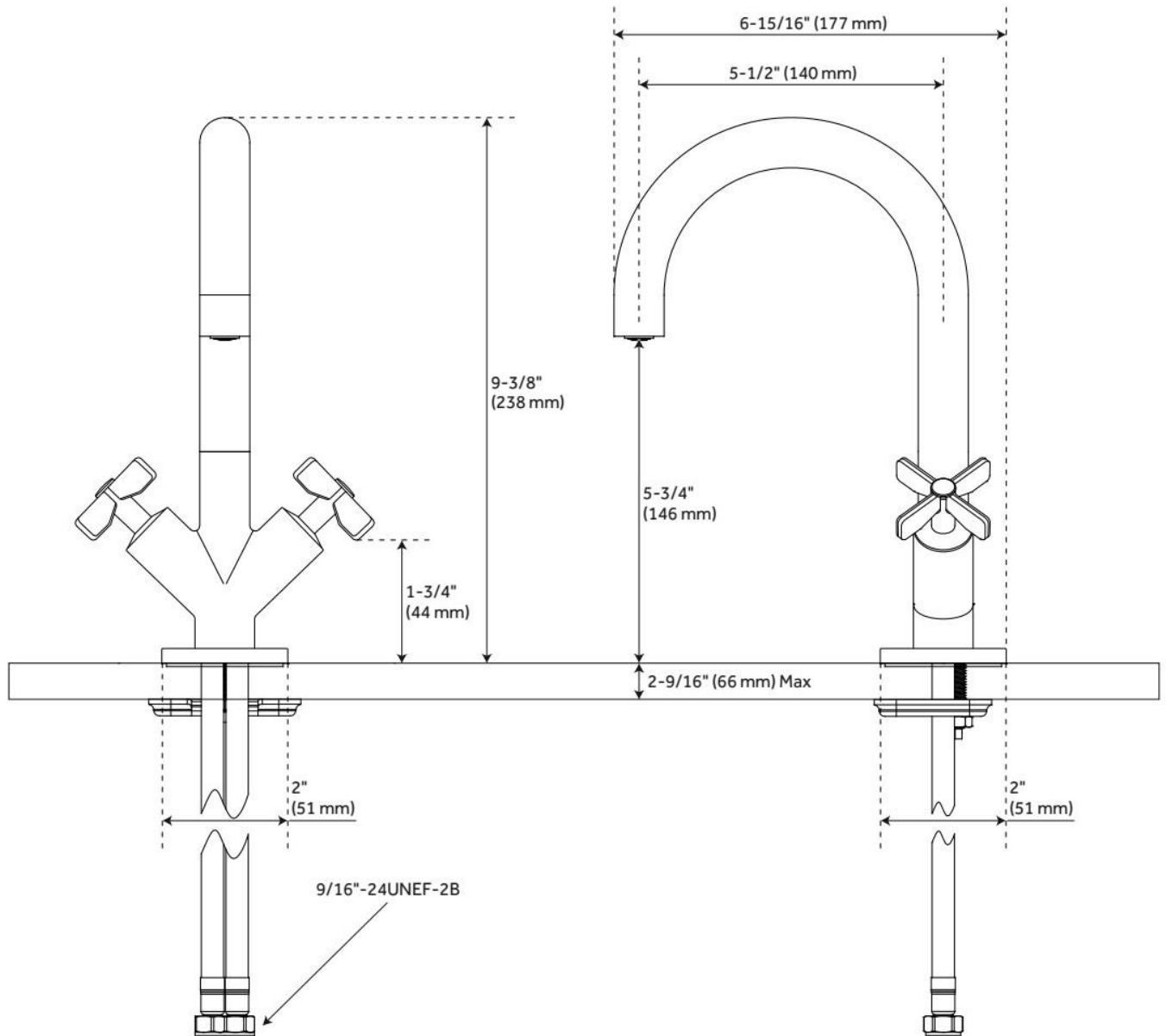
- Included deck plate converts faucet from a single-hole installation to a 4" centerset spread.
- Push-activated brass pop-up overflow drain assembly.
- Metal construction for ultimate strength and durability.

REVISED 5/21/2024

VASSOR SINGLE-HOLE BATHROOM FAUCET

SKU: 953796

Code: SHWSCVA107, SH488903



REVISED 5/21/2024

