

# PROVINCETOWN PRESSURE BALANCE SHOWER SYSTEM WITH HAND SHOWER

SKU: 953885

Code: SHPR8020G, SH4001, SH441155, SHH1010, SHWE2050, SHPR9005N, SH6103



## FEATURES

Shower Head Swivel: Yes

Shower Head Spray: Full, Massage, Massage + Full

Shower Head Flow Rate: 1.8 gpm (6.8 L/min) @ 80 psi

Hand Shower Spray: Rainfall, Massage, Rain + Massage

Hand Shower Flow Rate: 1.8 gpm (6.8 L/min) @ 80 psi

Connection Type: 1/2" MIP and SWT

Diverter Outlets: 3

Cartridge Type: Ceramic Disc

ASME A112.18.1/CSA B125.1, ASME A112.18.2/CSA B125.2, ASSE 1016 Type P, CEC Listed, WaterSense by IAPMO, Massachusetts Accepted, LISTED ID: SHPR9005N\*, SH4001, SH6103, SHH1010\*, SHPR8020G\*, SHWES2050xy, SH441155\*\*



## ADDITIONAL FEATURES

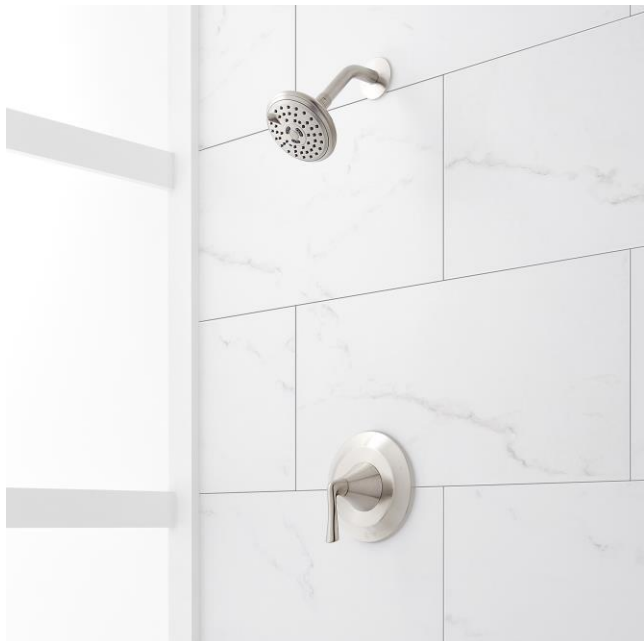
- Metal lever handles.
- 3 function showerhead and hand held (full spray, massage spray and full & massage spray)
- 60" - 72" stretchable metal shower hose.
- Included Rough-in valves:
- Pressure balance valve features a one-piece cartridge design for ease of maintenance, back-to-back capability, a ceramic disc cartridge, cast bronze valve body, adjustable temperature limit stop, a quick remove plaster guard, easy mounting brackets and integral stops.
- Ceramic cartridge.
- Diverter valve features a ceramic disc cartridge and brass valve body. Single-Function CALGreen Diverter Valve Cartridge that restricts water flow to one outlet at a time is available. (SH6150)

REVISED 11/8/2024

# PROVINCETOWN PRESSURE BALANCE SHOWER SET

SKU: 948666

Code: SHPR8020G, SH4001



## FEATURES

Material: Metal

Shower Head Swivel: Yes

Shower Head Spray: Full, Massage, Massage + Full

Shower Head Flow Rate: 1.8 gpm (6.8 L/min) @ 80 psi

Connection Type: 1/2" MIP and SWT

Cartridge Type: Ceramic Disc

ASME A112.18.1/CSA B125.1, ASSE 1016 Type P, CEC Listed, WaterSense by IAPMO, Massachusetts Accepted, LISTED ID: SH4001, SHPR8020G\*



## ADDITIONAL FEATURES

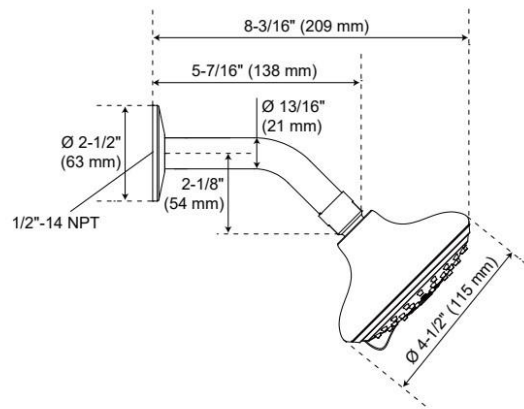
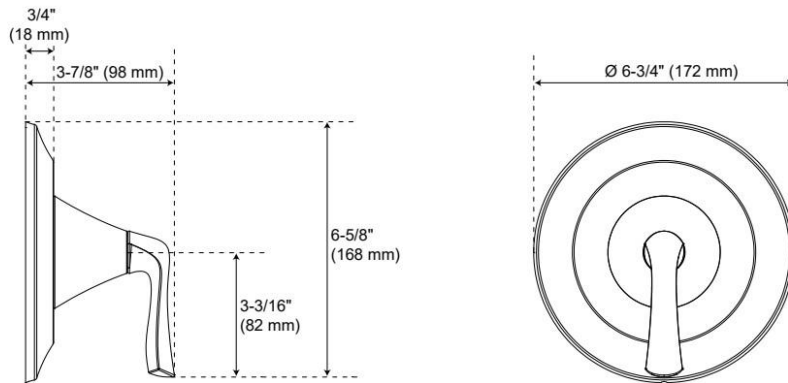
- Metal handle.
- 3 function showerhead (full spray, massage spray and full & massage spray)
- Optional Rough-in Valve:
  - Pressure balance valve with integral stops.
  - One-piece cartridge design for ease of maintenance.
  - Back-to-back capability.
  - Ceramic disc valve cartridge.
  - Cast bronze valve body.
  - Adjustable temperature limit stop.
  - Quick remove plaster guard.
  - Easy mounting brackets.

REVISED 11/5/2024

# PROVINCETOWN PRESSURE BALANCE SHOWER SET

SKU: 948666

Code: SHPR8020G, SH4001



REVISED 11/5/2024

# PRESSURE BALANCE TUB & SHOWER ROUGH-IN VALVE

SKU: 446520  
Code: SH4001



## FEATURES

Material: Bronze  
Flow Rate: 6.34 gpm (24.0 L/min) @ 80 psi  
Connection Type: 1/2" MIP and SWT  
Cartridge Type: Ceramic Disc

IAPMO, ASME A112.18.1/CSA B125.1, ASSE 1016 Type P, Massachusetts Accepted, LISTED ID: SH4001



## ADDITIONAL FEATURES

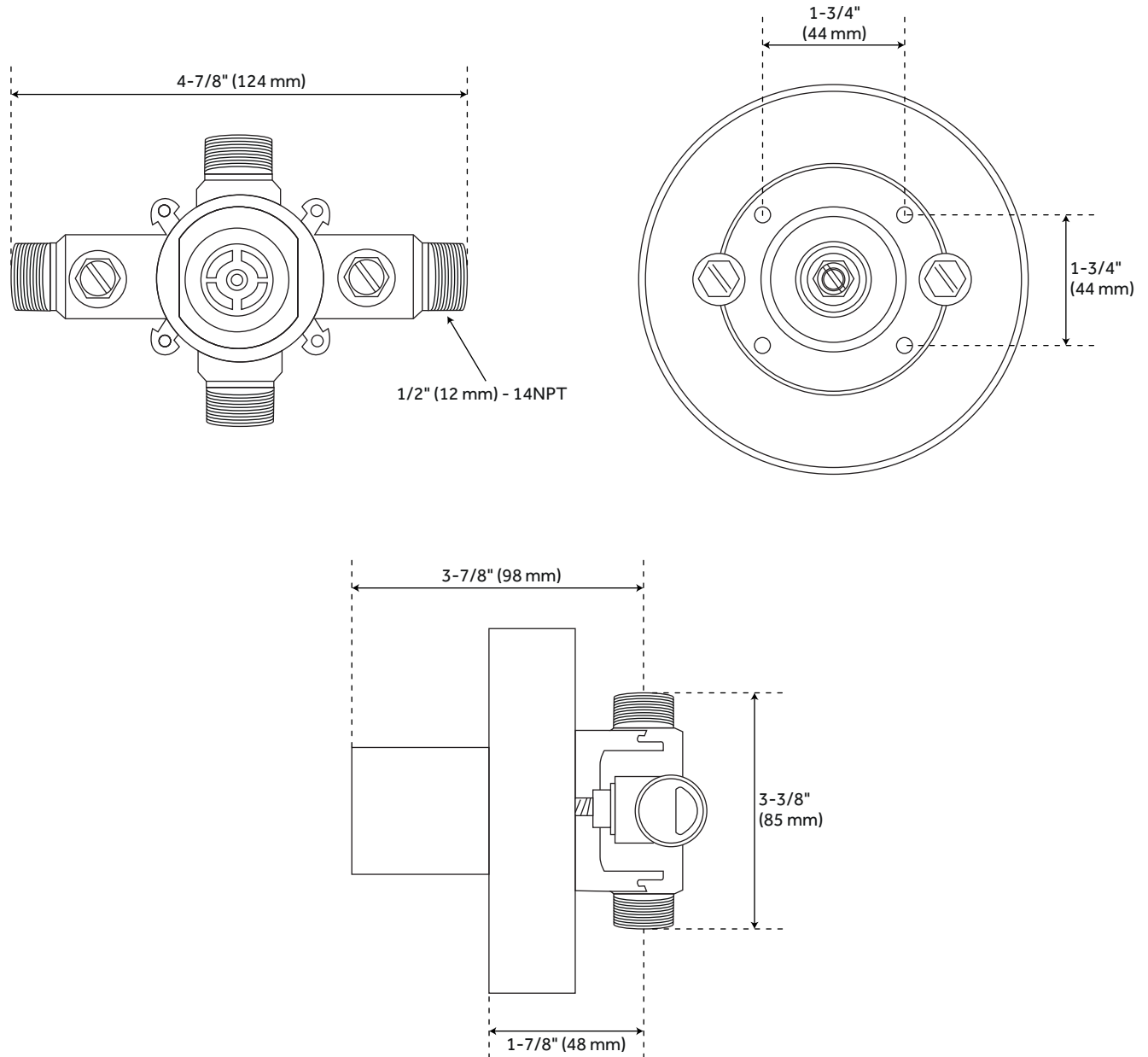
- Compatible with Beasley, Berwyn, Boca Raton, Drea, Edenton, Elita, Greyfield, Gunther, Hibiscus, Key West, Lentz, Lexia, Pendleton, Pinecrest, Provincetown, Rigi, Sefina, Vassor and Vilamonte Pressure Balance Trims.
- Pressure balance valve with integral stops.
- One-piece ceramic cartridge design for ease of maintenance.
- Back-to-back capability
- Cast bronze valve body.
- Adjustable temperature limit stop.
- Quick remove plaster guard and easy mounting brackets.

REVISED 8/14/2024

# PRESSURE BALANCE TUB AND SHOWER ROUGH-IN VALVE

SKU: 446520

SH4001



All dimensions and specifications are nominal and may vary. Use actual products for accuracy in critical situations.

# PROVINCETOWN IN-WALL SHOWER DIVERTER

SKU: 948542

Code: SHPR9005N, SH6103



## FEATURES

Material: Metal

ASME A112.18.1/CSA B125.1, ASME A112.18.2/CSA B125.2, ICC/ANSI A117.1, Massachusetts Accepted, LISTED ID: SHPR9005N\*, SH6103



## ADDITIONAL FEATURES

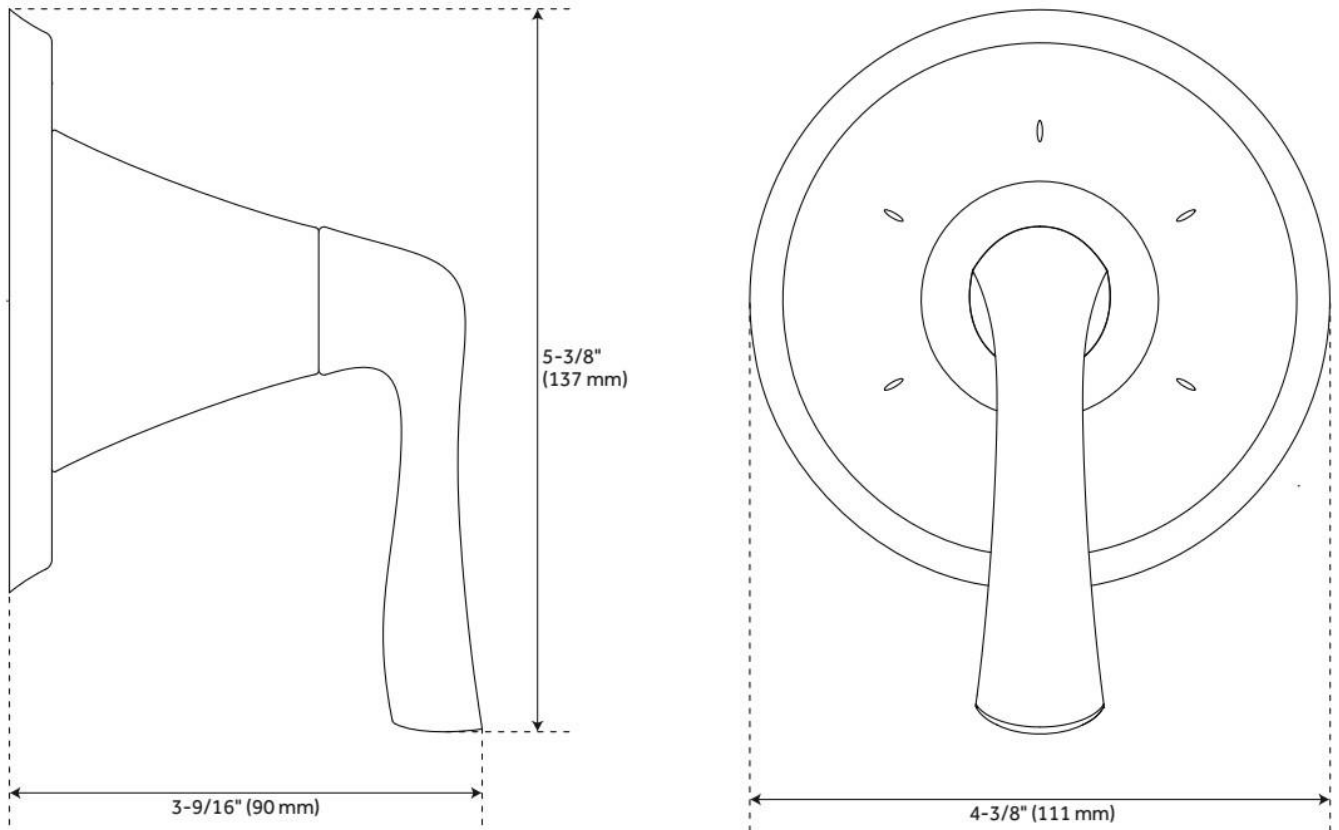
- Six total settings allow for shared water flow between outlets, giving you the ability to use two functions at once.
- Available Single-Function Diverter Valve Cartridge restricts water flow to one outlet at a time.
- Not intended as a shut off valve.

REVISED 10/2/2024

# PROVINCETOWN IN-WALL SHOWER DIVERTER

SKU: 948542

Code: SHPR9005N, SH6103



REVISED 10/2/2024

# 4.6" ROUND MULTIFUNCTION 1.75 GPM HAND SHOWER

SKU: 955103-175

Code: SH441155

## FEATURES

Material: ABS

Hand Shower Spray: Full, Massage, Pulse

Hand Shower Flow Rate: 1.75 gpm (6.6 L/min) @ 80 psi



ASME A112.18.1/CSA B125.1, CEC Listed, WaterSense by IAPMO, Massachusetts Accepted, LISTED ID: SH441155\*\*



## ADDITIONAL FEATURES

- Hand Shower Includes Backflow Prevention
- Easy clean rubber nozzles

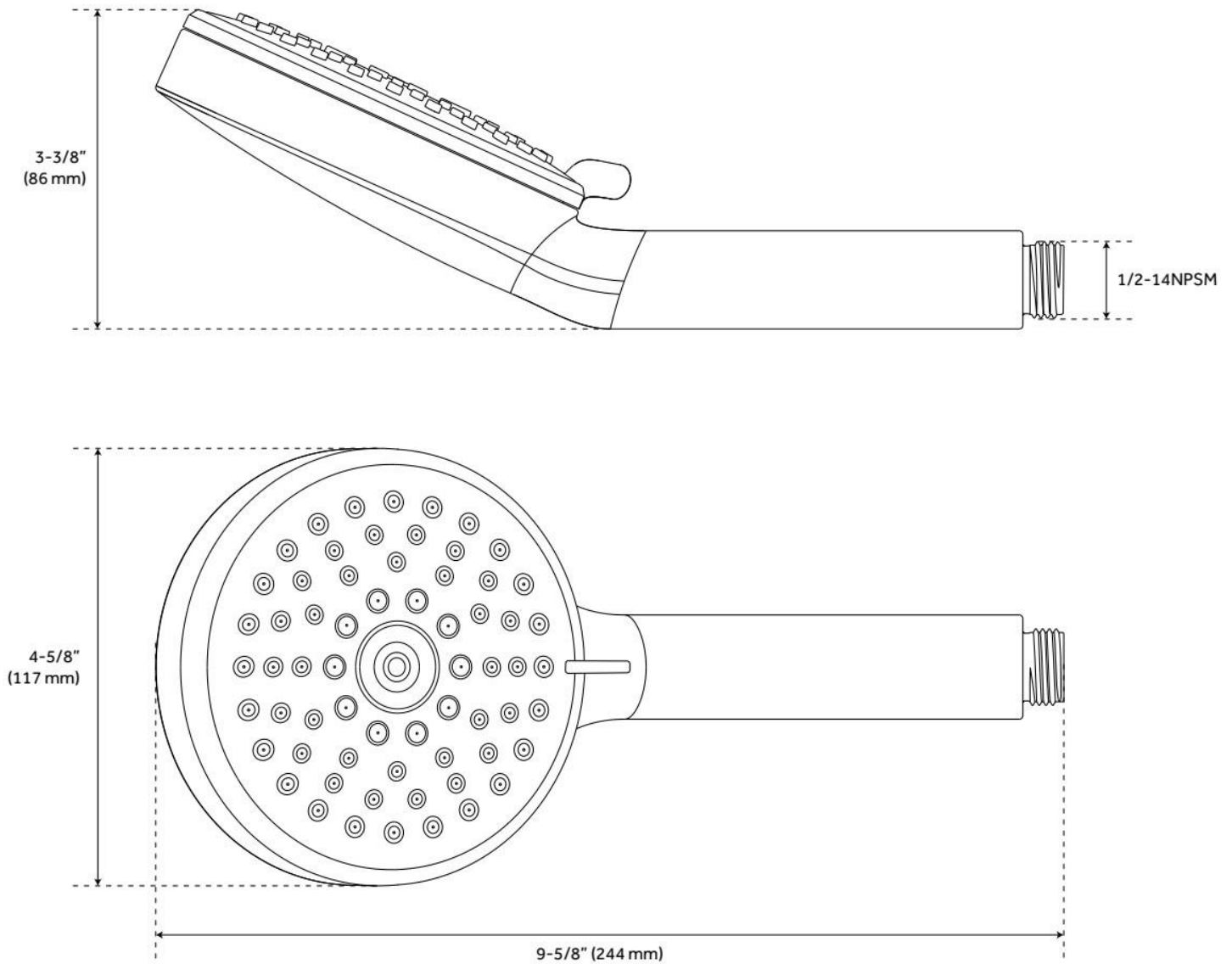
REVISED 10/1/2024



# 4.6" ROUND MULTIFUNCTION 1.75 GPM HAND SHOWER

SKU: 955103-175

Code: SH441155



REVISED 10/1/2024

# SWIVEL WATER SUPPLY ELBOW AND BRACKET FOR HAND SHOWER

SKU: 948936

Code: SHWES2050, SH485446, SH485535

## FEATURES

Material: Metal, ABS

Connection Type: 1/2" NPT



ASME A112.18.1/CSA B125.1, LISTED ID: SHWES2050xy



## ADDITIONAL FEATURES

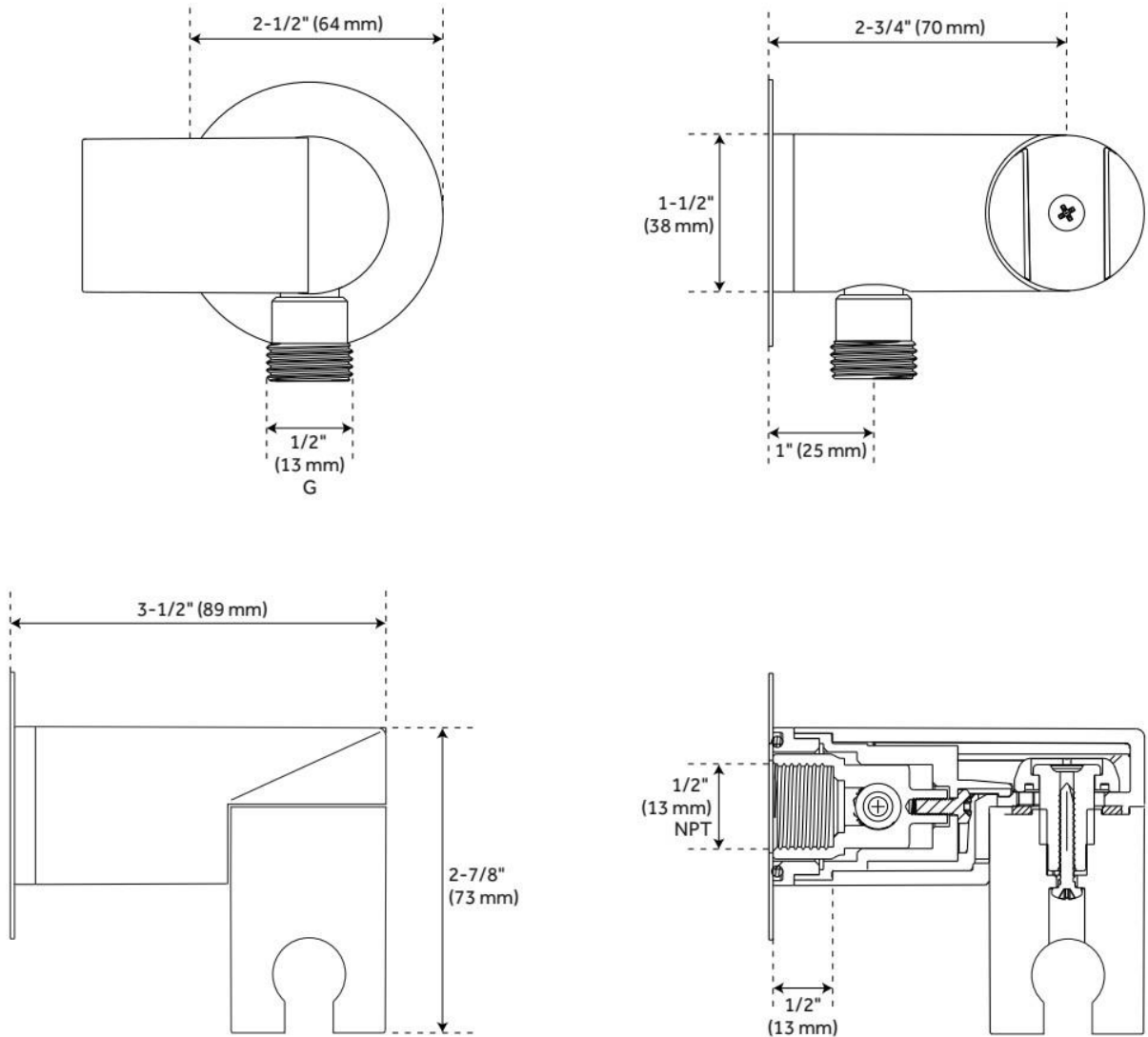
- 1/2" Female wall connection.
- 1/2" Male hose connection.
- Brass inlet/outlet, ABS body.

REVISED 5/24/2024

# SWIVEL WATER SUPPLY ELBOW AND BRACKET FOR HAND SHOWER

SKU: 948936

Code: SHWES2050, SH485446, SH485535



REVISED 5/24/2024

# 60" STRETCHABLE METAL HAND SHOWER HOSE

SKU: 948938

Code: SHH1010, SH484205, SH485500

## FEATURES

Material: Metal

Connection Type: 1/2" IPS



ASME A112.18.1/CSA B125.1, Massachusetts Accepted, LISTED ID: SHH1010\*



## ADDITIONAL FEATURES

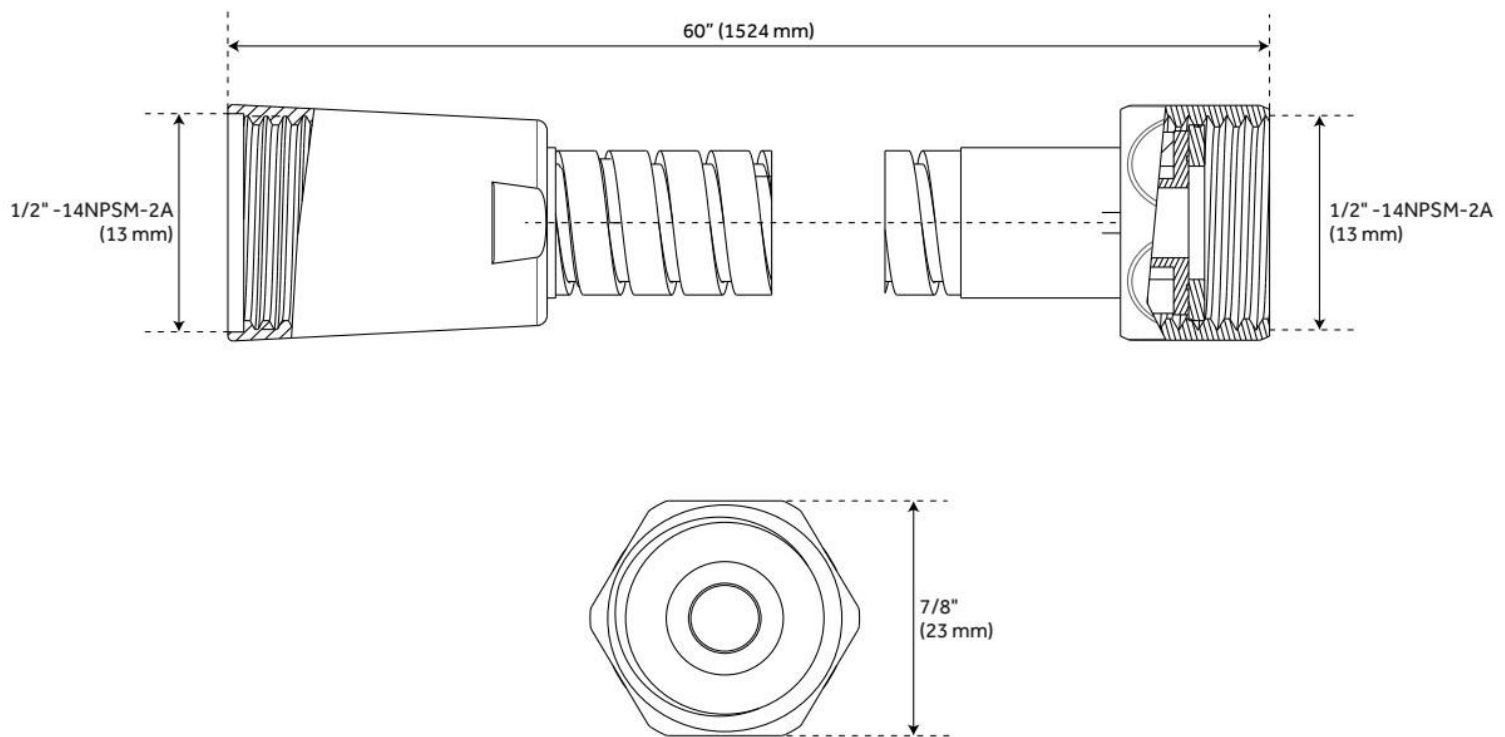
- 60" - 72" stretchable metal shower hose.
- Double spiral construction.
- Metal conical nut.

REVISED 10/2/2024

# 60" STRETCHABLE METAL HAND SHOWER HOSE

SKU: 948938

Code: SHH1010, SH484205, SH485500



REVISED 10/2/2024

# 3-WAY IN-WALL DIVERTER ROUGH-IN VALVE

SKU: 953056  
Code: SH6103, SH6101

## FEATURES

Material: Brass



ASME A112.18.1/CSA B125.1, ASME A112.18.2/CSA B125.2, Massachusetts Accepted, LISTED ID: SH6103, SH6101



## ADDITIONAL FEATURES

- Six total settings allow for shared water flow between outlets, giving you the ability to use two functions at once.
- Ceramic cartridge.
- Available Single-Function Diverter Valve Cartridge restricts water flow to one outlet at a time.
- Not intended as a shut off valve.
- For installations only requiring 2 outlets, the 3rd outlet may be looped into one of the existing pipes.
- Compatible with Beasley, Berwyn, Boca Raton, Drea, Edenton, Elita, Greyfield, Gunther, Hibiscus, Key West, Lentz, Lexia, Pendleton, Pinecrest, Provincetown, Rigi, Sefina, Vassor and Vilamonte Diverter Trims.

REVISED 10/2/2024

