

60" RAKSHA DOUBLE-WALL HAMMERED COPPER SOAKING TUB

SKU: 953284

Code: SH484137, SH484212, SH484213, SH484214, SH484215, SH484216, SH484217, SH484218, SH484219, SH484220



ASME A112.18.2/CSA B125.2
CSA B45.12/IAPMO Z402



FEATURES

Design: Modern
Product Finish: Antique Copper Patina
Length: 60"
Width: 30"
Height: 34"
Water Depth To Overflow: 24-3/8"
Exterior Treatment: Hammered
Interior Treatment: Hammered
Metal Gauge/Thickness: 14 Gauge
Drain Included: Optional
Faucet Included: No
Shape: Oval
Tub Overflow: Yes
Tub Material: Copper
Tub Interior Length: 28-1/2"
Tub Interior Width: 23-1/2"
Tap Deck: No
Faucet Drillings: No Drillings
Tub Weight Uncrated (lbs): 310
Tub Weight Crated (lbs): 260
Recommended Accessory: 7894580

REVISED 3/14/2024

60" RAKSHA DOUBLE-WALL HAMMERED COPPER SOAKING TUB

SKU: 953284

Code: SH484137, SH484212, SH484213, SH484214, SH484215, SH484216, SH484217, SH484218, SH484219, SH484220

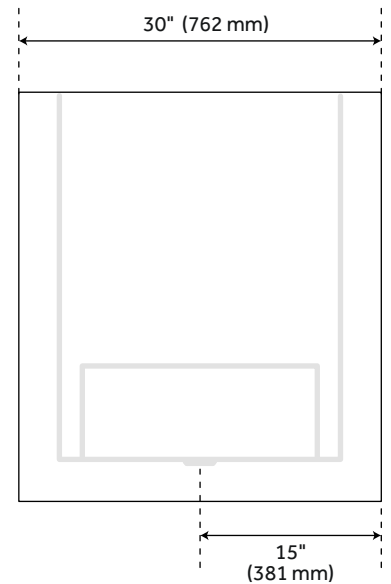
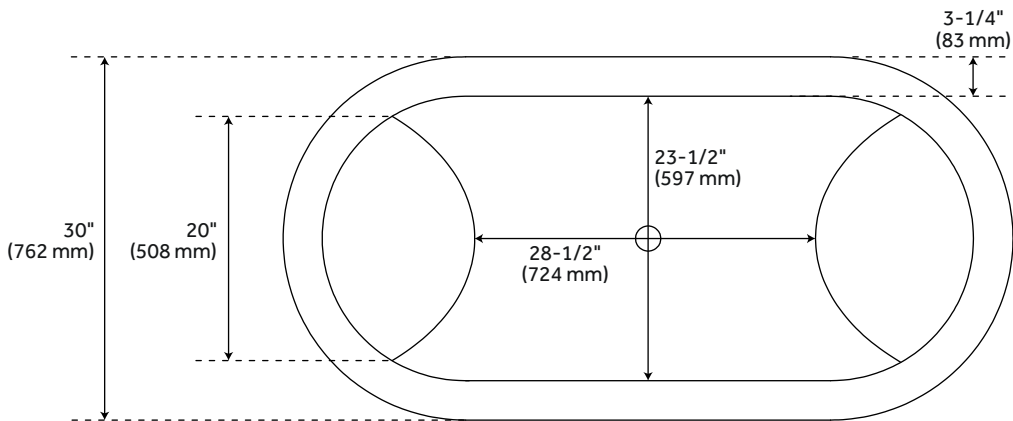
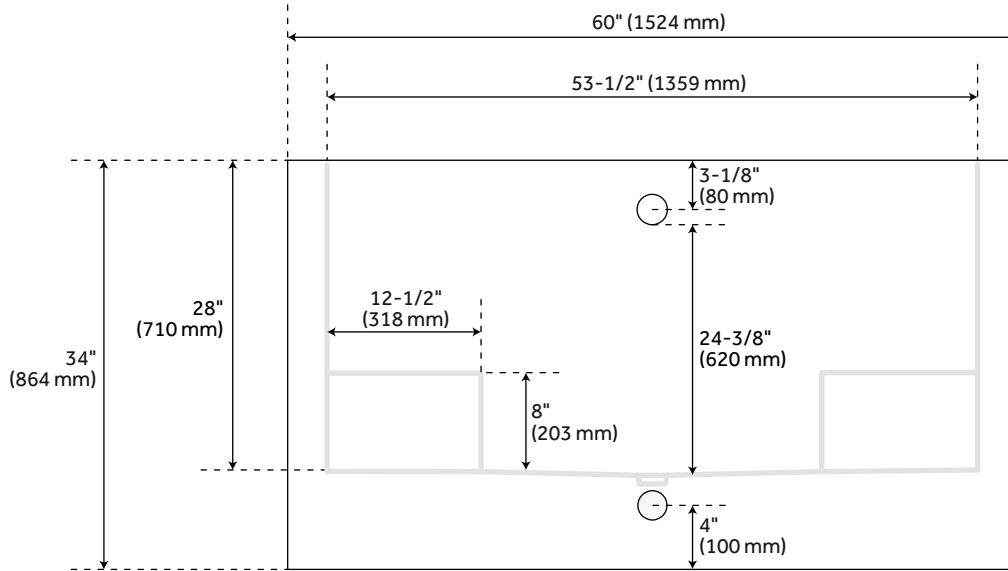


ADDITIONAL FEATURES

- Made of 14-gauge copper.
- Hand-polished finish.
- Patina applied using French hot process, so color is ingrained in the copper.
- Tubs are handmade and therefore unique. Expect slight variations in finish and dimensions ($\pm 1"$).
- Requires wall- or floor-mount tub filler.
- Overflow drain includes a Standard overflow which remains open to allow water into the drain.
- Insulation option: increases heat retention and prevents condensation due to water and air temperature fluctuations.
- To keep the tub in premium condition, it is recommended to not use anything abrasive for bathing or cleaning, including products like Epsom salts, bristle brushes, and harsh soaps.
- Optional Quick Connect Drop-In Drain Kit Includes:
 - Floor Plate, 1-1/2" PVC Pipe, 2" x 1-1/2" Trap Adapters, 1 Brass Threaded, 1 Brass Unthreaded Tailpiece and Plug.
- Installs above your subfloor, but underneath your cement floor or tile, so you do not need access below the fixture.

REVISED 3/14/2024

60" RAKSHA DOUBLE-WALL HAMMERED COPPER SOAKING TUB



All dimensions and specifications are nominal and may vary. Use actual products for accuracy in critical situations.