

ARNELLE DUAL-FLUSH WALL-MOUNT ELONGATED TOILET

SKU: 953819

Code: SH484210, SH484128, SH484130, SH484131, SH484132



FEATURES

Material: Vitreous China
Product Finish: White
Toilet Style: 1-Piece
Flush Handle Location: Wall
Bowl Height: 15" to 20-3/4"
Bowl Shape: Elongated
Gallons Per Flush: Dual Flush - 1.6 / 1.1 GPF (6.0 / 4.1 LPF)
Flush Type: Gravity
Trapway Diameter: 2-1/8"
Seat Included: Yes
Water Spot: 4-7/8" x 3-7/8"

Optional Accessory: SH111003FABG, SH111003FAMB,
SH111003FAMC, SH111003FAWH

ASME A112.19.2/CSA B45.1, WaterSense by IAPMO, LISTED ID: SH111003-B-WC, SH111003-B-WC, SH111003WC



ADDITIONAL FEATURES

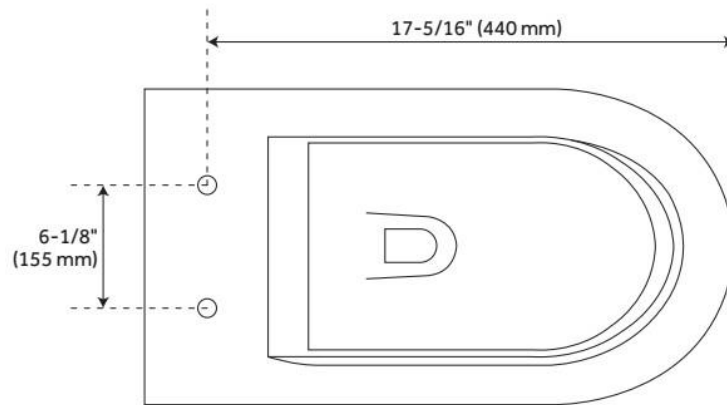
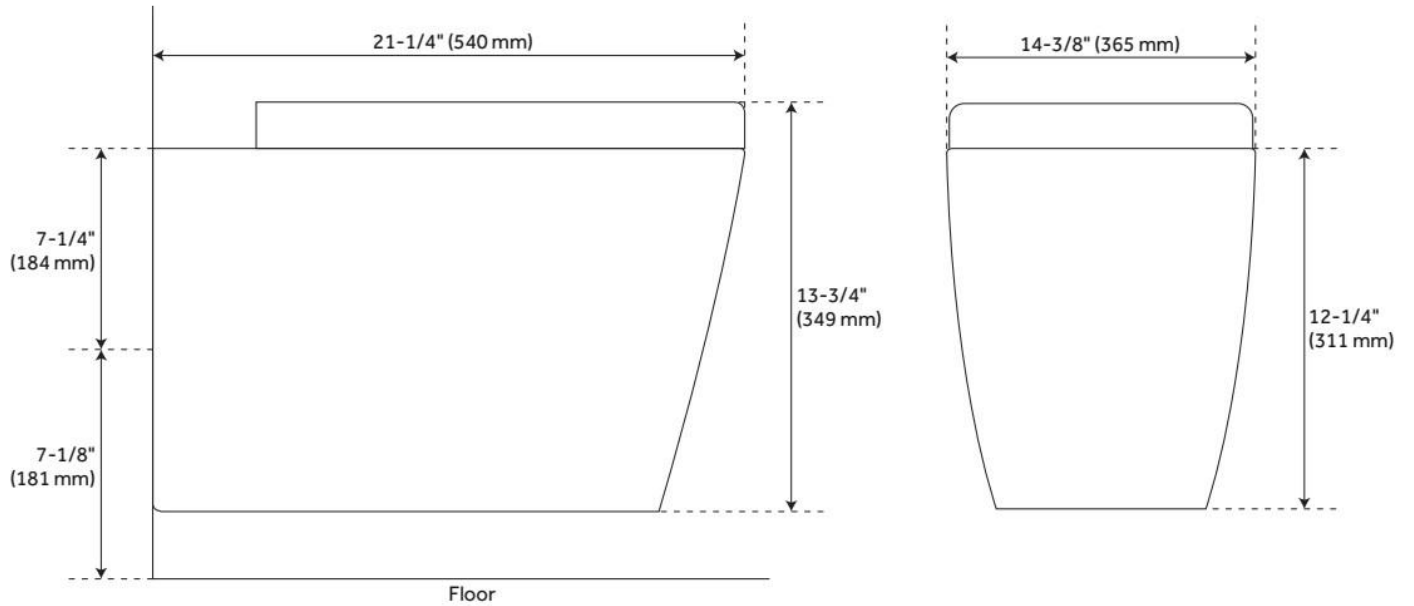
- Insulated tank.
- Removable actuator plate for tank maintenance.
- Install at an adjustable height from 15" to 20-3/4".
- In-wall carrier required for installation.
- Dual-flush toilet. 1.08 / 1.6 gallons per flush.
- Max Weight: 881 Pounds.
- Compatible with Geberit carriers: 111.335 / 111.798 / 111.012

REVISED 7/17/2024

ARNELLE DUAL-FLUSH WALL-MOUNT ELONGATED TOILET

SKU: 953819

Code: SH484210, SH484128, SH484130, SH484131, SH484132

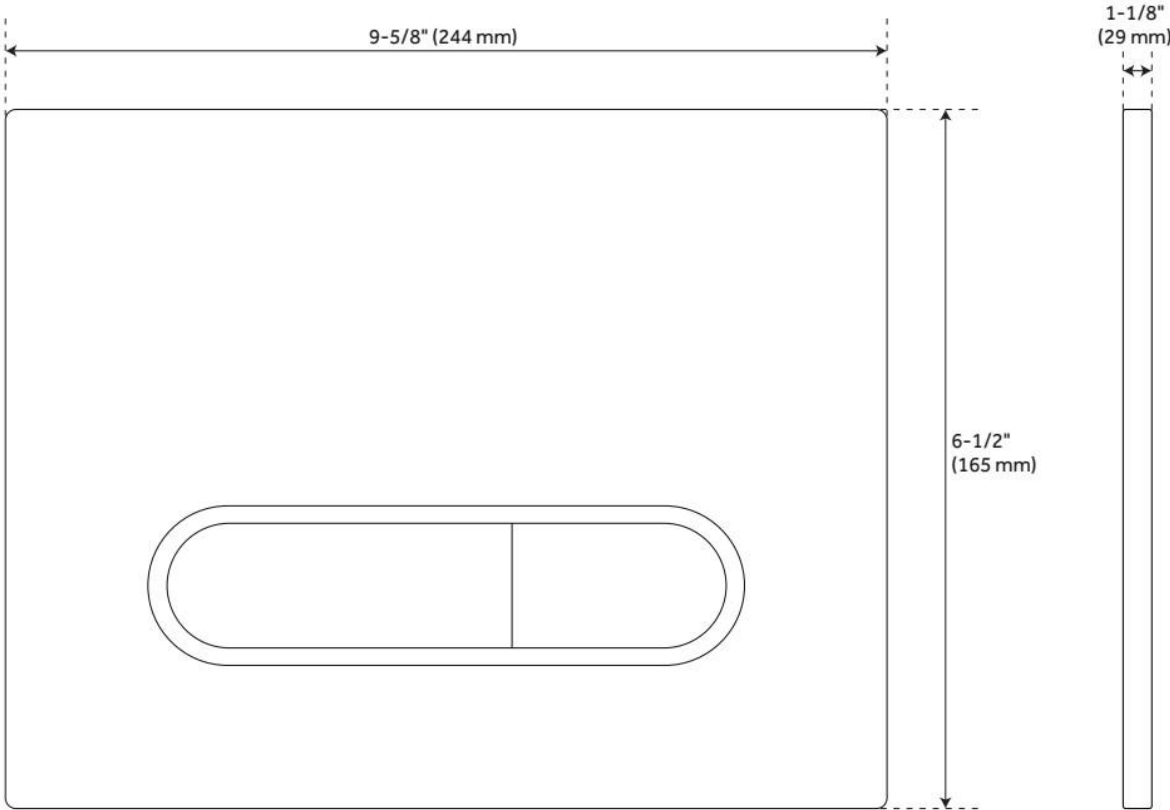


REVISED 7/17/2024

ARNELLE DUAL-FLUSH WALL-MOUNT ELONGATED TOILET

SKU: 953819

Code: SH484210, SH484128, SH484130, SH484131, SH484132



REVISED 7/17/2024

CONCEALED IN-WALL TANK CARRIER FOR WALL MOUNT TOILET

SKU: 953818

Code: SH484123, SH484125, SH484126, SH484127



FEATURES

Material: Vitreous China
Toilet Style: Wall-Hung
Flush Handle Location: Wall
Bowl Height: 15" to 20-3/4"
Gallons Per Flush: Dual Flush - 1.6 / 1.1 GPF (6.0 / 4.1 LPF)
Flush Type: Gravity
Flush Valve Size: 1-1/2"
Seat Included: No

ASME A112.19.2/CSA B45.1, WaterSense by IAPMO, LISTED ID: SH111003-B-WC Must be kitted with certified bowl, SH111003-B-WC



ADDITIONAL FEATURES

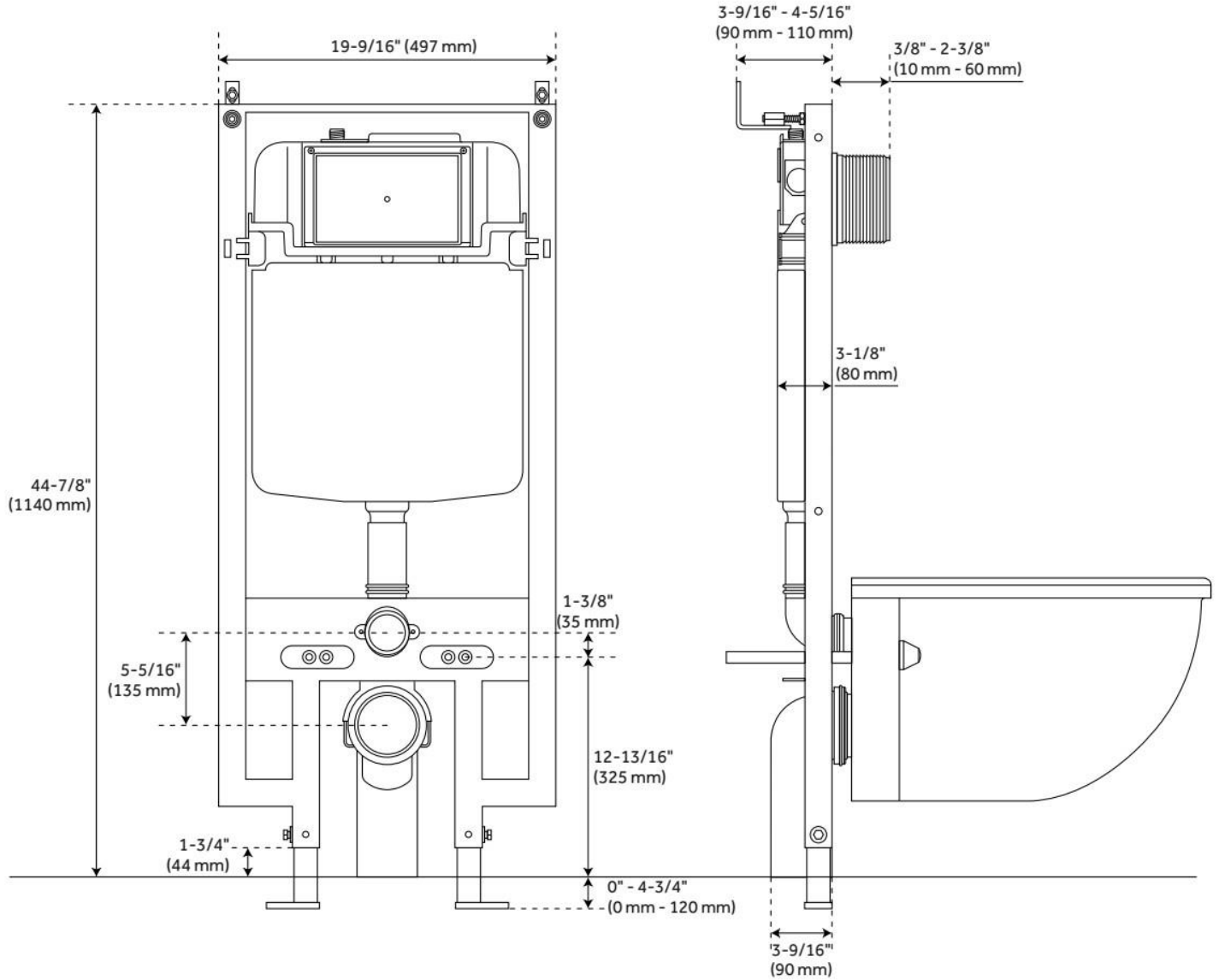
- Dual-flush toilet. 1.08 / 1.6 gallons per flush.
- Compatible with the Arnelle Wall-Mount Toilet.
- Bowl sold separately.

REVISED 7/17/2024

CONCEALED IN-WALL TANK CARRIER FOR WALL MOUNT TOILET

SKU: 953818

Code: SH484123, SH484125, SH484126, SH484127



REVISED 7/17/2024