

ARNELLE DUAL-FLUSH WALL-MOUNT ELONGATED TOILET

SKU: 953819

Code: SH484210,SH484128,SH484130,SH484131,SH484132



FEATURES

Product Finish: White
Material: Vitreous china
Length: 14-3/8"
Height: 13-3/4"
Depth: 21-1/8"
Bowl Shape: Elongated
Gallons Per Flush: 1.6



REVISED 5/10/2024

ARNELLE DUAL-FLUSH WALL-MOUNT ELONGATED TOILET

SKU: 953819

Code: SH484210,SH484128,SH484130,SH484131,SH484132

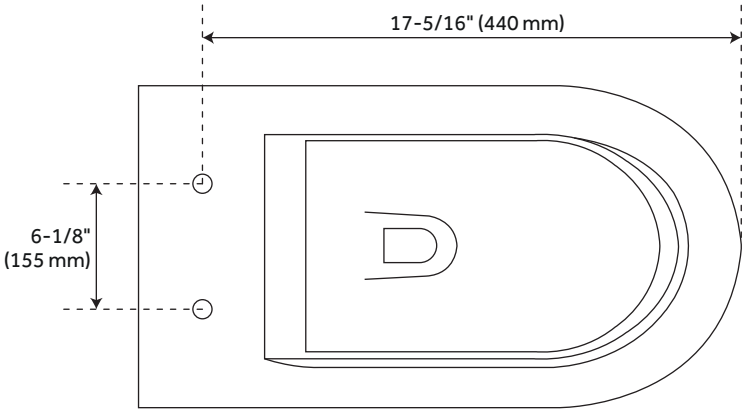
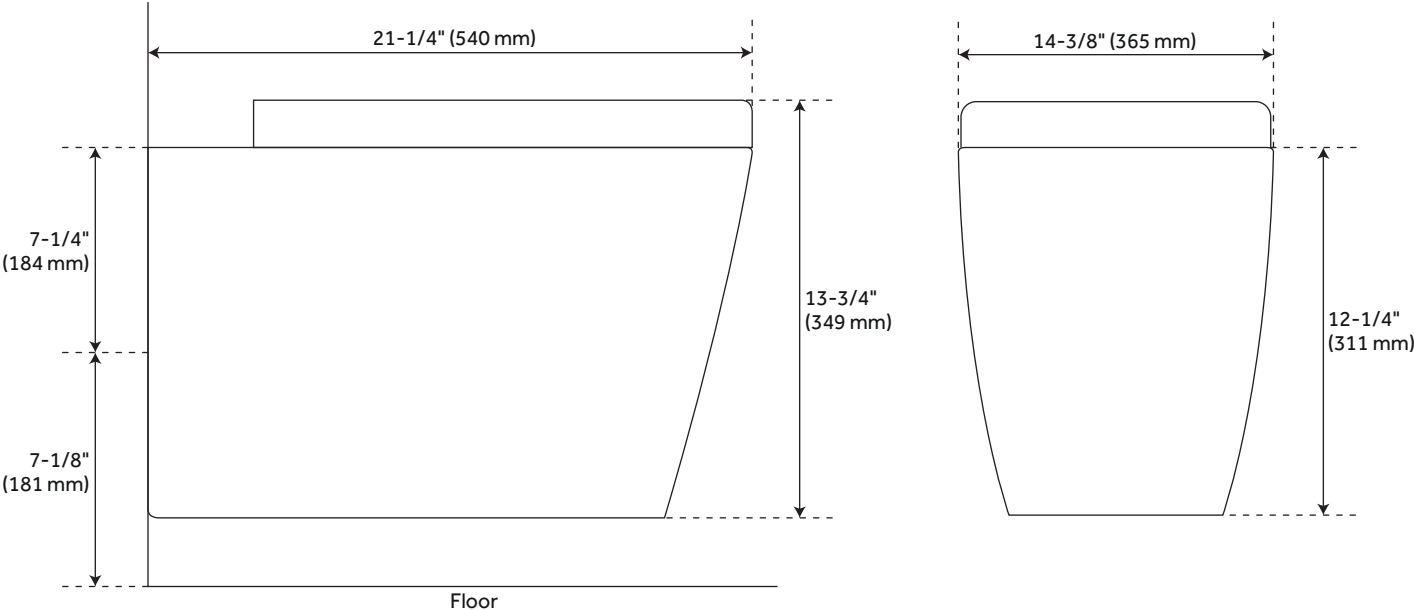


ADDITIONAL FEATURES

- Insulated tank.
- Removable actuator plate for tank maintenance.
- Install at an adjustable height from 15" to 20-3/4".
- In-wall carrier required for installation.
- Dual-flush toilet. 1.08 / 1.6 gallons per flush.
- Max Weight: 881 Pounds.
- Compatible with Geberit carriers: 111.335 / 111.798 / 111.012.

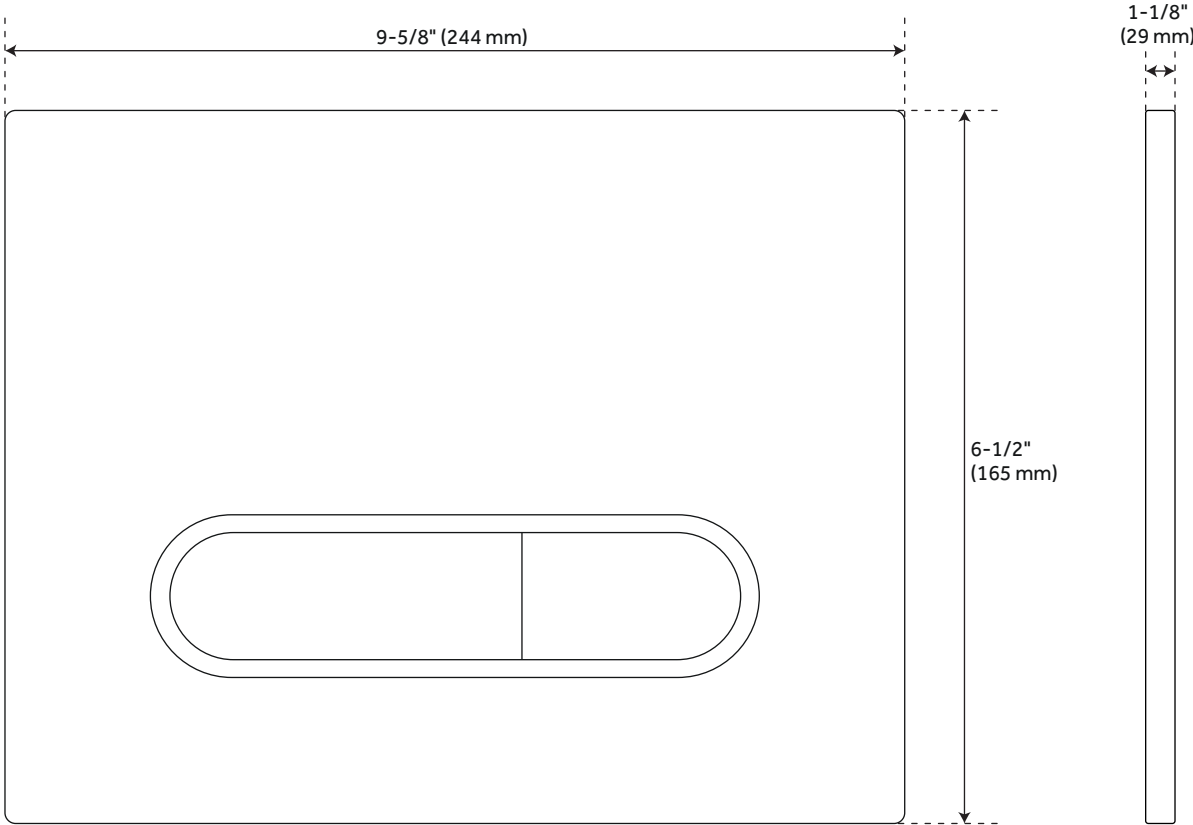
REVISED 5/10/2024

ARNELLE WALL-MOUNT TOILET



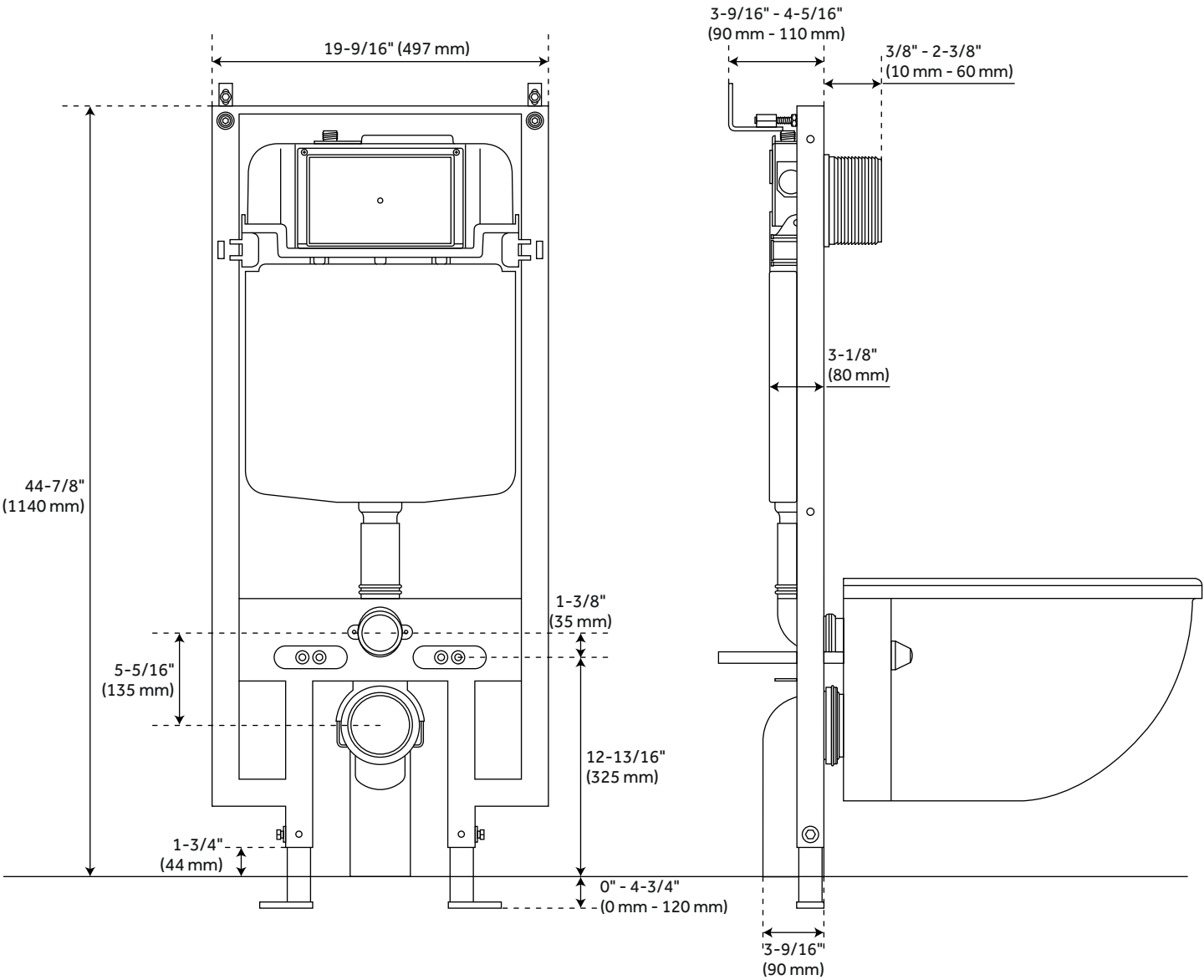
All dimensions and specifications are nominal and may vary. Use actual products for accuracy in critical situations.

ARNELLE ACTUATOR COVER PLATE



All dimensions and specifications are nominal and may vary. Use actual products for accuracy in critical situations.

ARNELLE CONCEALED IN-WALL TANK CARRIER



All dimensions and specifications are nominal and may vary. Use actual products for accuracy in critical situations.