

LEXIA THERMOSTATIC SHOWER VALVE TRIM

SKU: 953773

Code: SHLE9009, SH6004, SH6006, SH488897, SH488932, SH488933



FEATURES

Design: Modern

Material: Metal

Assembly Required: No

Handle Type: Lever

Shower Arm Included: No

Valve Trim Width: 6-11/16"

Valve Trim Height: 6-11/16"

Valve Trim Diameter: 6-11/16"

ASME A112.18.1/CSA B125.1



REVISED 1/23/2024

LEXIA THERMOSTATIC SHOWER VALVE TRIM

SKU: 953773

Code: SHLE9009, SH6004, SH6006, SH488897, SH488932, SH488933

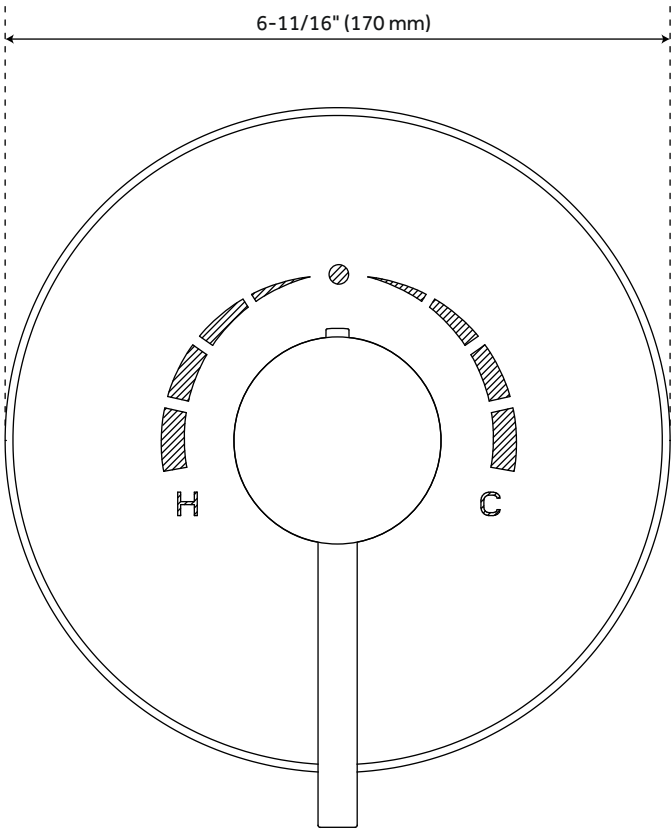
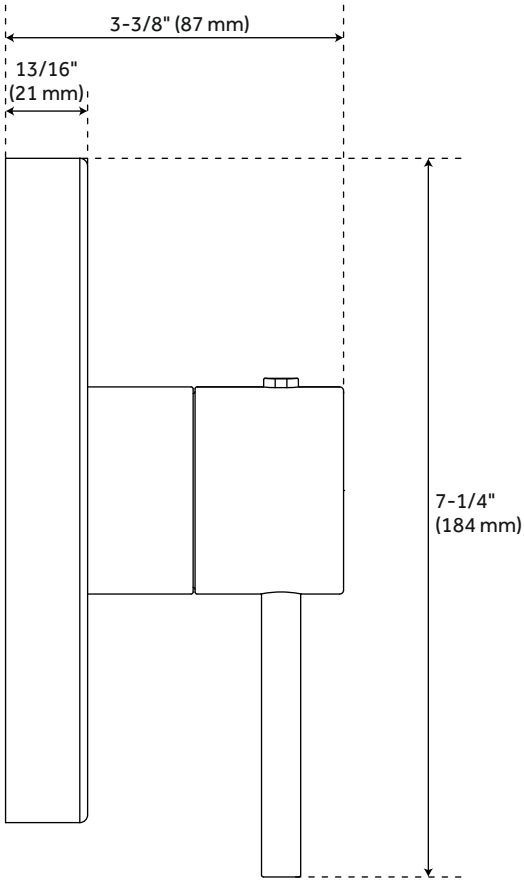


ADDITIONAL FEATURES

- For proper installation, requires use of volume control valve and trim.
- Optional, but required Rough-in valve:
- Bronze valve body.
- Factory-calibrated comfort setting at 104 degrees Fahrenheit.
- Water inlet stops and check valve.
- Thermostatic technology keeps shower temperature.

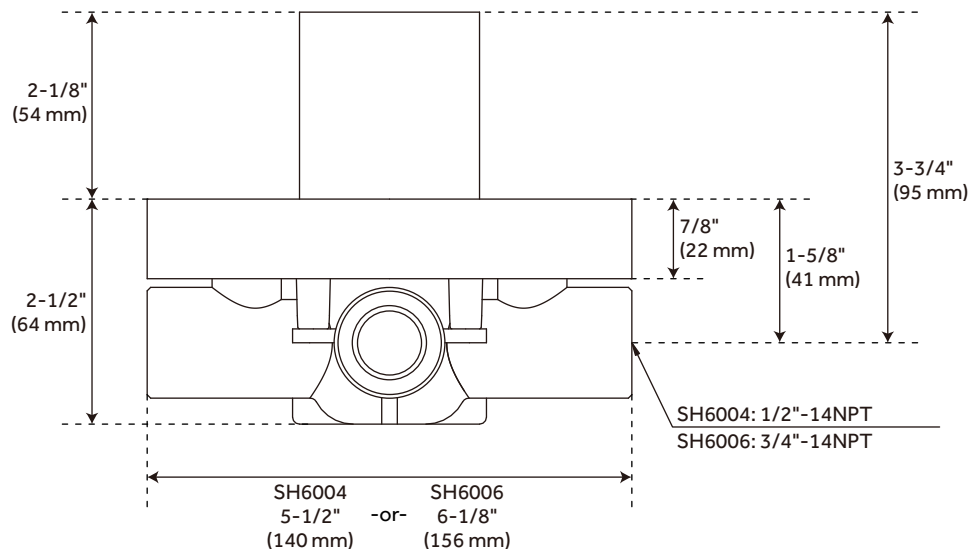
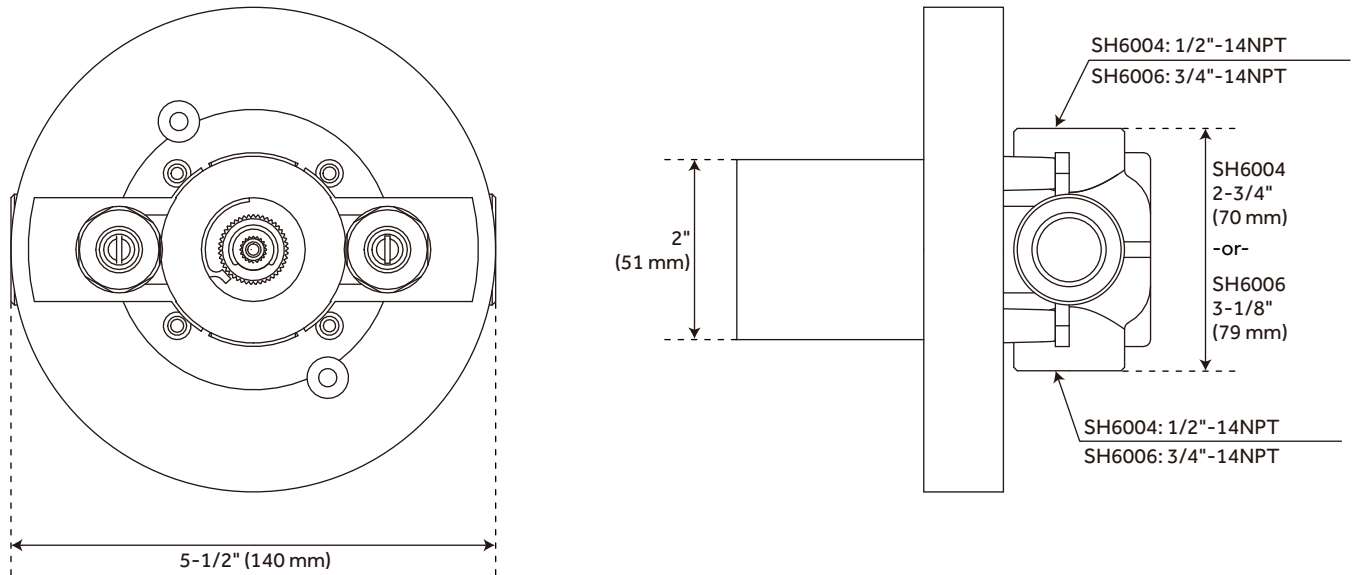
REVISED 1/23/2024

LEXIA THERMOSTATIC SHOWER VALVE TRIM



All dimensions and specifications are nominal and may vary. Use actual products for accuracy in critical situations.

LEXIA OPTIONAL THERMOSTATIC SHOWER ROUGH-IN VALVE



All dimensions and specifications are nominal and may vary. Use actual products for accuracy in critical situations.