

51" BOONE ACRYLIC FREESTANDING TUB

SKU: 929474



CODES/STANDARDS

IAPMO

CSA B45.5/IAPMO Z124



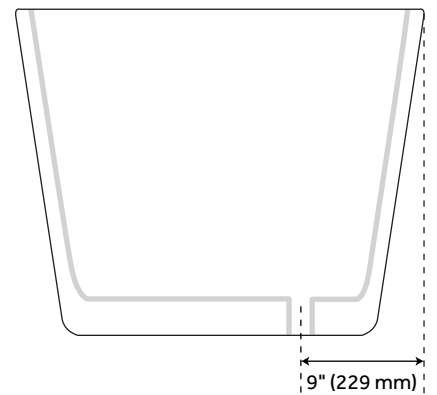
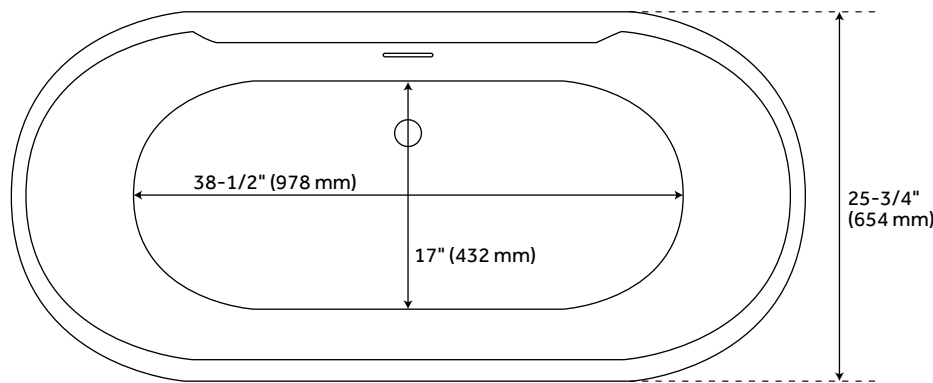
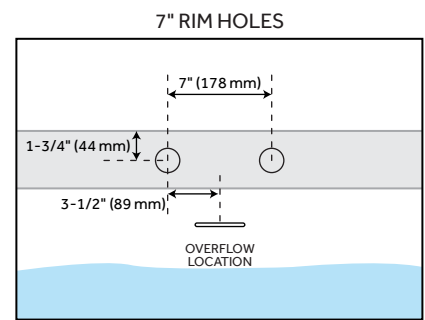
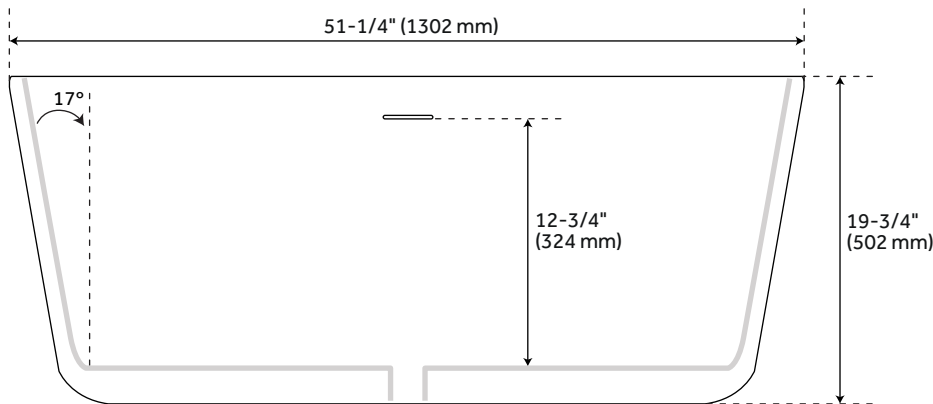
FEATURES

Features: Integral Drain & Overflow
Design: Modern
Product Finish: White
Length: 51-1/4"
Width: 25-3/4"
Height: 19-3/4"
Water Depth To Overflow: 12-3/4"
Exterior Treatment: Smooth
Interior Treatment: Smooth
Drain Included: Yes
Drain Finish: White
Faucet Included: No
Shape: Oval
Size: 51"
Tub Overflow: Yes
Integral Drain & Overflow: Yes
Tub Material: Acrylic
Tub Interior Length: 38-1/2"
Tub Interior Width: 17"
Tap Deck: No
Faucet Drillings: No Drillings
Built-In Adjusters: Yes
Tub Weight Uncrated (lbs): 72
Tub Weight Crated (lbs): 182
Blower: No

Code:
REVISED 6/15/2022

51" BOONE ACRYLIC FREESTANDING TUB

SKU: 929474



All dimensions and specifications are nominal and may vary. Use actual products for accuracy in critical situations.