

BERWYN PRESSURE BALANCE SHOWER SYSTEM WITH HAND SHOWER

SKU: 953656

Code: SH4001, SH6103, SHH1010, SHHS4030G, SHWES2050, SHBW90052, SHRS820R3G, SHBW80102, SHRSA123

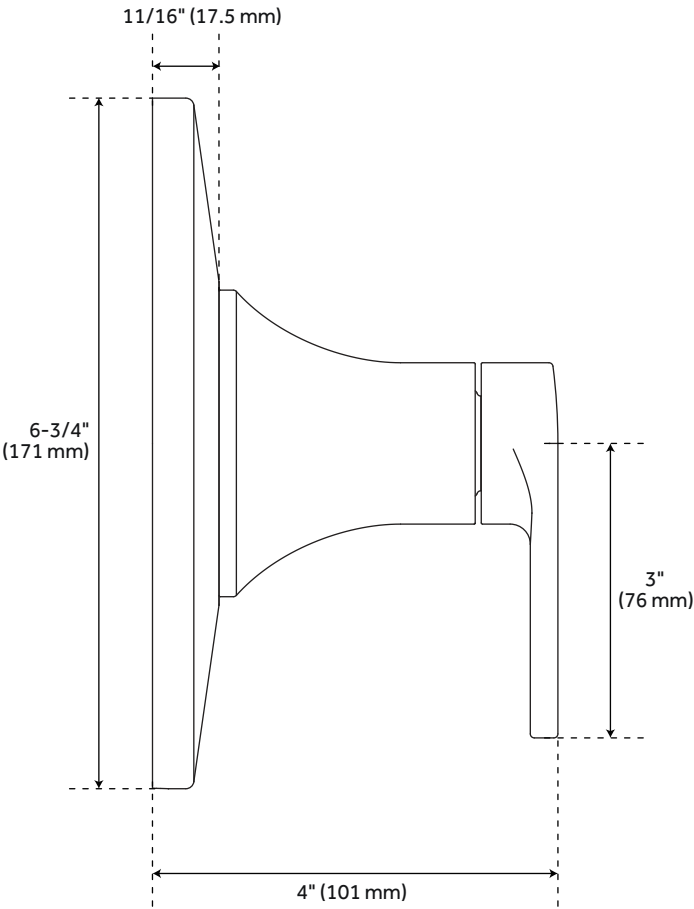
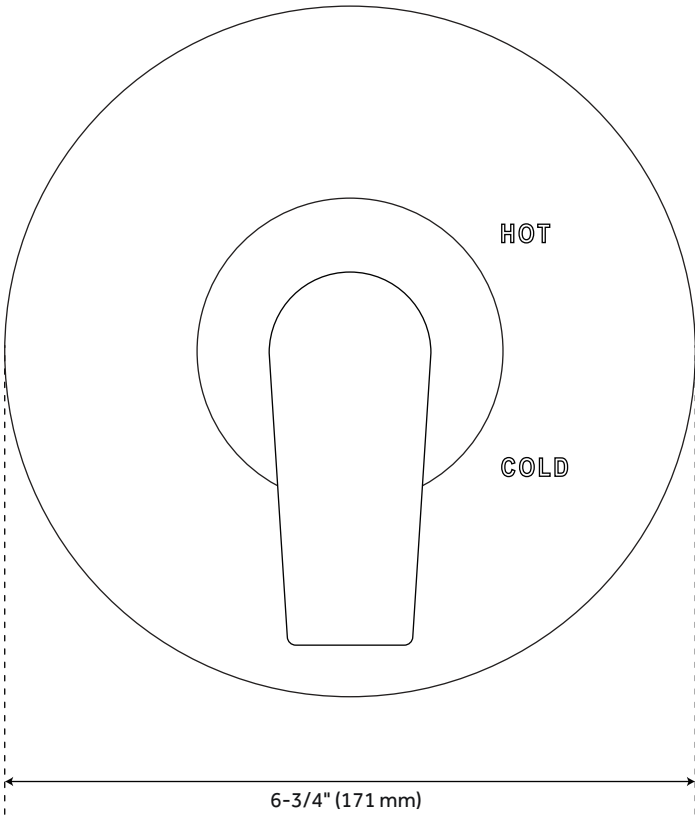


ADDITIONAL FEATURES

- All dimensions are ($\pm 1/2$ ").
- Metal handles.
- 12" shower arm.
- Single function 8" Rainfall shower head.
- Single function hand shower with easy-clean spray nozzles.
- 60" - 72" stretchable metal shower hose.
- Rough-in valves:
 - Pressure balance valve features a one-piece cartridge design for ease of maintenance, back-to-back capability, a ceramic disc cartridge, cast bronze valve body, adjustable temperature limit stop, a quick remove plaster guard, easy mounting brackets and integral stops.
 - Diverter valve features a ceramic disc cartridge and brass valve body. An available Single-Function Diverter Valve Cartridge restricts water flow to one outlet at a time.

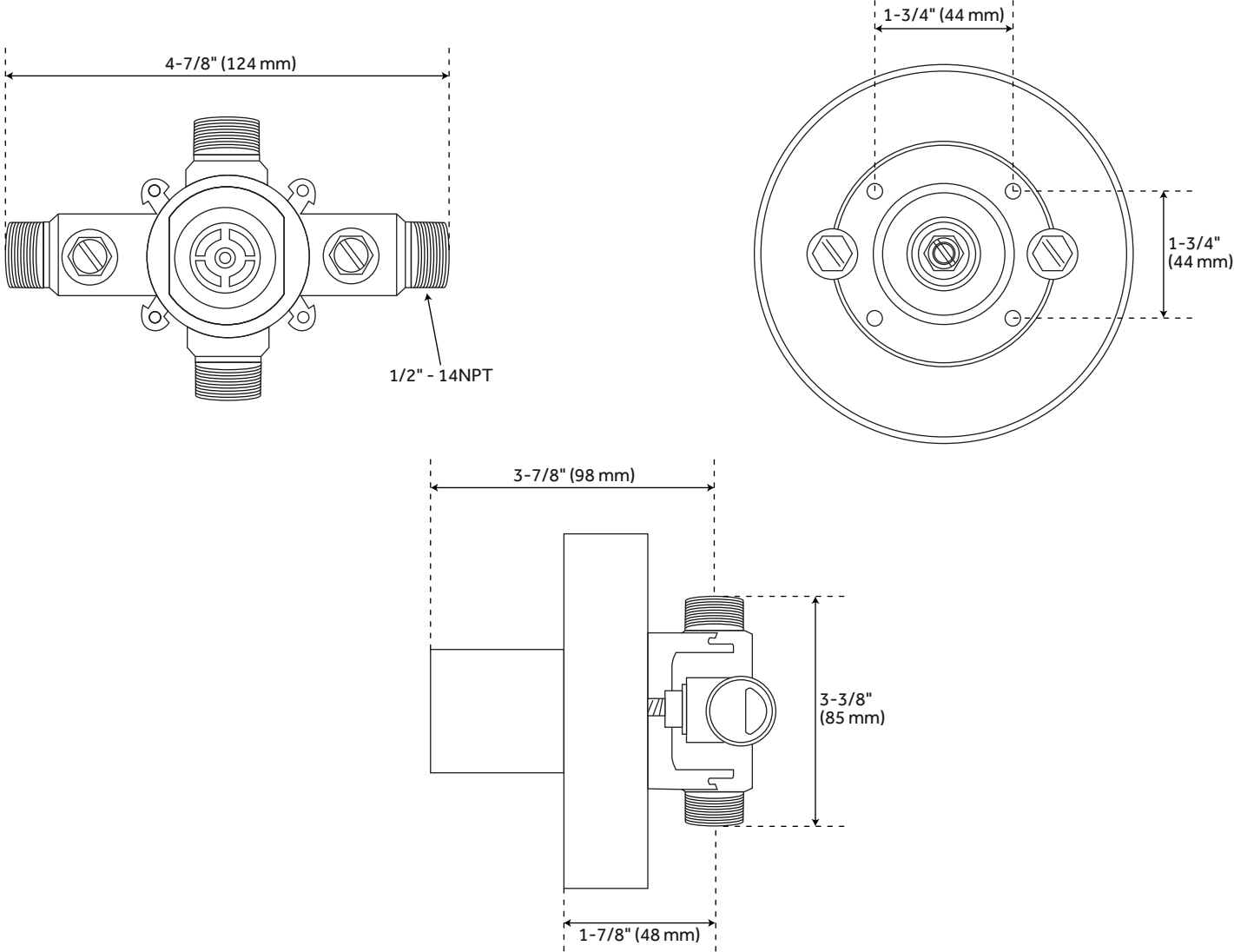
REVISED 1/12/2024

BERWYN PRESSURE BALANCE SHOWER VALVE TRIM



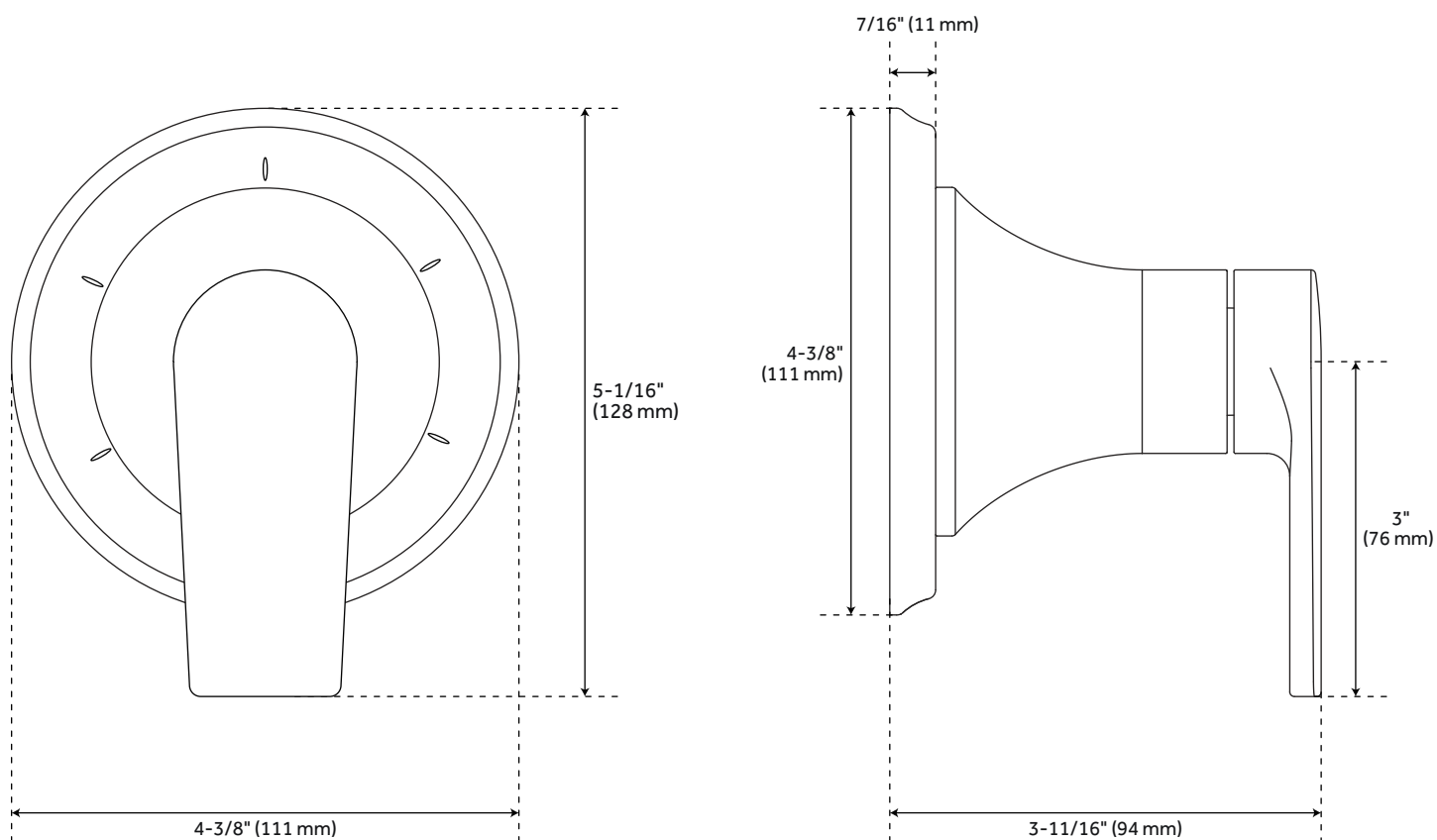
All dimensions and specifications are nominal and may vary. Use actual products for accuracy in critical situations.

PRESSURE BALANCE SHOWER ROUGH-IN VALVE



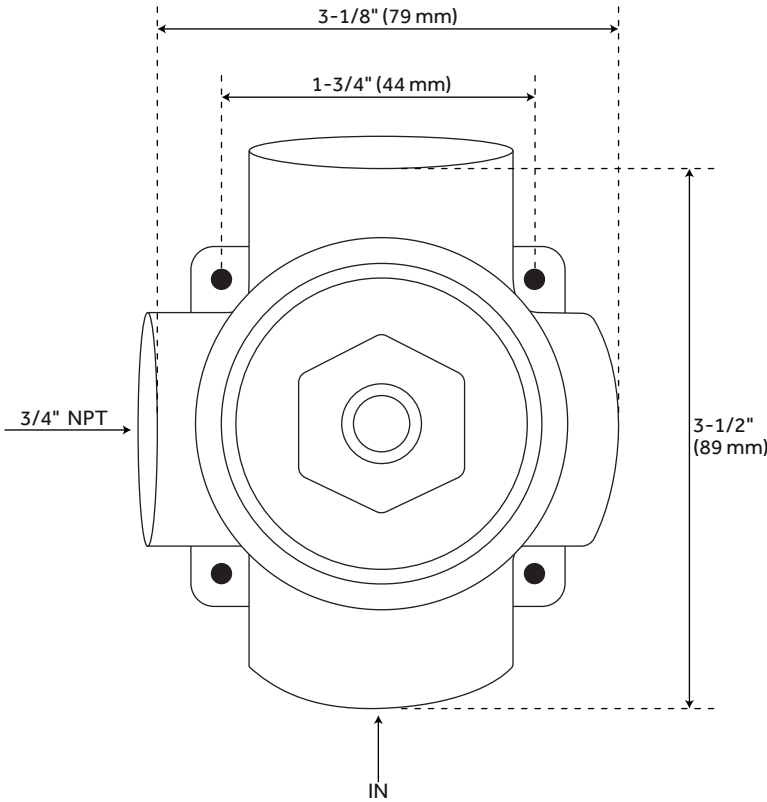
All dimensions and specifications are nominal and may vary. Use actual products for accuracy in critical situations.

BERWYN IN-WALL SHOWER DIVERTER TRIM



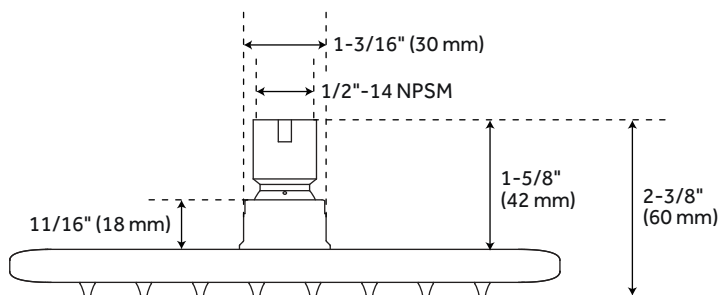
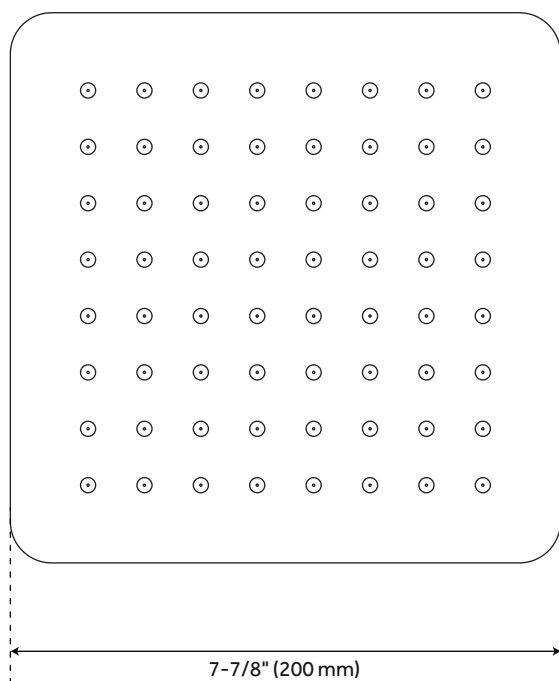
All dimensions and specifications are nominal and may vary. Use actual products for accuracy in critical situations.

3-WAY IN-WALL DIVERTER ROUGH-IN VALVE



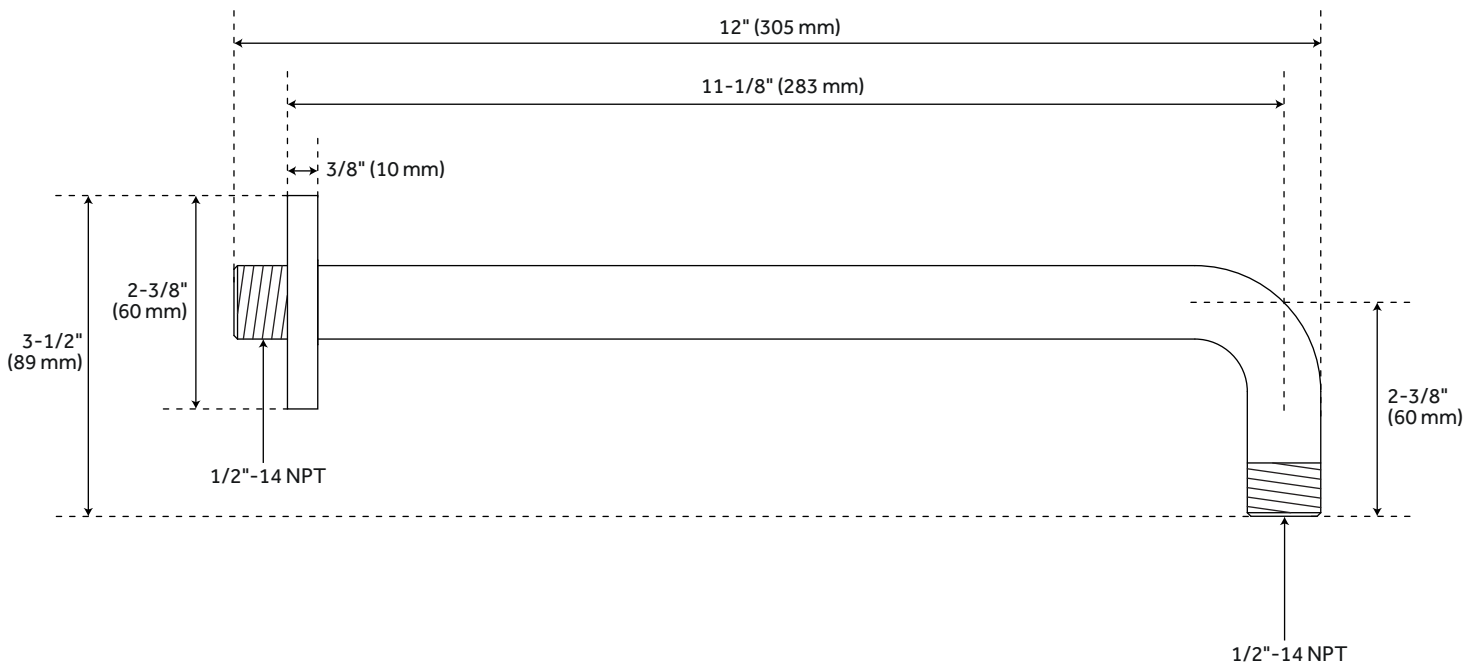
All dimensions and specifications are nominal and may vary. Use actual products for accuracy in critical situations.

BERWYN SOFT SQUARE RAINFALL SHOWER HEAD



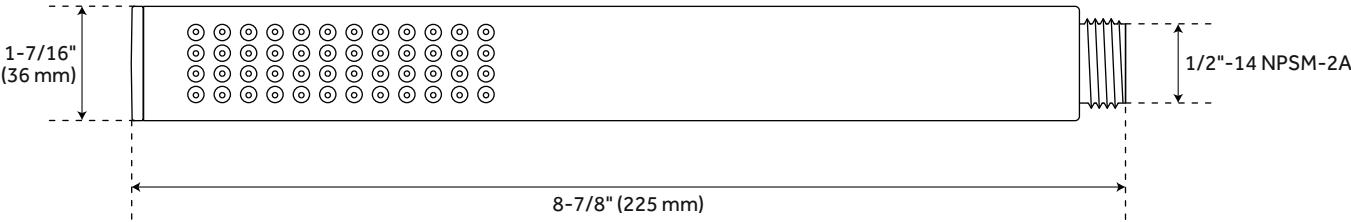
All dimensions and specifications are nominal and may vary. Use actual products for accuracy in critical situations.

BERWYN SHOWER ARM



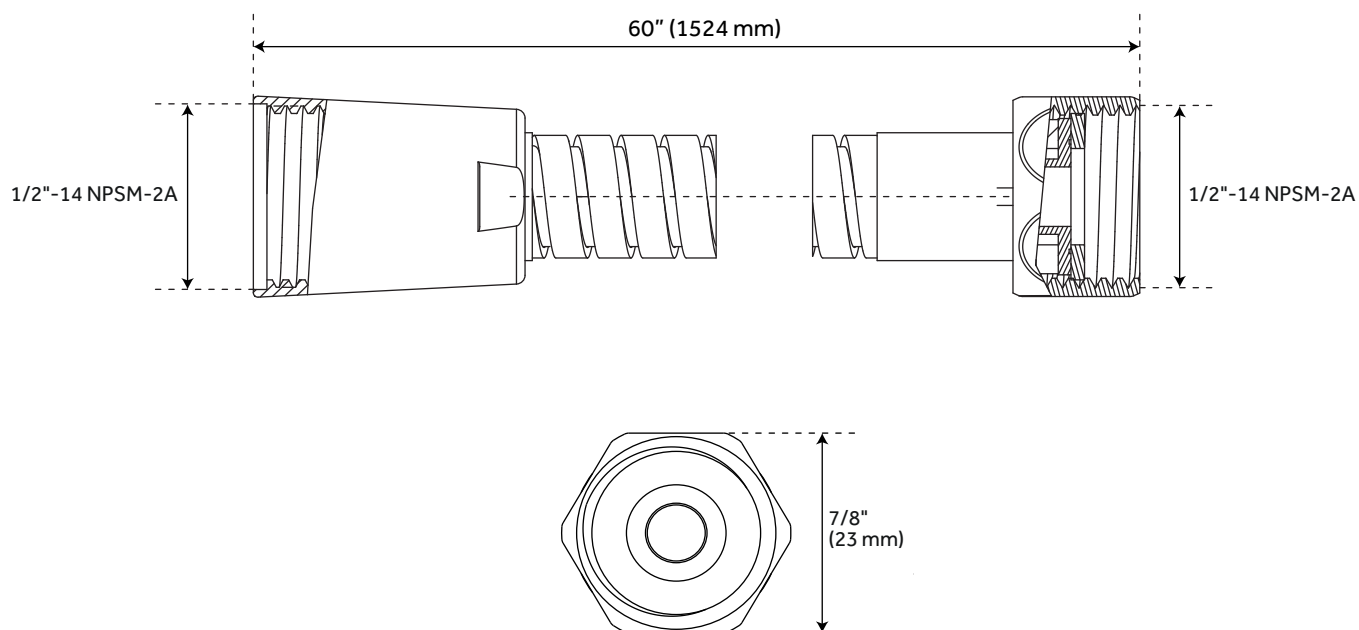
All dimensions and specifications are nominal and may vary. Use actual products for accuracy in critical situations.

BERWYN HAND SHOWER



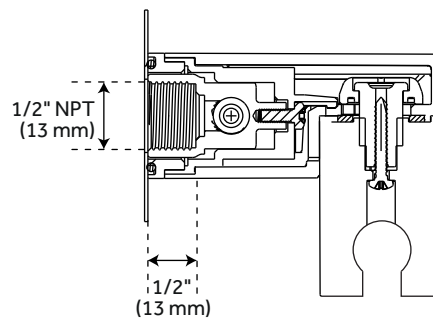
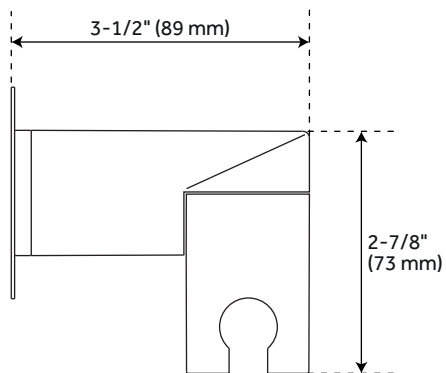
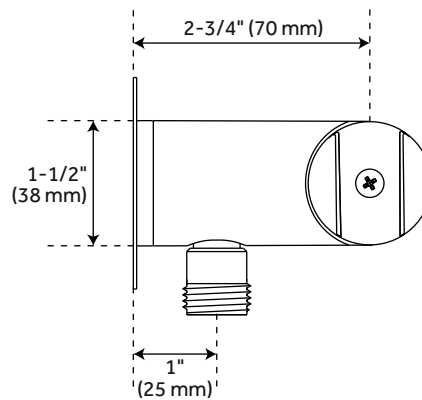
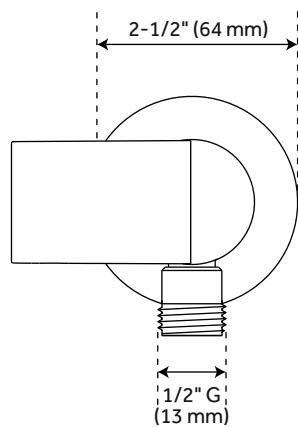
All dimensions and specifications are nominal and may vary. Use actual products for accuracy in critical situations.

BERWYN HAND SHOWER HOSE



All dimensions and specifications are nominal and may vary. Use actual products for accuracy in critical situations.

BERWYN WATER SUPPLY ELBOW AND BRACKET



All dimensions and specifications are nominal and may vary. Use actual products for accuracy in critical situations.