

BERWYN PRESSURE BALANCE SHOWER SYSTEM

SKU: 953653

Code: SH4001, SHRS820R3G, SHBW80102, SHRSA123



FEATURES

Installation Type: Wall Mount
Features: Pressure-Balanced; Rough-In Included
Design: Modern
Material: Metal
Assembly Required: Yes
Handle Type: Lever
Shower Head Installation Type: Wall Mount
Number of Shower Heads: 1
Shower Head Material: Metal
Shower Head Spray: Rainfall
Shower Head Length: 7-7/8"
Shower Arm Included: Yes
Shower Arm Extension: 11-1/8"
Shower Arm Height: 3-1/2"
Shower Head IPS: 1/2"
Shower Head Swivel: Yes
Valve Trim Width: 6-3/4"
Ceramic Disc Cartridges: Yes
Hot and Cold Indicators: Yes
Handle Material: Metal
Weight: 4 lbs

ASME A112.18.1/CSA B125.1
WaterSense by IAPMO



REVISED 1/12/2024

BERWYN PRESSURE BALANCE SHOWER SYSTEM

SKU: 953653

Code: SH4001, SHRS820R3G, SHBW80102, SHRSA123



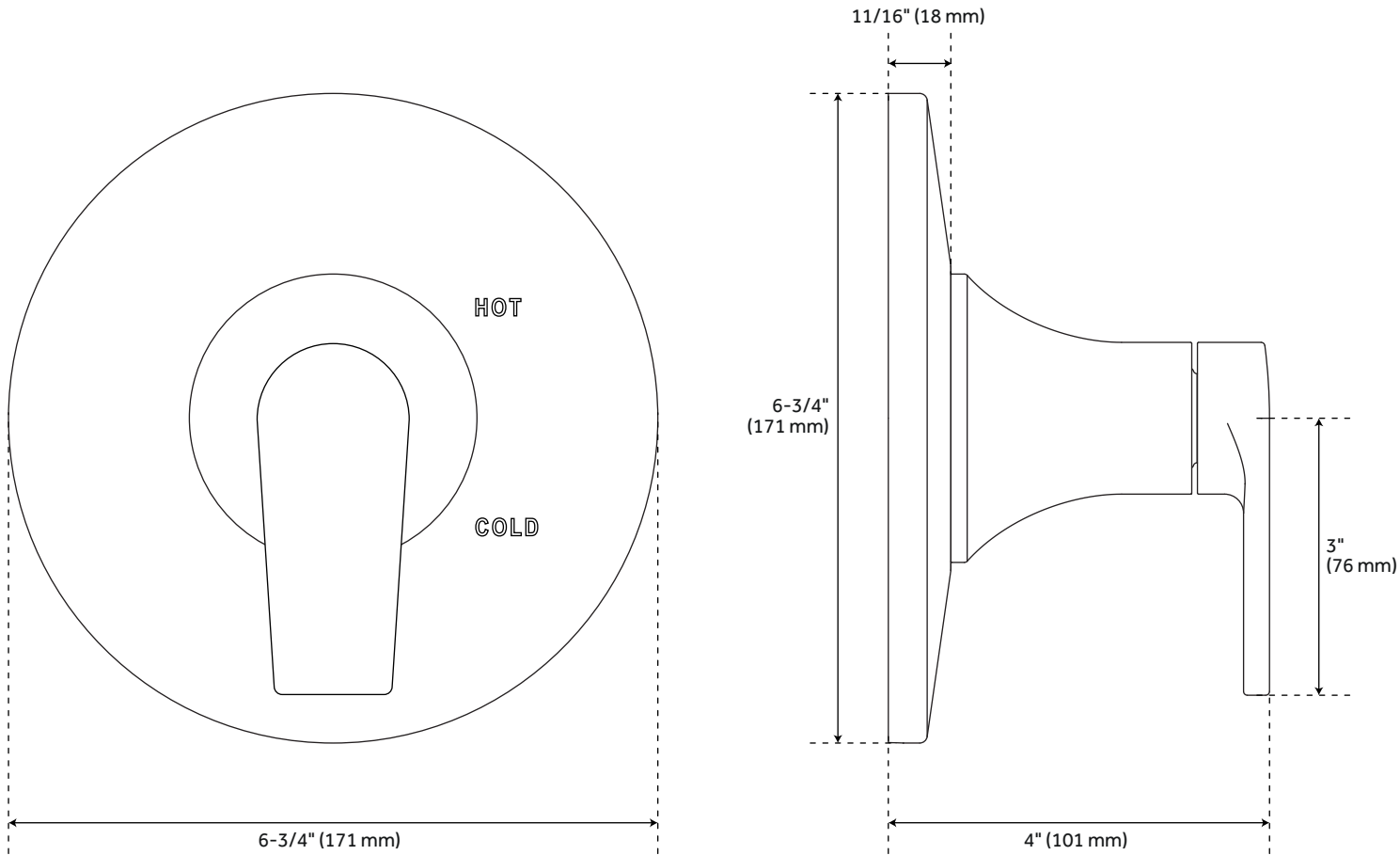
ADDITIONAL FEATURES

- All dimensions are ($\pm 1/2$ ").
- Single function 8" Rainfall shower head.
- 12" shower arm.
- Rough-in Valve:
 - Pressure balance valve with integral stops.
 - One-piece cartridge design for ease of maintenance.
 - Back-to-back capability.
 - Ceramic disc valve cartridge.
 - Cast bronze valve body.
 - Adjustable temperature limit stop.
 - Quick remove plaster guard.
 - Easy mounting brackets.

REVISED 1/12/2024

BERWYN PRESSURE BALANCE SHOWER VALVE TRIM

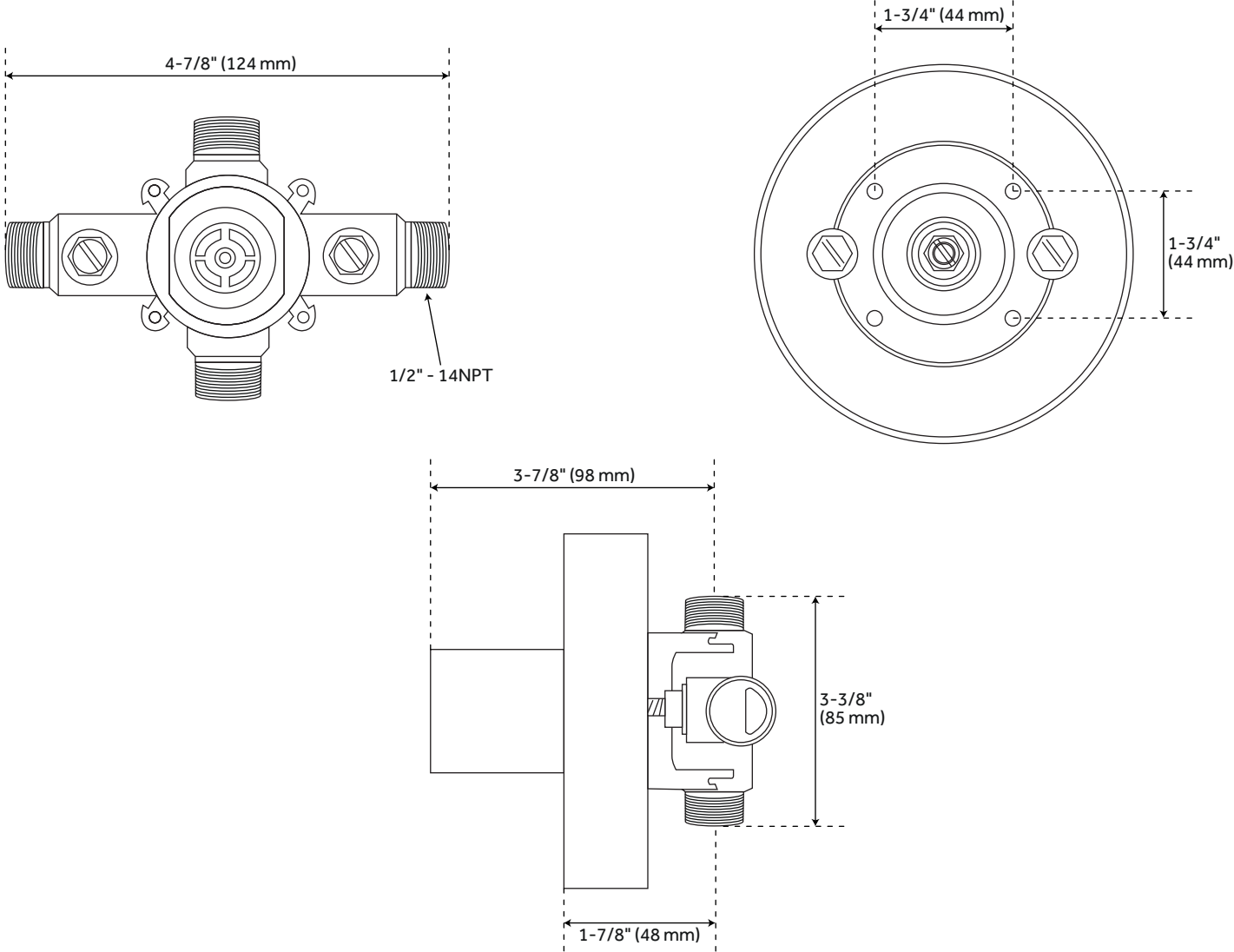
SKU: 953653
SHBW8010



All dimensions and specifications are nominal and may vary. Use actual products for accuracy in critical situations.

PRESSURE BALANCE SHOWER ROUGH-IN VALVE

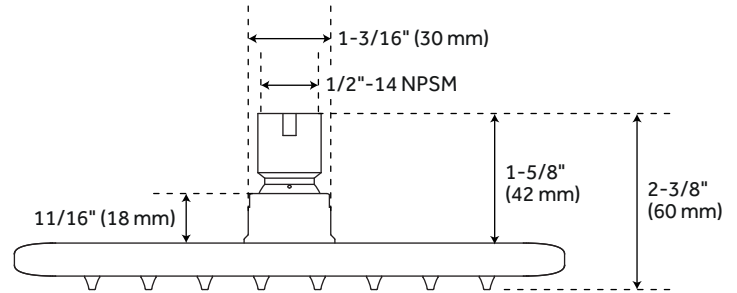
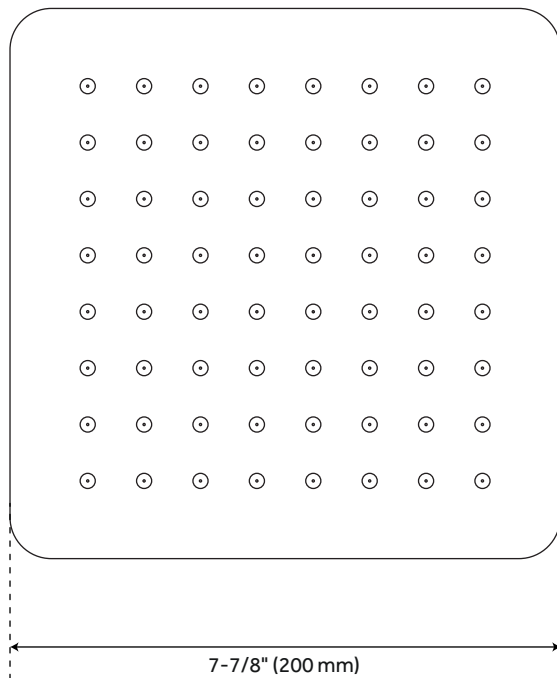
SKU: 953653
SH4001



All dimensions and specifications are nominal and may vary. Use actual products for accuracy in critical situations.

BERWYN SOFT SQUARE RAINFALL SHOWER HEAD

SKU: 953653
SHRS820R2G

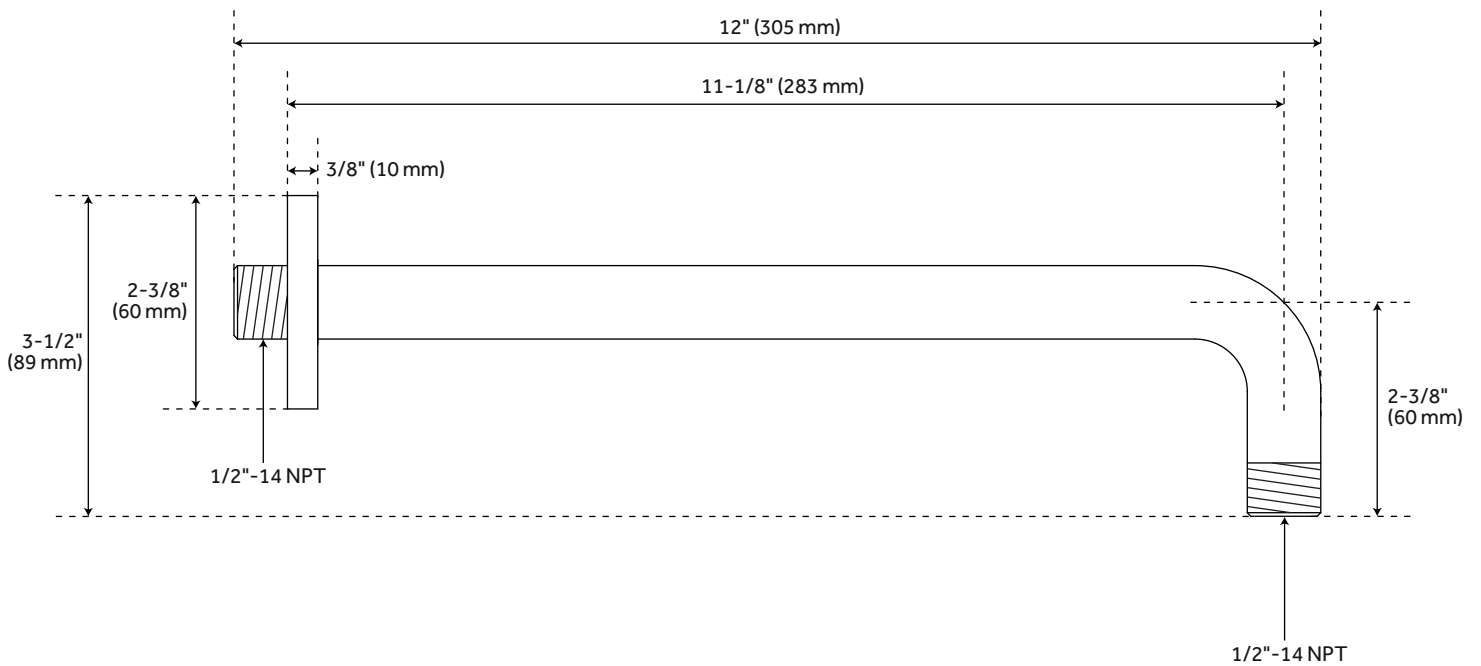


All dimensions and specifications are nominal and may vary. Use actual products for accuracy in critical situations.

BERWYN SHOWER ARM

SKU: 953653

SHRSA121



All dimensions and specifications are nominal and may vary. Use actual products for accuracy in critical situations.