

BERWYN IN-WALL SHOWER DIVERTER TRIM

SKU: 953652

Code: SHBW9005, SHBW90052, SH6103, SH6101



FEATURES

Installation Type: Wall
Mount Design: Modern
Material: Metal
Length: 4-3/8"
Assembly Required: No
Handle Type: Lever
Handle Length: 3"
Valve Trim Width: 3-11/16"
Valve Trim Height: 5-1/16"
Diverter Included: Yes
Diverter Outlets: 3
Handle Material: Metal

ASME A112.18.1/CSA B125.1

LISTED ID: SHBW9005**; SH6101; SH6103



C

REVISED 1/12/2024

BERWYN IN-WALL SHOWER DIVERTER TRIM

SKU: 953652

Code: SHBW9005, SHBW90052, SH6103, SH6101

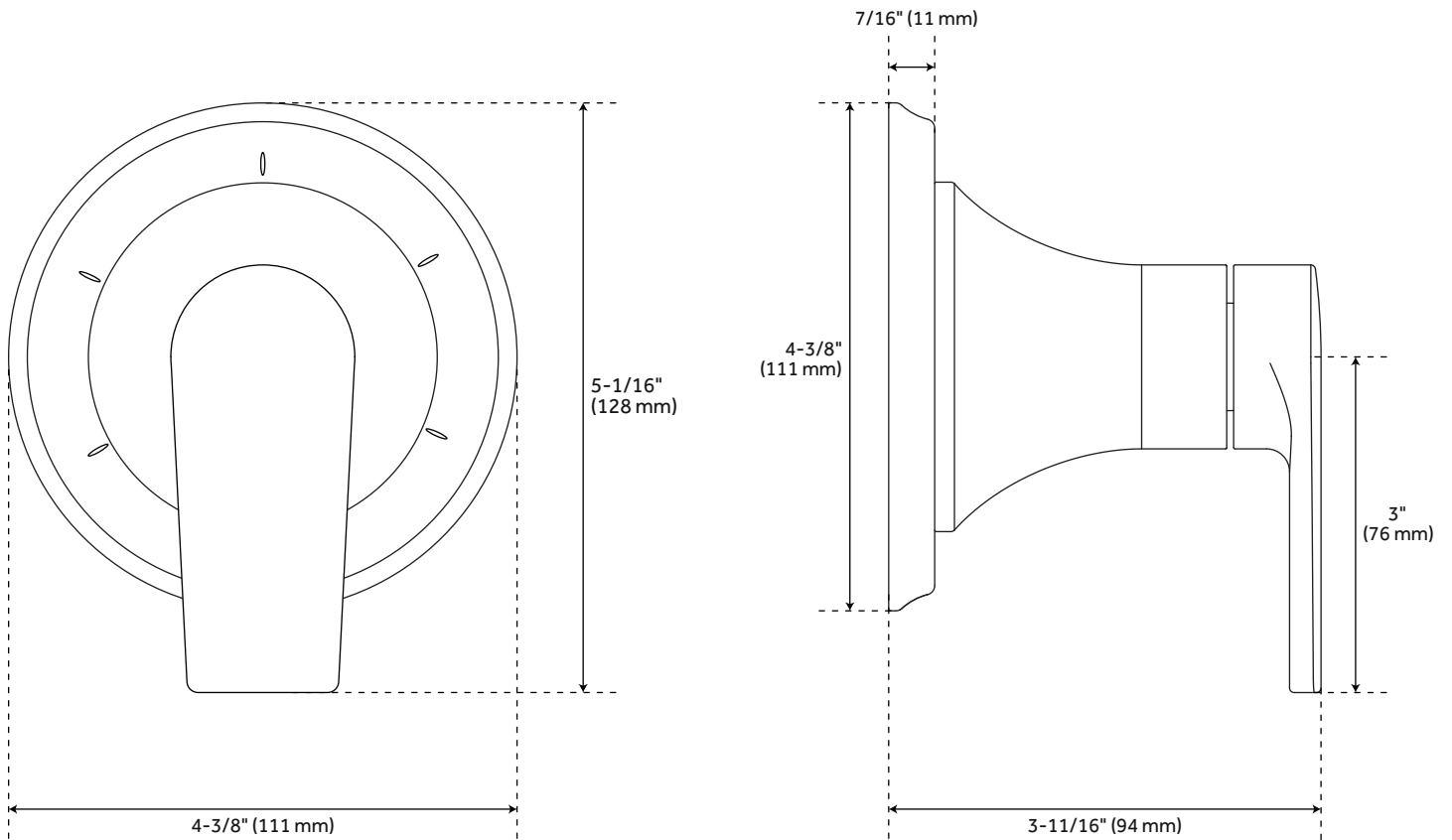


ADDITIONAL FEATURES

- All dimensions are ($\pm 1/2$ ").
- Metal Lever Handle.
- Not intended as a shut off valve.
- Six total settings allow for shared water flow between outlets, giving you the ability to use two functions at once.
- Wall thickness range: 1" - 1-3/4".
- Available Single-Function Diverter Valve Cartridge restricts water flow to one outlet at a time.
- Optional Rough-in Valve:
 - Brass valve body.
 - Ceramic cartridge.
 - Recommended valve installation depth 1-5/8" to 2-3/8".
 - Must be installed in accordance with provided installation instructions.

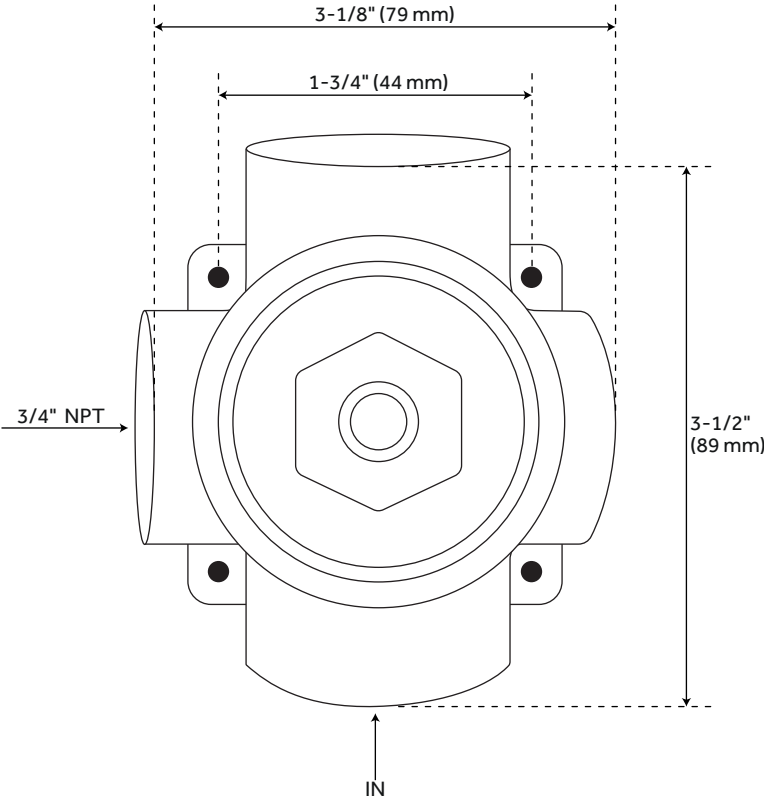
REVISED 1/12/2024

BERWYN IN-WALL SHOWER DIVERTER TRIM



All dimensions and specifications are nominal and may vary. Use actual products for accuracy in critical situations.

OPTIONAL 3-WAY IN-WALL DIVERTER ROUGH-IN VALVE



All dimensions and specifications are nominal and may vary. Use actual products for accuracy in critical situations.