

BERWYN IN-WALL SHOWER DIVERTER TRIM

SKU: 953652



FEATURES

Material: Metal
Handle Type: Lever
Installation Type: Wall Mount
Valve Trim Width: 4-3/8"
Valve Trim Height: 5"

CODES/STANDARDS

Massachusetts Accepted

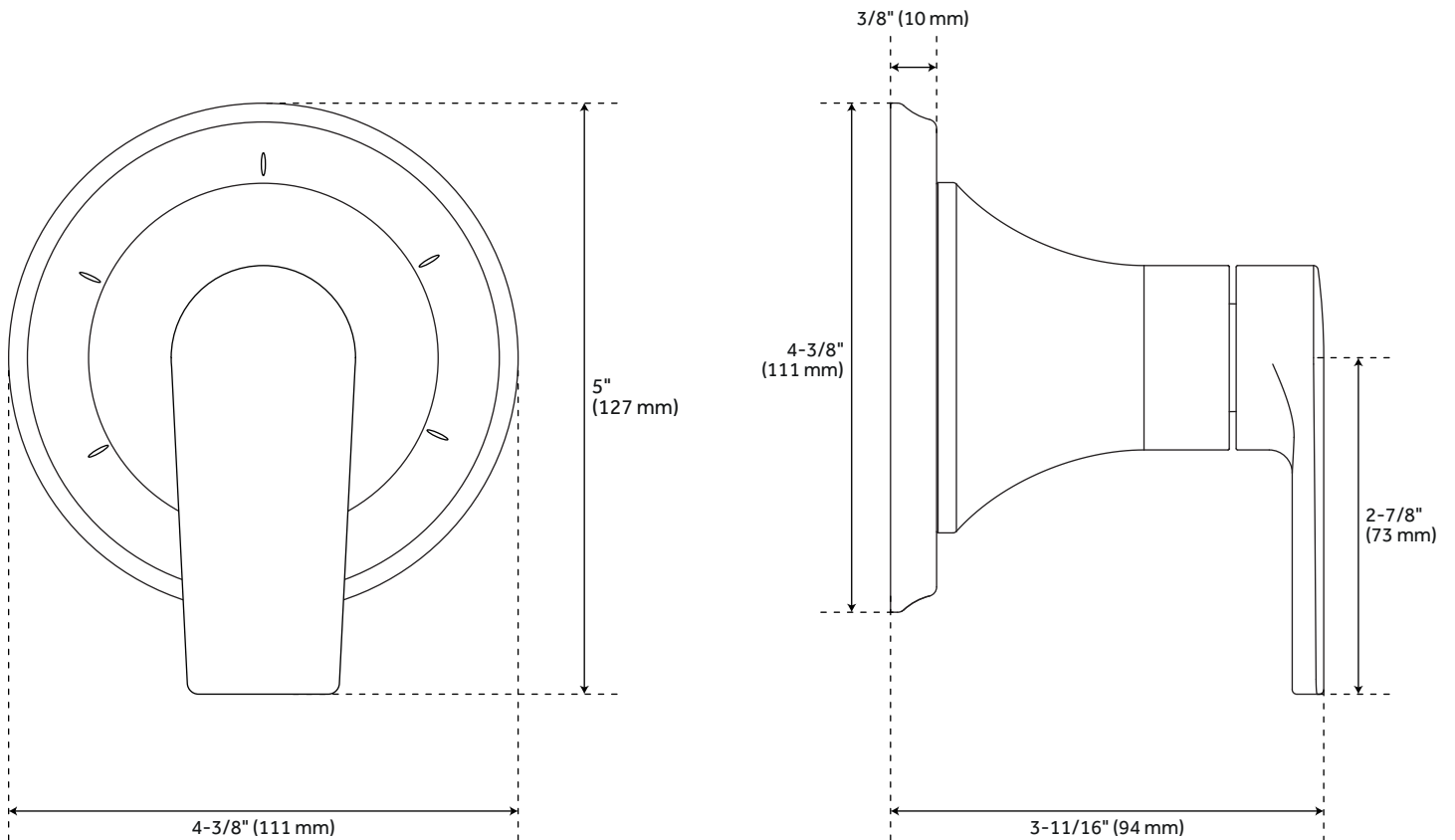


Code: SHBW9005,
SH6101, SH6103
REVISED 7/6/2022

BERWYN IN-WALL SHOWER DIVERTER TRIM

SKU: 953652

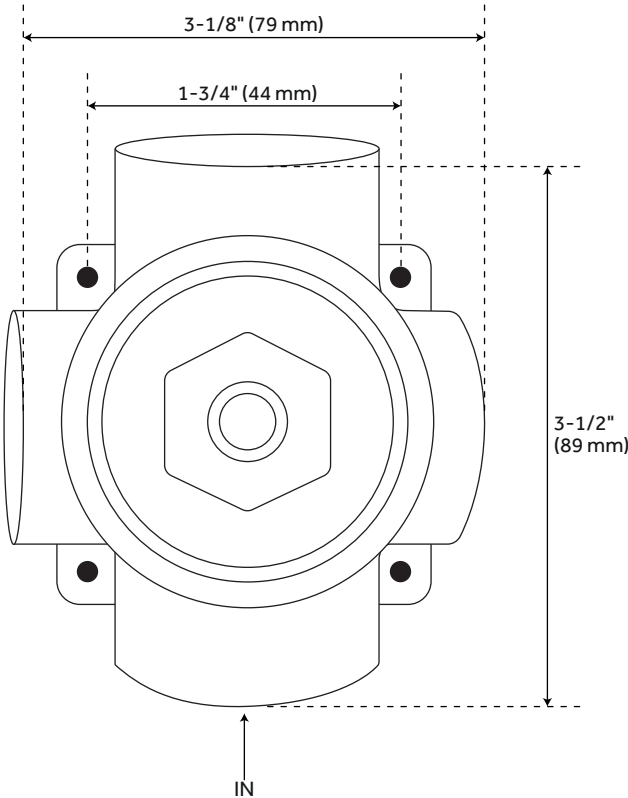
SHBW9005



All dimensions and specifications are nominal and may vary. Use actual products for accuracy in critical situations.

OPTIONAL 3-WAY IN-WALL DIVERTER ROUGH-IN VALVE - 1/2" OR 3/4"

SKU: 953652
SH6101, SH6103



All dimensions and specifications are nominal and may vary. Use actual products for accuracy in critical situations.