

BERWYN PRESSURE BALANCE SHOWER VALVE TRIM

SKU: 953651

Code: SHBW80102, SH4001



FEATURES

Installation Type: Wall Mount
Design: Modern
Material: Metal
Length: 6-3/4"
Assembly Required: No
Handle Type: Lever
Handle Length: 3"
Valve Trim Width: 4"
Hot and Cold Indicators: Yes
Handle Material: Metal

ASME A112.18.1/CSA B125.1

ASSE 1016 Type P

WaterSense by IAPMO

Massachusetts Accepted

LISTED ID: SHBW8010**; aSH4001



REVISED 1/12/2024

BERWYN PRESSURE BALANCE SHOWER VALVE TRIM

SKU: 953651

Code: SHBW80102, SH4001

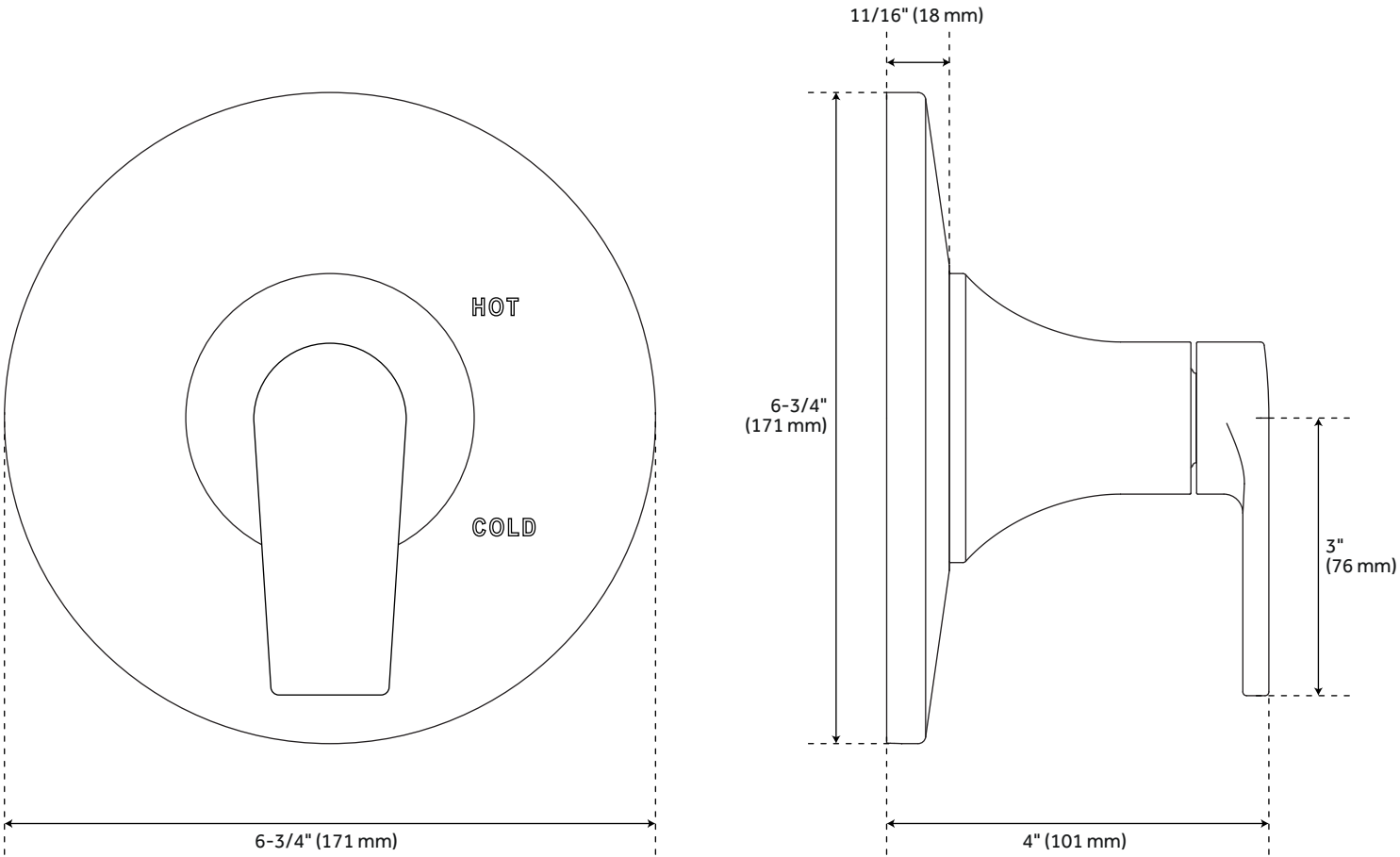


ADDITIONAL FEATURES

- Metal lever handle.
- Optional Rough-in Valve:
 - Pressure balance valve with integral stops.
 - One-piece cartridge design for ease of maintenance.
 - Back-to-back capability.
 - Ceramic disc valve cartridge.
 - Cast bronze valve body.
 - Adjustable temperature limit stop.
 - Quick remove plaster guard.
 - Easy mounting brackets.

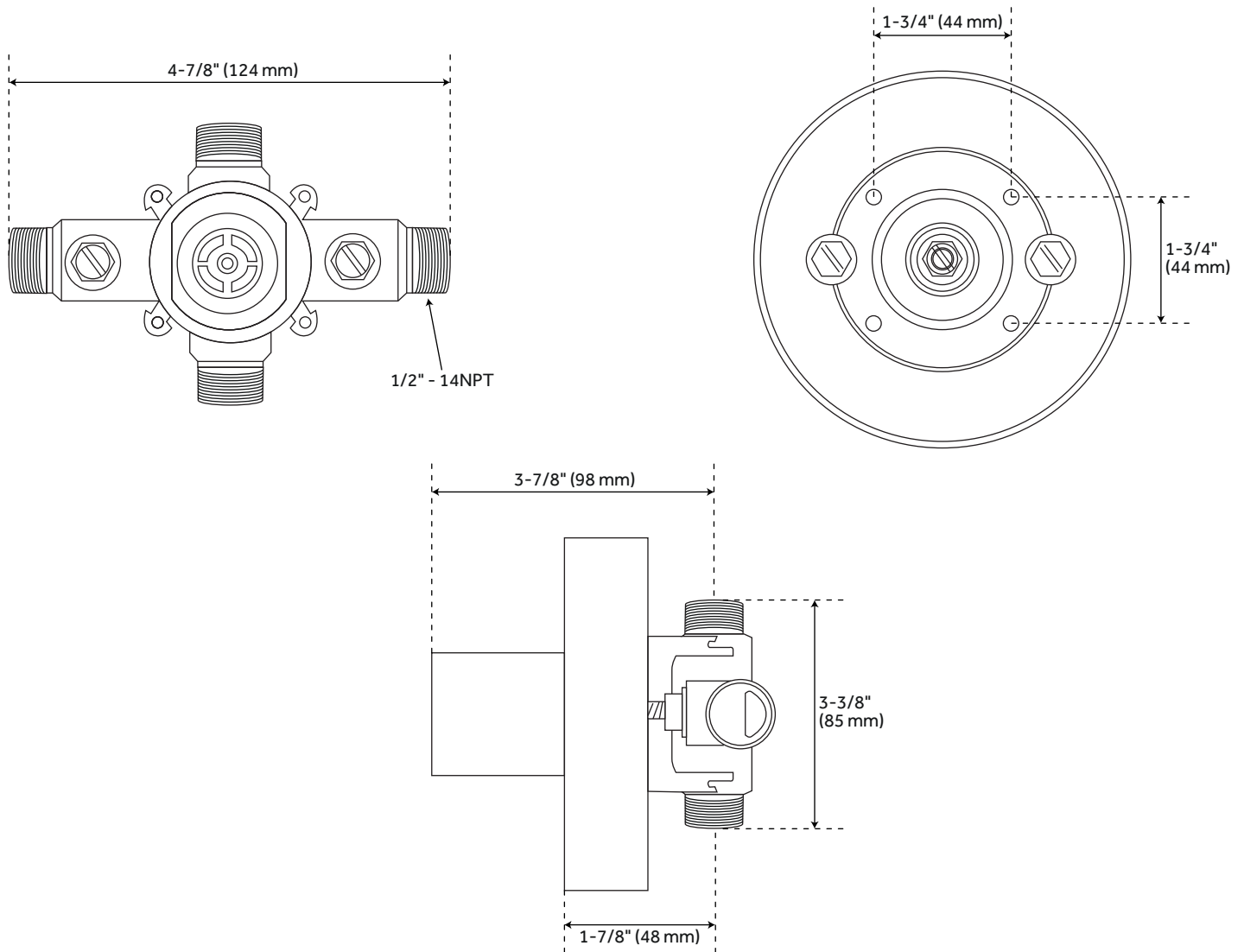
REVISED 1/12/2024

BERWYN PRESSURE BALANCE SHOWER VALVE TRIM



All dimensions and specifications are nominal and may vary. Use actual products for accuracy in critical situations.

OPTIONAL PRESSURE BALANCE SHOWER ROUGH-IN VALVE



All dimensions and specifications are nominal and may vary. Use actual products for accuracy in critical situations.