

# BERWYN SINGLE-HOLE BATHROOM FAUCET WITH DECK PLATE

SKU: 953646-DP

Code: SHWSCBW107, SHBWDP107



## FEATURES

Installation Type: Deck Mount  
Features: Deck Plate  
Design: Modern  
Material: Metal  
Length: 6-1/4"  
Width: 6-1/16"  
Height: 6-3/16"  
Assembly Required: No  
Faucet Centers: Single-Hole  
Overflow Hole: Yes  
Fits Drain Hole Size: 1-1/2"  
Drain Included: Yes  
Faucet Material: Metal  
Handle Type: Lever  
Handle Length: 2-1/2"  
Flow Rate: 1.2 gpm (4.5L/min) @ 60 psi  
Max. Countertop Thickness: 3-5/16"  
Height To Spout: 4-1/8"  
Spout Reach: 4-1/16"  
Swivel Spout: No  
Handle Height: 5-3/4"  
Ceramic Disc Cartridges: Yes  
Hot and Cold Indicators: No  
Handle Material: Metal  
Weight: 2.5 lbs

ASME A112.18.1/CSA B125.1

NSF/ANSI 372

NSF/ANSI 61

NSF/ANSI/CAN 61

NSF/ANSI/CAN 61-9:Q≤1 (AB100)

WaterSense by IAPMO

LISTED ID: SHWSCBW107XX, SHBWDP107XX



REVISED 1/11/2024

# BERWYN SINGLE-HOLE BATHROOM FAUCET WITH DECK PLATE

SKU: 953646-DP

Code: SHWSCBW107, SHBWDP107

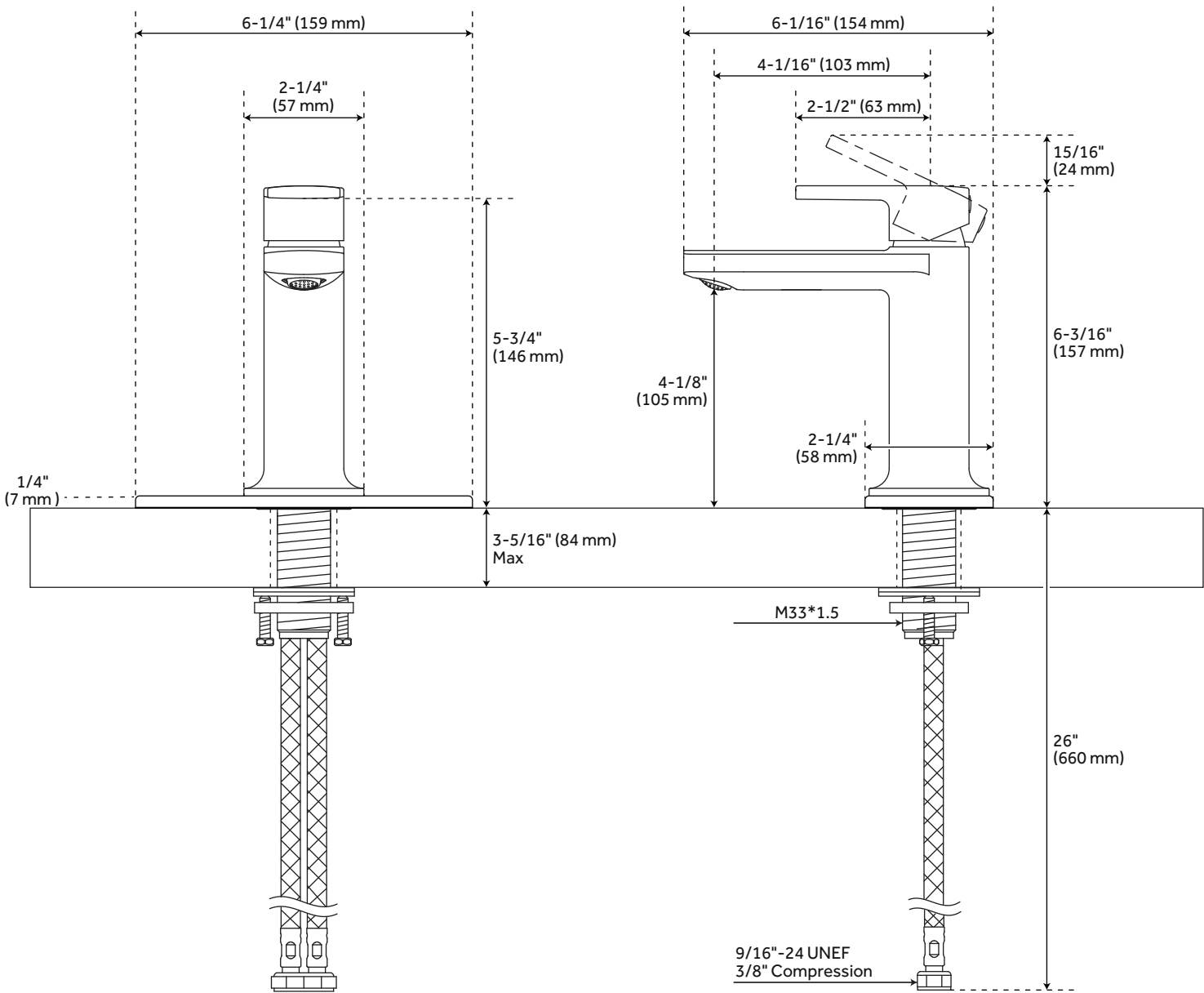


## ADDITIONAL FEATURES

- Drain is only compatible with sinks that have an overflow.
- Included deck plate converts faucet from a single-hole installation to a 4" centerset spread.

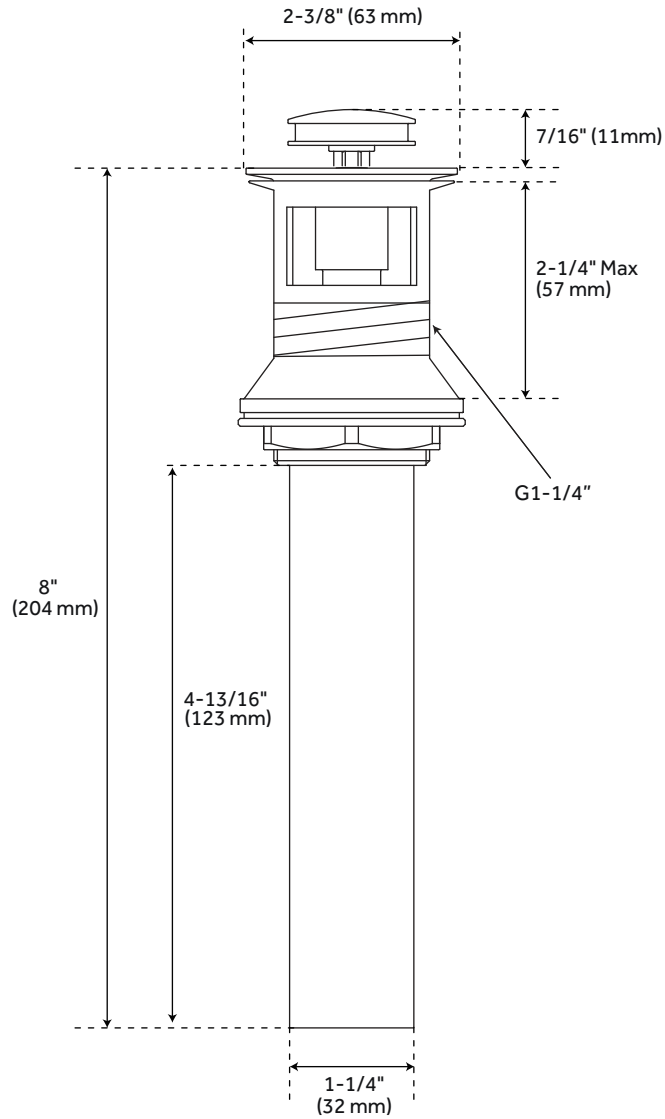
REVISED 1/11/2024

# BERWYN SINGLE-HOLE BATHROOM FAUCET WITH DECK PLATE



All dimensions and specifications are nominal and may vary. Use actual products for accuracy in critical situations.

# BERWYN DRAIN WITH OVERFLOW



All dimensions and specifications are nominal and may vary. Use actual products for accuracy in critical situations.