

ARABELLA

CAST IRON DOUBLE-SLIPPER TUB

SKU: 915546



FEATURES

Design: Transitional
Overflow Hole: Yes
Shape: Oval
Material: Cast Iron
Exterior Treatment: Hand-Smoothed
Painted White
Interior Treatment: White Porcelain Enamel
Feet Type: Lion Paw
Feet Material: Cast Iron
Tap Deck: No
Drain Placement: Offset
Faucet Included: No

CONTENTS

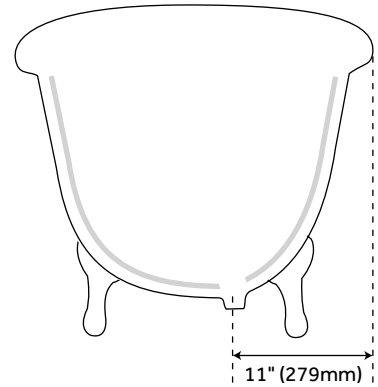
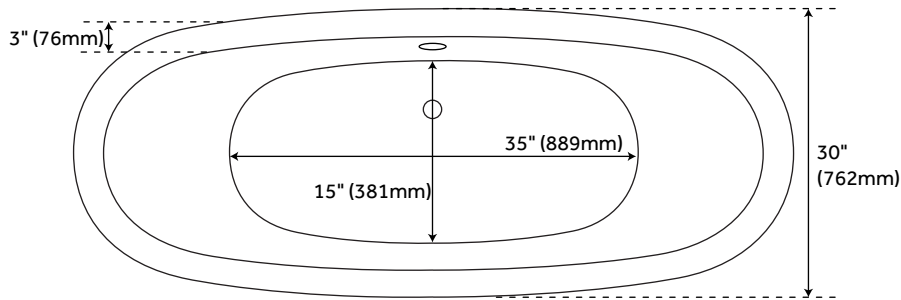
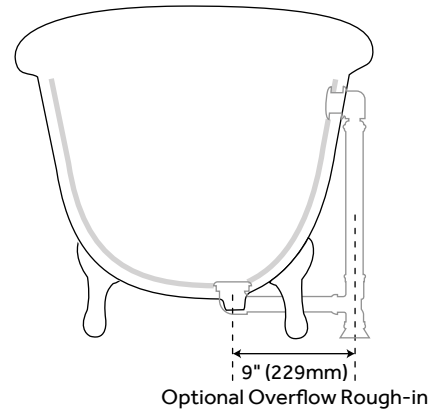
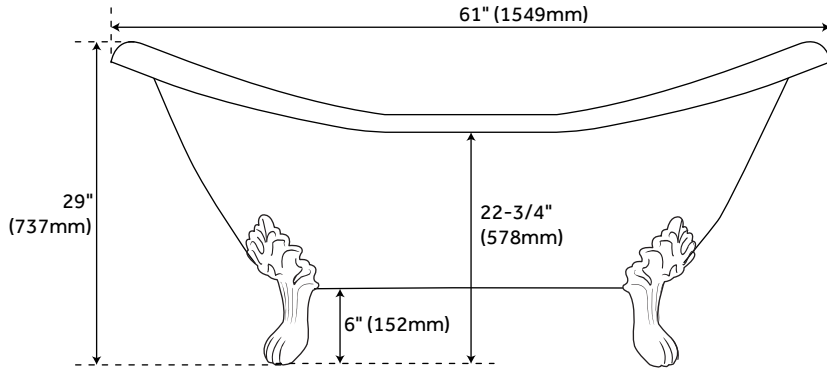
61" TUBPAGE 2
72" TUB PAGE 3

REVISED 09/01/2021

61" ARABELLA

CAST IRON DOUBLE-SLIPPER TUB

SKU: 915546



FEATURES

Design: Transitional
Overflow Hole: Yes
Shape: Oval
Material: Cast Iron
Water Depth To Overflow: 13-1/2"
Interior Treatment: White Porcelain Enamel
Feet Type: Lion Paw
Feet Material: Cast Iron
Tap Deck: No
Drain Placement: Offset
Faucet Included: No
Length: 61"
Width: 30"
Height: 29"
Water Capacity (Gallons): 30
Tub Weight Uncrated (lbs): 300
Tub Weight Crated (lbs): 410

PRODUCT IMAGE



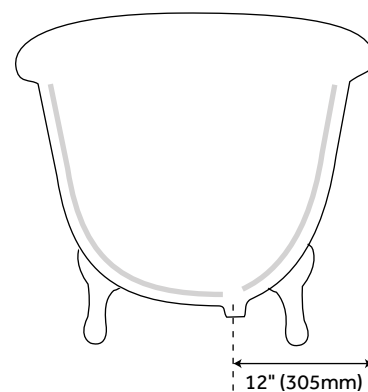
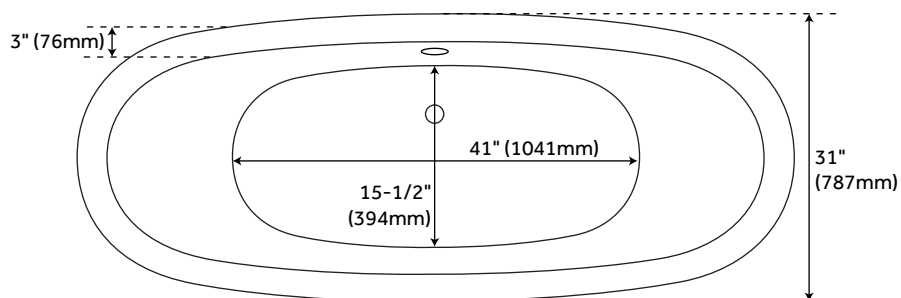
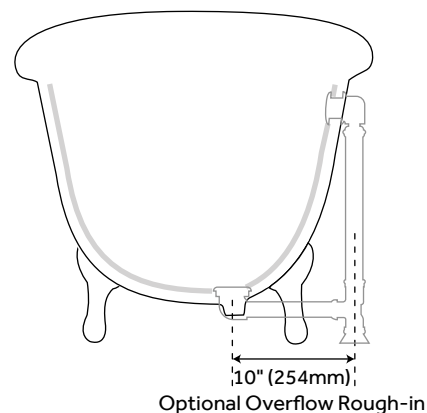
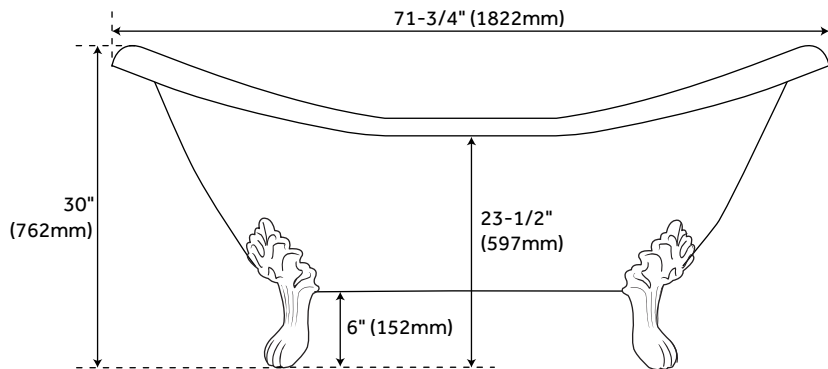
All dimensions and specifications are nominal and may vary. Use actual products for accuracy in critical situations.

PAGE 2

72" ARABELLA

CAST IRON DOUBLE-SLIPPER TUB

SKU: 915546



FEATURES

Design: Transitional
Product Finish: White
Overflow Hole: Yes
Shape: Oval
Material: Cast Iron
Water Depth To Overflow: 13-1/2"
Interior Treatment: White Porcelain Enamel
Feet Type: Lion Paw
Feet Material: Cast Iron
Tap Deck: No
Drain Placement: Offset
Faucet Included: No
Length: 71-3/4"
Width: 31"
Height: 30"
Water Capacity (Gallons): 38
Tub Weight Uncrated (lbs): 353
Tub Weight Crated (lbs): 463

PRODUCT IMAGE



All dimensions and specifications are nominal and may vary. Use actual products for accuracy in critical situations.

PAGE 3