

GOOSENECK SHOWER CONVERSION KIT WITH HAND SHOWER - 60" X 27" D STYLE SHOWER RING

SKU: 953100

Code: SH476401, SH476400, SH479746, SH441501



FEATURES

Material: Brass

Shower Head Swivel: Yes

Hand Shower Flow Rate: 1.8 gpm (6.8 L/min) @ 80 psi

Flow Rate: 13.3 gpm (50.4 L/min) @ 80 psi

Diverter Outlets: 3

Cartridge Type: Ceramic Disc

Faucet Centers: 3-3/8"

LISTED ID: 508317, 514914



ADDITIONAL FEATURES

- "Hot", "Cold" and "Shower" diverter handles are ceramic with black lettering.
- Shower ring features 1" OD heavy gauge brass tubing, two heavy duty jumbo wall flanges and one 36" ceiling support.
- Ceiling support can be cut to length.
- Two piece shower riser is 3/8" brass pipe size: 77" total height with 9-1/2" projection.
- Riser may be cut to needed height.
- Recommended for use with any tub with a non-sloped, drain-end wall. Not recommended for use with the Celine, Miya, and Barrett tubs.

REVISED 6/12/2024

D-SHAPED SOLID BRASS SHOWER CURTAIN ROD

SKU: 904986

Code: SH482883, SH466789, SH482884, SH466790, SH466791, SH466793, SH466794, SH466795, SH466792, SH466796



FEATURES

Material: Brass

ADDITIONAL FEATURES

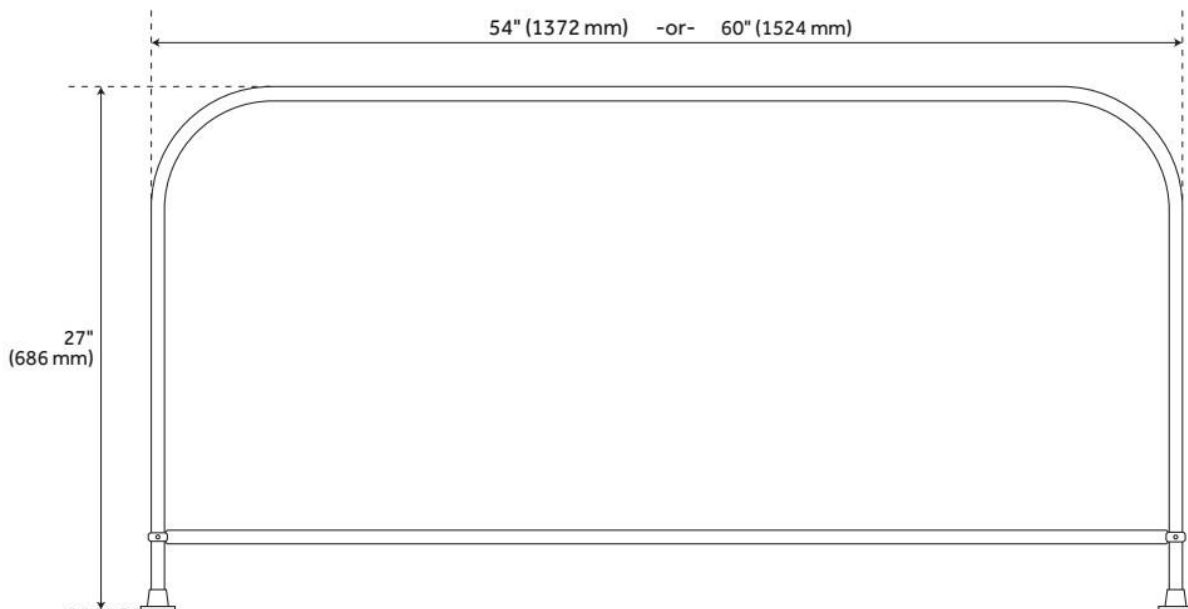
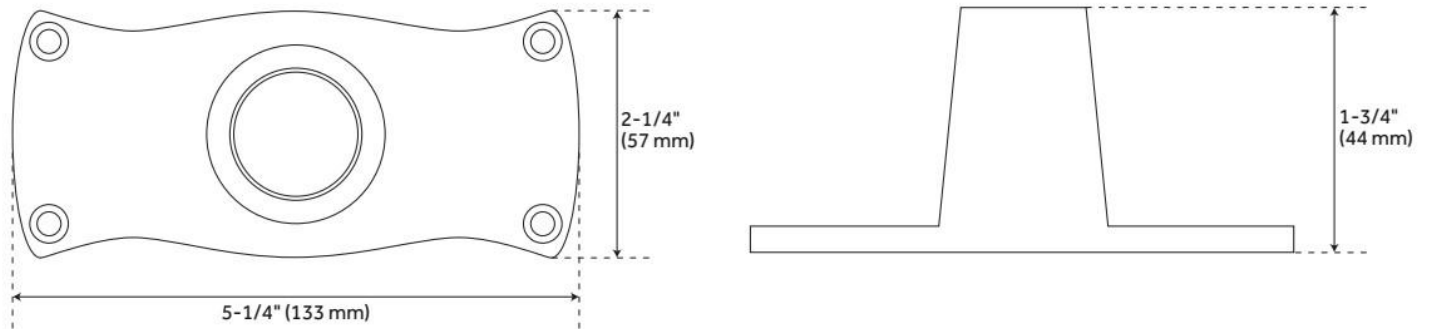
- Includes 36" ceiling support.
- Supplied with jumbo style wall flanges.

REVISED 6/12/2024

D-SHAPED SOLID BRASS SHOWER CURTAIN ROD

SKU: 904986

Code: SH482883, SH466789, SH482884, SH466790, SH466791, SH466793, SH466794, SH466795, SH466792, SH466796

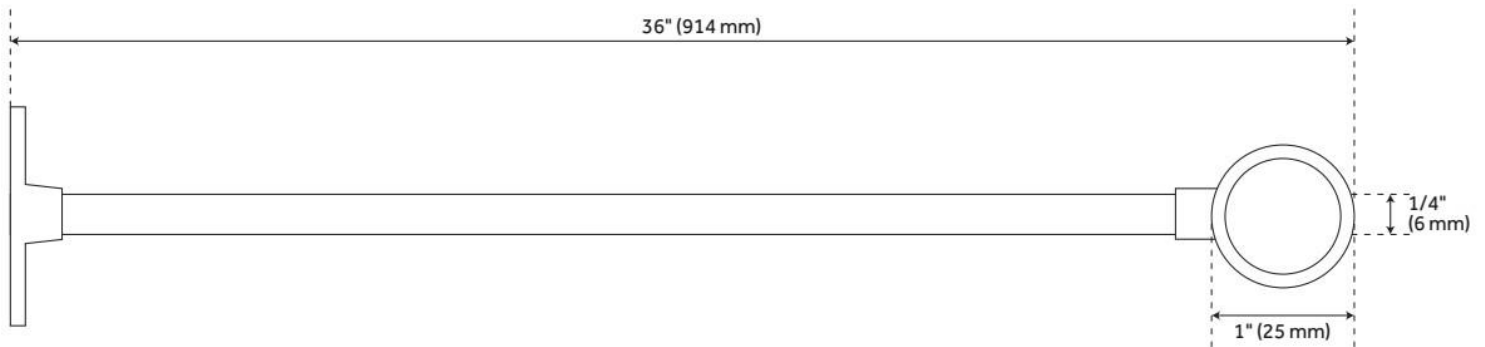


REVISED 6/12/2024

D-SHAPED SOLID BRASS SHOWER CURTAIN ROD

SKU: 904986

Code: SH482883, SH466789, SH482884, SH466790, SH466791, SH466793, SH466794, SH466795, SH466792, SH466796



REVISED 6/12/2024

ADJUSTABLE DOUBLE RINGLET RISER HOLDER

SKU: 901100

Code: SH329576, SH153824, SH153825

FEATURES

Material: Brass



ADDITIONAL FEATURES

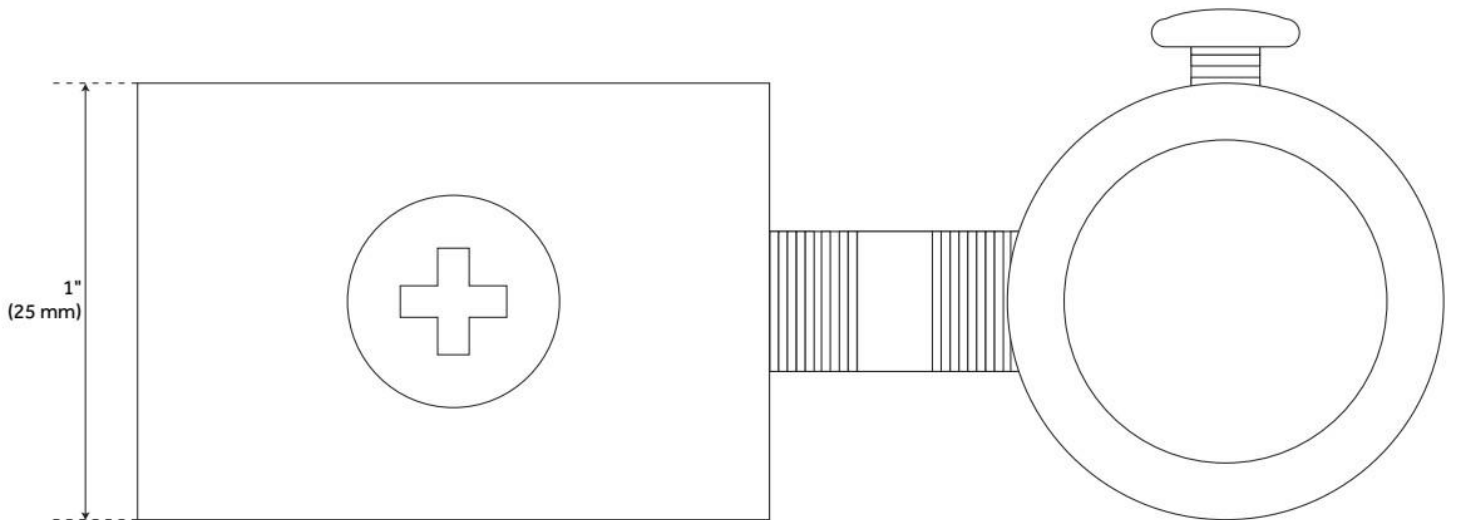
- For 1" diameter shower rod with 3/8" IPS (5/8" OD) riser piping.

REVISED 6/12/2024

ADJUSTABLE DOUBLE RINGLET RISER HOLDER

SKU: 901100

Code: SH329576, SH153824, SH153825



REVISED 6/12/2024

5/8" OD X 77" HIGH SHOWER RISER PIPE

SKU: 900577

Code: SH114331, SH133810, SH144428



FEATURES

Material: Brass

ADDITIONAL FEATURES

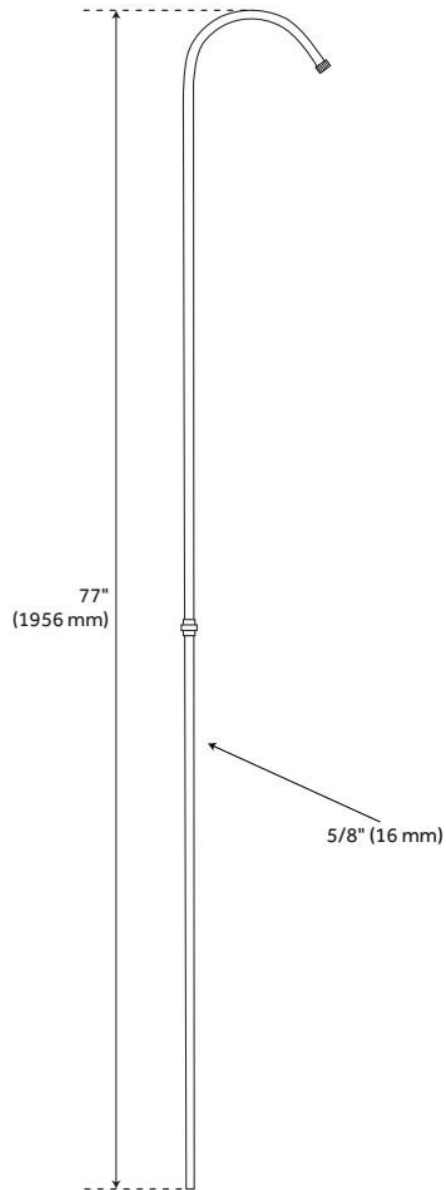
- 77" High x 5/8" OD diameter.
- Top piece measures 40-1/2" H.
- Bottom piece measures 36-1/2" H with coupler.
- Can be shortened by cutting.
- Bottom piece is threaded on one end only. (Does not fit economy faucets that require threaded pipe connection.)
- 1/2" IPS (iron pipe) showerhead fitting.
- Fits standard showerheads.
- Extends 9 1/2" from vertical.
- Note: showerhead, faucet, riser holder, bushing, and shower ring sold separately. Bottom piece is threaded on one end only. (Does not fit economy faucets that require threaded pipe connection.)
- Riser can be extended with additional coupling and pipe.

REVISED 6/12/2024

5/8" OD X 77" HIGH SHOWER RISER PIPE

SKU: 900577

Code: SH114331, SH133810, SH144428



REVISED 6/12/2024

GOOSENECK LEG TUB DIVERTER VALVE

SKU: 900497

Code: SH329307, SH109392, SH329306, SH267828



FEATURES

Material: Brass

Shower Head Swivel: No

Flow Rate: 6.8 gpm (25.7 L/min) @ 60 psi

Cartridge Type: Ceramic Disc

LISTED ID: 508302



ADDITIONAL FEATURES

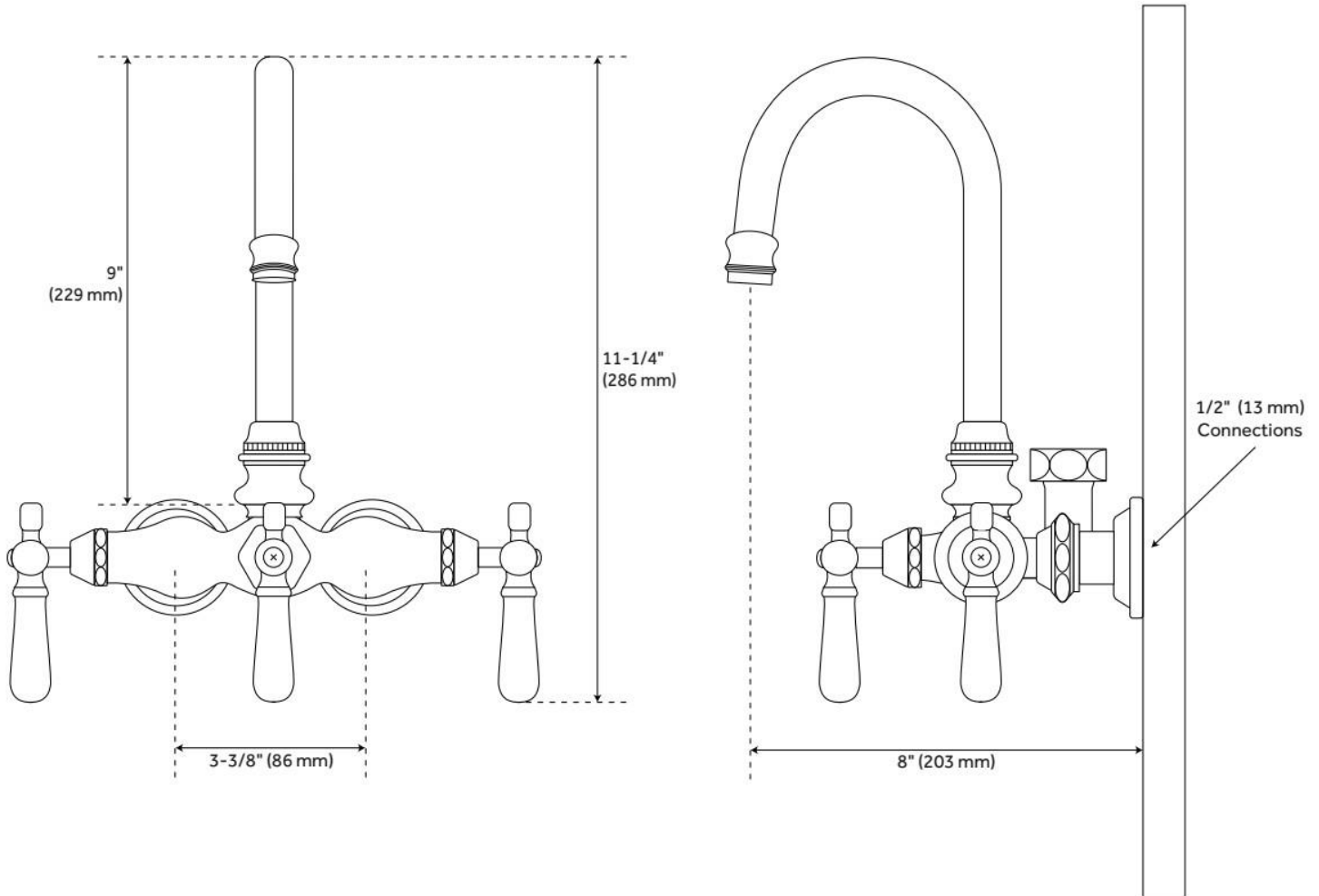
- 'Hot', 'Cold' and 'Shower' porcelain handles.
- High quality brass leg tub valve with 9" high spout.
- 8" wall to spout.
- Must be installed with shower riser or hand shower (not included).
- 3-3/8" centers.
- Recommended for use only with the Bennington tub with angled straight faucet shanks, or any tub with a non-sloped, drain-end wall. Not recommended for use with the Celine, Miya, and Barrett tubs.

REVISED 6/12/2024

GOOSENECK LEG TUB DIVERTER VALVE

SKU: 900497

Code: SH329307, SH109392, SH329306, SH267828



REVISED 6/12/2024

WINDOM WATERING CAN SHOWER HEAD

SKU: 942202

Code: SH114321, SH399689, SH329555, SH133824, SH399690, SH133823, SH399691, SH156327, SH399696, SH283485, SH399697, SH283486, SH399698, SH283488, SH399699, SH283489, SH399700, SH283490, SH399701, SH399702



FEATURES

Material: Brass

Shower Head Swivel: Yes

LISTED ID: 514912, 514914, 508317, 508319, SH551**, SH441091CP, SH441091BN, SH441091ORB, SH441092CP, 564678, 564679, SH441092BN



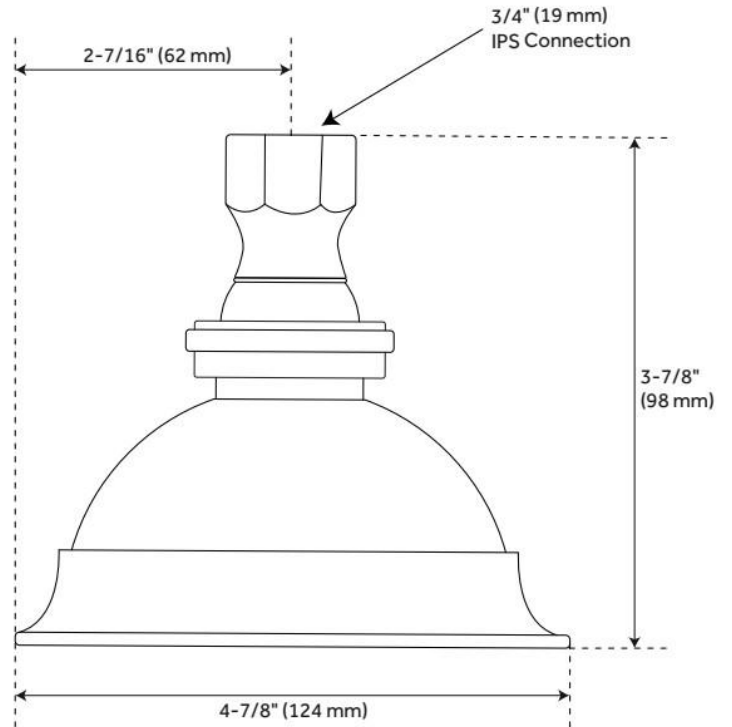
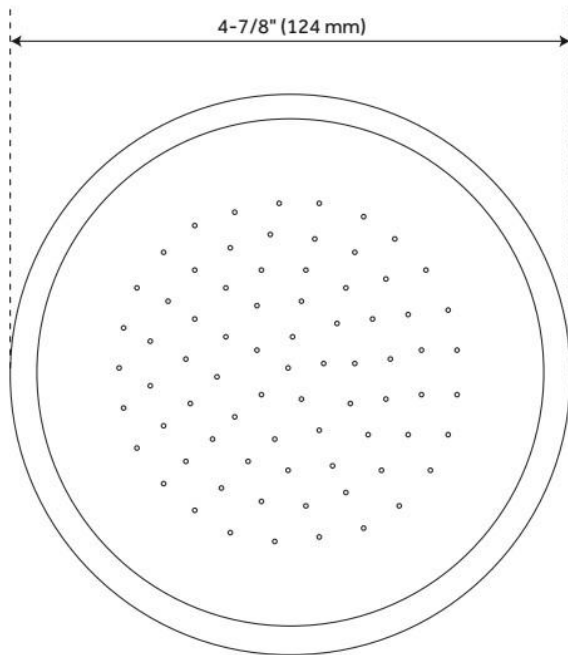
ADDITIONAL FEATURES

REVISED 6/12/2024

WINDOM WATERING CAN SHOWER HEAD

SKU: 942202

Code: SH114321, SH399689, SH329555, SH133824, SH399690, SH133823, SH399691, SH156327, SH399696, SH283485, SH399697, SH283486, SH399698, SH283488, SH399699, SH283489, SH399700, SH283490, SH399701, SH399702



REVISED 6/12/2024

HAND-HELD SHOWER CONVERSION KIT

SKU: 900595

Code: SH132429, SH144434, SH153769

FEATURES

Material: Brass



ADDITIONAL FEATURES

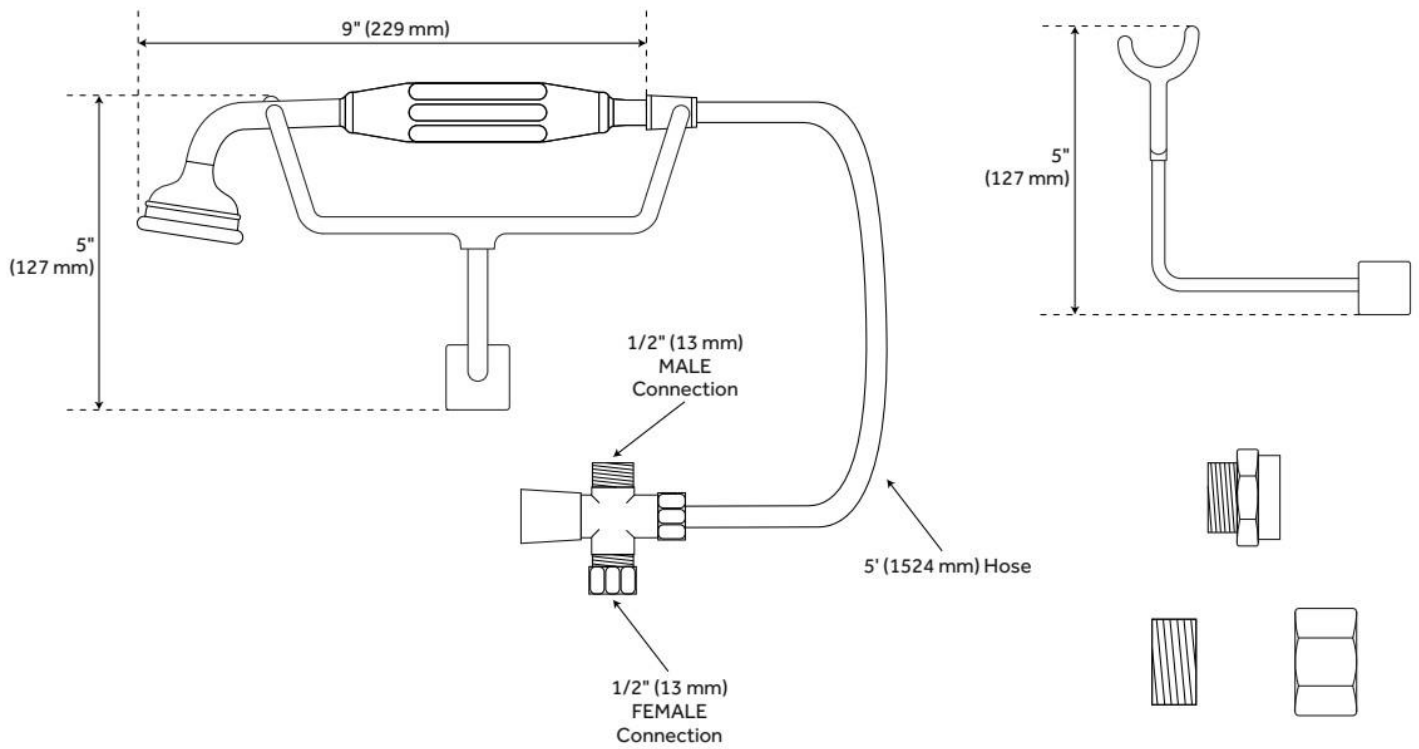
- Great addition to our Add-A-Shower Kits.
- Fits inline between diverter style faucet and shower riser pipe.
- Hand-held shower with 5' hose, cradle and push button diverter.
- Shower cradle attaches to existing riser piping.
- 1/2" IPS male x 3/4" IPS female adapter nut.
- Hand shower bracket fits 3/8" ID (5/8" OD) riser

REVISED 6/12/2024

HAND-HELD SHOWER CONVERSION KIT

SKU: 900595

Code: SH132429, SH144434, SH153769



REVISED 6/12/2024