

3-WAY IN-WALL DIVERTER ROUGH-IN VALVE

SKU: 953056
Code: SH6103, SH6101



FEATURES

Material: Brass
Width: 3-1/8"
Assembly Required: No
Kitchen Faucet Holes: 1

ASME A112.18.1/CSA B125.1

REVISED 3/17/2023

3-WAY IN-WALL DIVERTER ROUGH-IN VALVE

SKU: 953056

Code: SH6103, SH6101



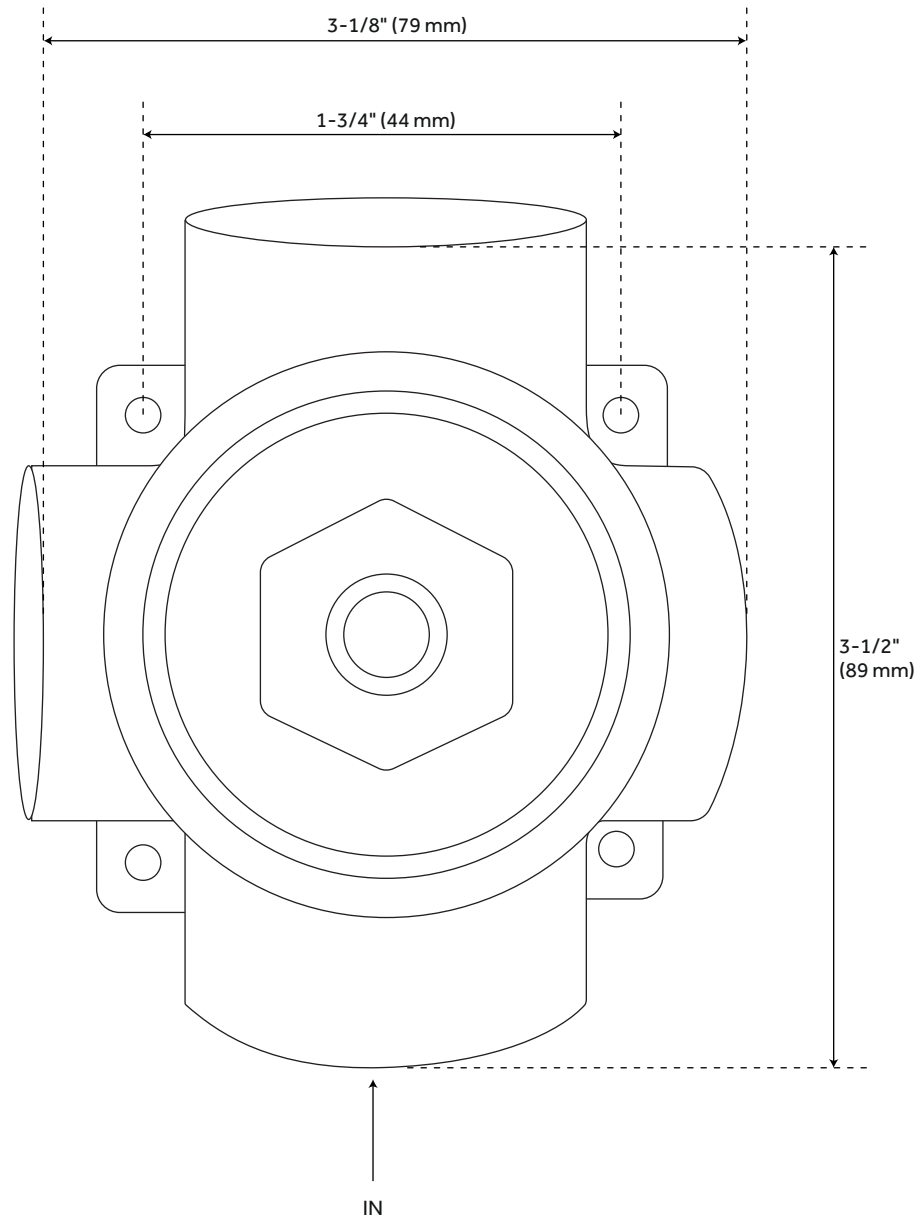
ADDITIONAL FEATURES

- Six total settings allow for shared water flow between outlets, giving you the ability to use two functions at once.
- Ceramic cartridge.
- Available Single-Function Diverter Valve Cartridge restricts water flow to one outlet at a time.
- Not intended as a shut off valve.
- For installations only requiring 2 outlets, the 3rd outlet may be looped into one of the existing pipes.
- Compatible with Boca Raton, Carraway, Edenton, Greyfield, Hibiscus, Key West, Lentz, Pendleton, Pinecrest, Provincetown, Rigi, St. Martin and Vilamonte Diverter Trims.

REVISED 3/17/2023

3-WAY IN-WALL DIVERTER ROUGH-IN VALVE

SKU: 953056
SH6101, SH6103



All dimensions and specifications are nominal and may vary. Use actual products for accuracy in critical situations.