

EWING

1-CYLINDER STAINLESS STEEL DEADBOLT

SKU: 951719-KE-DB

FEATURES

Material: Stainless Steel
Door Set Function: Entrance Lock
Design: Modern
Mounting Hardware Included: Yes
Mounting Hardware Concealed: No
Mounts From: Front
The Outside Locked and Unlocked With a Key
Inside Locked and Unlocked by a Thumb Turn
Heavy Die Cast Rosette
KW1 Five Pin Keyway with Brass Pins.
Nickel Plated Brass Keys (2)
Reversible Non Handed



CONTENTS

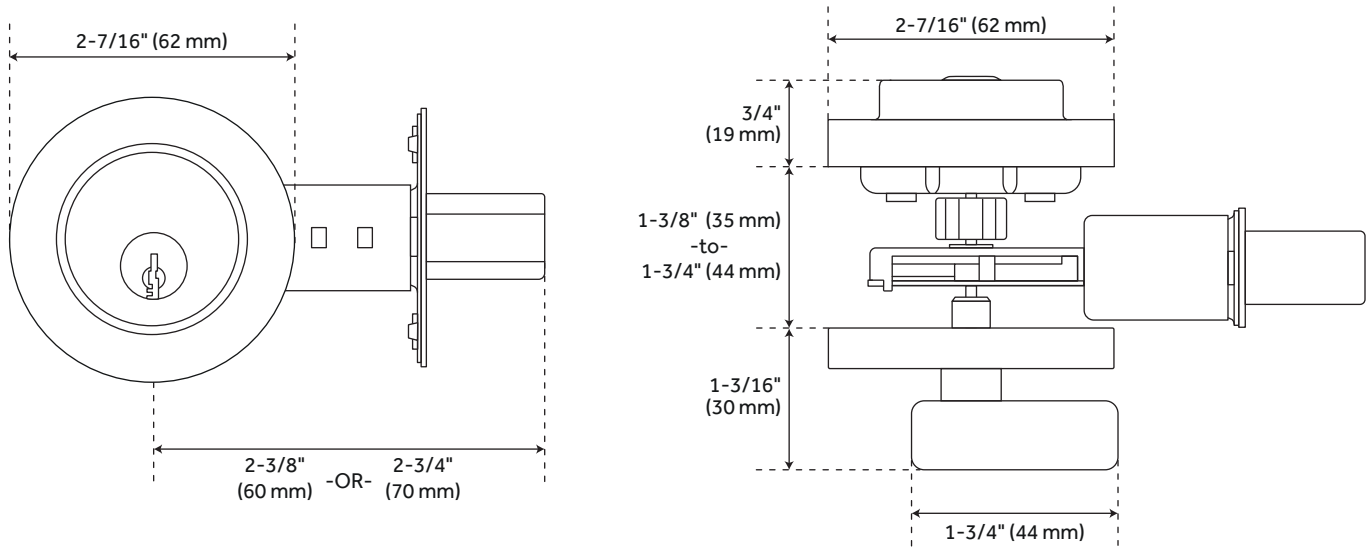
DEADBOLT PAGE 2

REVISED 07/12/2021

EWING

1-CYLINDER STAINLESS STEEL DEADBOLT

SKU: 951719-KE-DB



FEATURES

Width: 2-9/16"
Height: 2-9/16"
Depth: 1-1/16" / 15/16"
Handle Length: 1-3/4"
Fits Standard Door Thickness:
1-3/8" to 1-3/4"
Door Preparation
Cross Bore: 2-1/8"; Edge: 1"
Latch Backset:
Adjustable 2-3/8" or 2-3/4"

CODES/STANDARDS

Meets the requirements of Grade 3

PRODUCT IMAGE

