

PRESSURE BALANCE

ROUGH-IN VALVE FOR SIMPLE SELECT TRIMS

SKU: 460073



FEATURES

- Material: Bronze
- Features: Pressure-Balanced
- Dual Functionality Allows for One or Both Shower Features to Run at a Time
- Pressure Balanced With Integral Stops
- One-Piece Cartridge Design for Ease of Maintenance
- Back-to-Back Capability
- Adjustable Temperature Limit Stop
- Quick Remove Plaster Guard
- Easy Mounting Brackets
- Compatible With Greyfield, Hibiscus, Pendleton, Pinecrest, Provincetown and Vilamonte Simple Select Trims
- With Restrictor Installed, This Valve is Compliant With CALGreen and the California Plumbing Code

CONTENTS

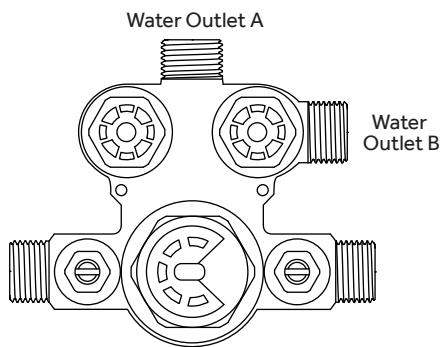
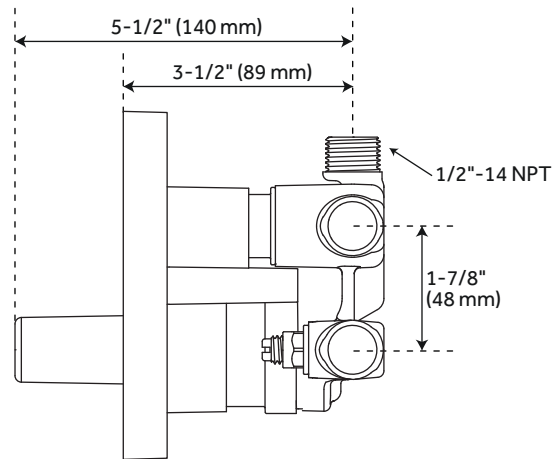
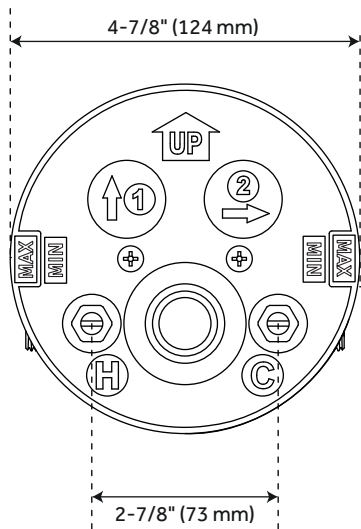
ROUGH-IN VALVE PAGE 2

REVISED 03/11/2021

PRESSURE BALANCE

ROUGH-IN VALVE FOR SIMPLE SELECT TRIMS

SKU: 460073



STANDARD:

PRESSURE (psi)		20	40	60	80
Simultaneous (Both Valves Open)	TOTAL (gpm)	3.4	5	6.3	7.4
	Outlet A (gpm)	1.2	2.2	2.9	3.5
	Outlet B (gpm)	2.2	2.8	3.4	3.9
Separate (A or B Closed)	Outlet A (gpm)	2.5	3.9	4.8	5.5
	Outlet B (gpm)	2.5	3.9	4.8	5.5

WITH FLOW RESTRICTOR:

PRESSURE (psi)		20	40	60	80
Simultaneous (Both Valves Open)	TOTAL (gpm)	1.20	1.40	1.53	1.64
	Outlet A (gpm)	0.43	0.56	0.64	0.68
	Outlet B (gpm)	0.77	0.84	0.89	0.96
Separate (A or B Closed)	Outlet A (gpm)	1.17	1.38	1.49	1.59
	Outlet B (gpm)	1.16	1.39	1.49	1.60

FEATURES

- Length: 4-7/8"
- Width: 4-3/8"
- Depth: 5-1/2"
- Connection: 1/2"-14 NPT

CODES/STANDARDS

- cUPC
- ASME A112.18.1/CSA B125.1
- ASSE 1016 Type P
- Massachusetts Accepted

PRODUCT IMAGE



All dimensions and specifications are nominal and may vary. Use actual products for accuracy in critical situations.

PAGE 2
Code: SH5001SSG