

# JAIDYN

## ACRYLIC FREESTANDING TUB

SKU: 946781



### FEATURES

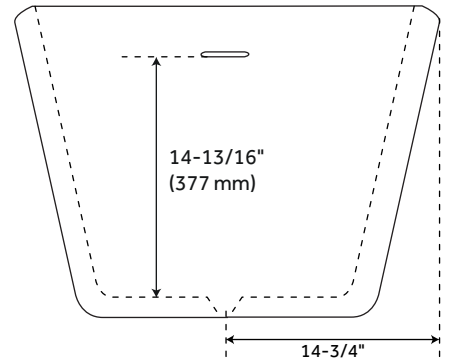
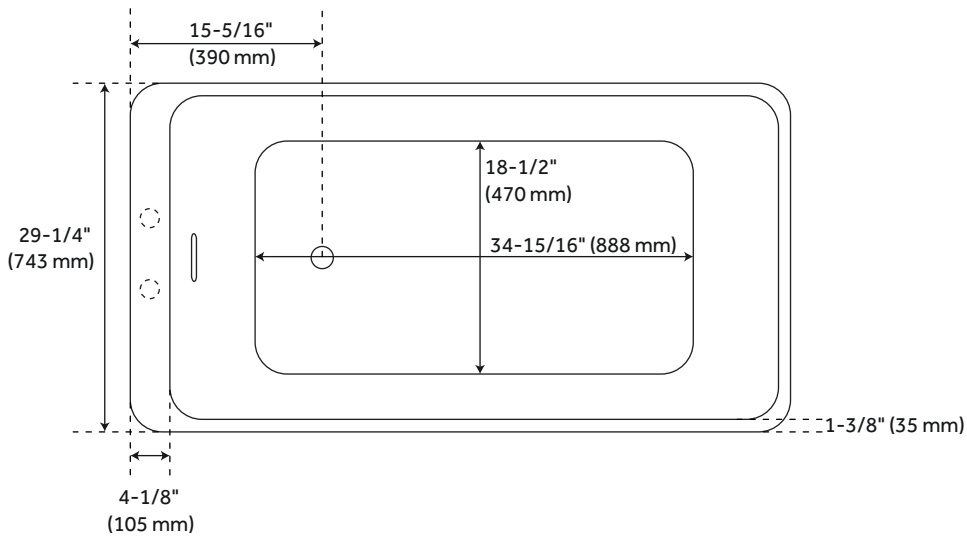
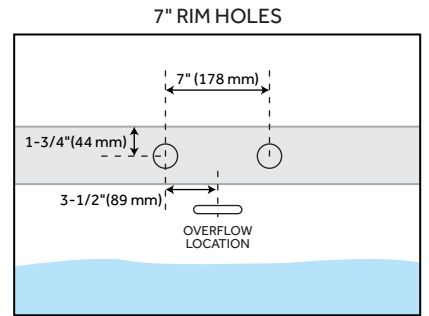
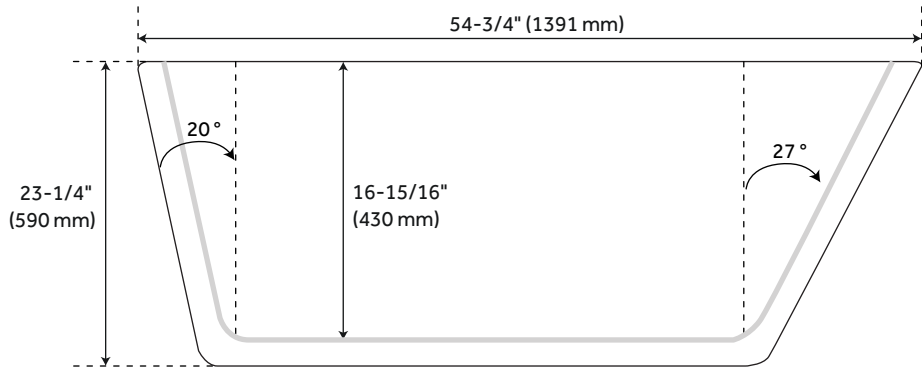
- Product Finish: White
- Features: Integral Drain & Overflow
- Overflow Hole: Yes
- Integral Drain & Overflow : Yes
- Shape: Rectangle
- Material: Acrylic
- Drain Included: Yes
- Faucet Included: No
- Built-In Adjusters: Yes
- Trim Kit Includes: Pop-Up Drain with Matching Drain Cover and Overflow Plate in your Choice of Color
- Formed of Two Acrylic Sheets, the Air Between Acting as Thermal Insulator
- Insulation Option: Increases Heat Retention and Prevents Condensation Due to Water and Air Temperature Fluctuations

### CONTENTS

55" TUB	.....	PAGE 2
67" TUB	.....	PAGE 3

REVISED 03/05/2021

# 55" JAIDYN



## FEATURES

- Length: 54-3/4"
- Width: 29-1/4"
- Height: 23-1/4"
- Tub Interior Length: 34-15/16"
- Tub Interior Width: 18-1/2"
- Water Depth With Overflow: 14-3/16"
- Water Depth To Rim: 16-15/16"
- Water Capacity Without Overflow (Gallons): 66
- Water Capacity With Overflow (Gallons): 58
- Tub Weight Uncrated (lbs): 148
- Tub Weight Crated (lbs): 243

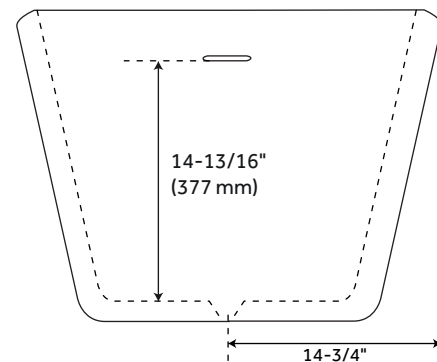
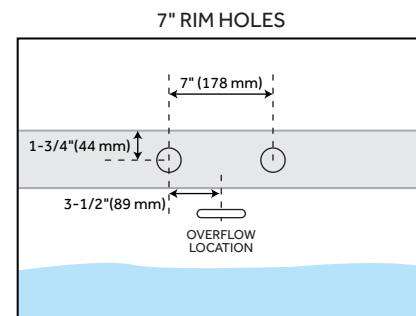
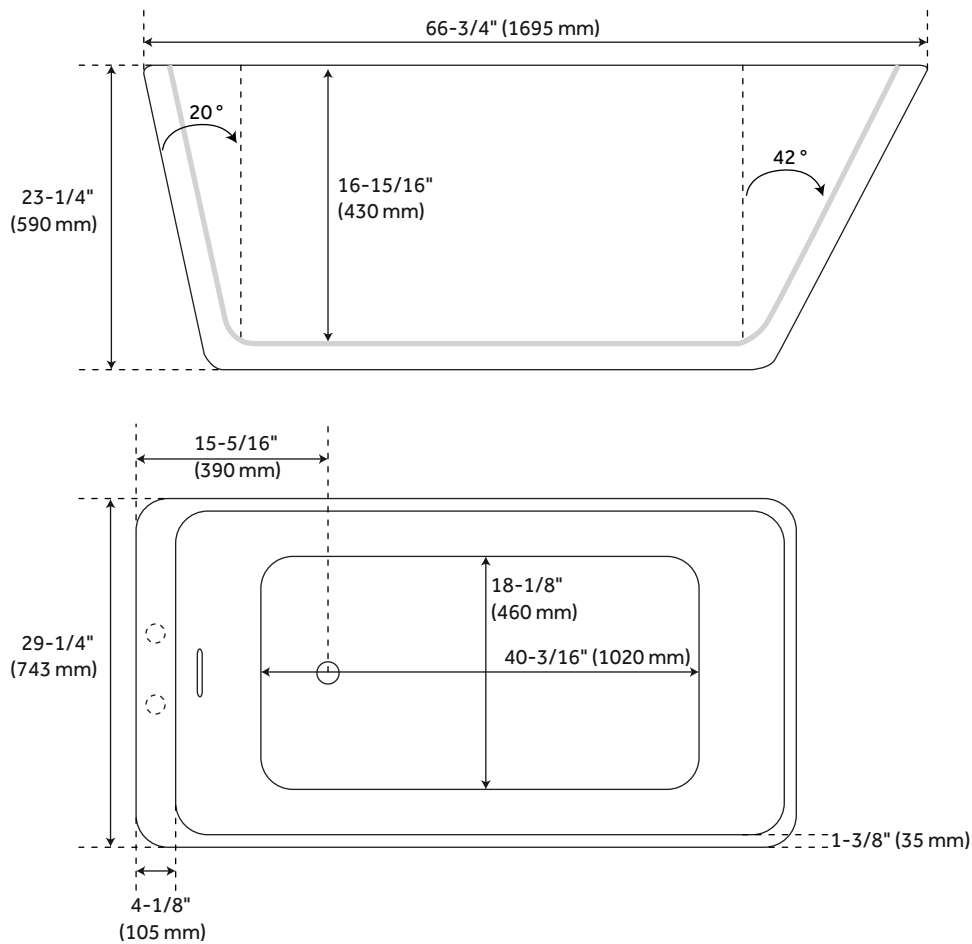
## PRODUCT IMAGE



# 67" JAIDYN

## ACRYLIC FREESTANDING TUB

SKU: 946781



### FEATURES

- Length: 66-3/4"
- Width: 29-1/4"
- Height: 23-1/4"
- Tub Interior Length: 40-3/16"
- Tub Interior Width: 18-1/8"
- Water Depth With Overflow: 14-3/16"
- Water Depth To Rim: 16-15/16"
- Water Capacity Without Overflow (Gallons): 78
- Water Capacity With Overflow (Gallons): 69
- Tub Weight Uncrated (lbs): 153
- Tub Weight Crated (lbs): 243

### PRODUCT IMAGE

