

PENDLETON 4-HOLE ROMAN TUB FILLER AND HAND SHOWER

SKU: 949847

Code: SHPT4RTG, SH674164



FEATURES

Material: Metal construction for strength and durability

Installation Type: Deck Mount

Flow Rate: 14.5 gpm (54.9 L/min) @80 psi

Hand Shower Flow Rate: 1.75 gpm (6.6 L/min) @ 80 psi

Spray Type: Full

Cartridge Type: Ceramic Disc

Swivel Spout: No

Required for Installation: Rough-in valve: SH674164

ASME A112.18.1/CSA B125.1, ICC/ANSI A117.1, CEC Listed, WaterSense by IAPMO, Massachusetts Accepted, LISTED ID: SHPT4RTG*, SH674164



ADDITIONAL FEATURES

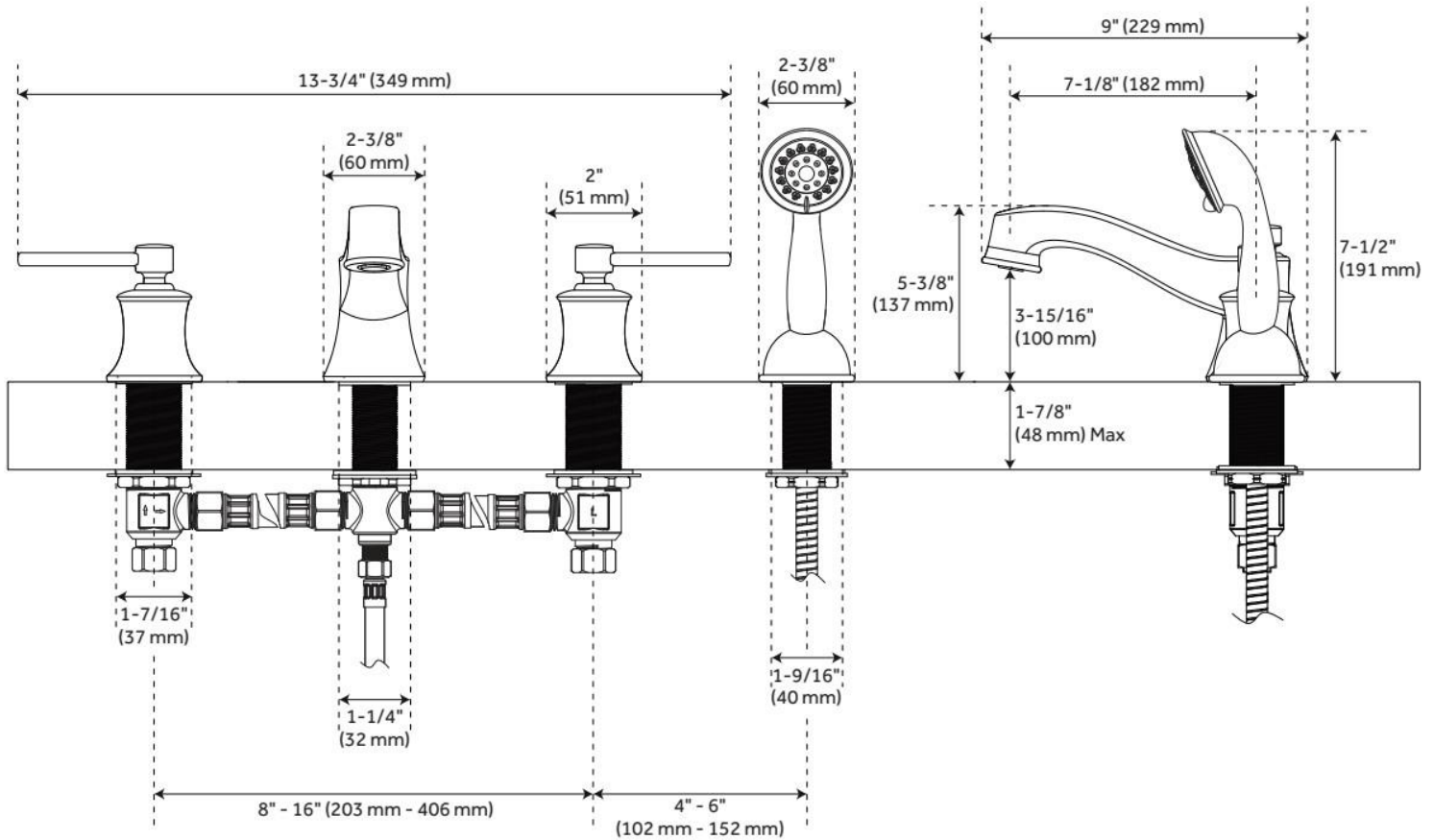
- Metal Handles.
- 4-hole installation.
- Lift rod diverter to hand shower.
- Factory installed backflow prevention check valve.
- When purchased with valve, flow rate is 14.5 gpm (54.9 L/min) @80 psi.

REVISED 5/15/2024

PENDLETON 4-HOLE ROMAN TUB FILLER AND HAND SHOWER

SKU: 949847

Code: SHPT4RTG, SH674164



REVISED 5/15/2024

4-HOLE ROMAN TUB FAUCET ROUGH-IN VALVE

SKU: 448005
Code: SH674164

FEATURES

Installation Type: Deck Mount



ASME A112.18.1/CSA B125.1, Massachusetts Accepted, LISTED ID: SH674164



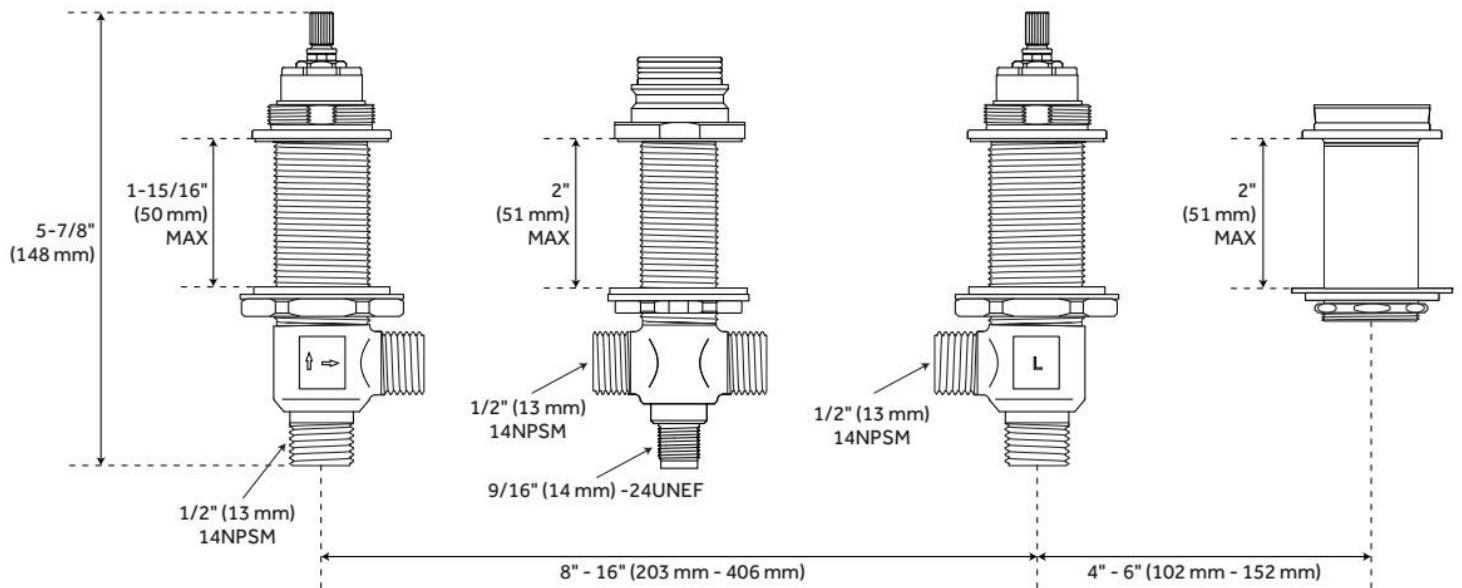
ADDITIONAL FEATURES

- Compatible with Beasley, Carraway, Provincetown, St. Martin and Vilamonte 4-Hole Roman Tub Faucets.
- 4-Hole Installation.
- Brass coupling nut.
- Faucet can be installed with variable centers from 8" - 16".

REVISED 5/15/2024

4-HOLE ROMAN TUB FAUCET ROUGH-IN VALVE

SKU: 448005
Code: SH674164



REVISED 5/15/2024