

LENTZ PRESSURE BALANCE SHOWER VALVE TRIM - LEVER HANDLE

SKU: 951350

Code: SHLZ8010LH, SHLZLEV, SH4001



FEATURES

Installation Type: Wall Mount

Features: Pressure-Balanced

Design: Modern

Material: Brass

Handle Type: Lever

Valve Trim Width: 6-3/4"

Valve Trim Height: 6-3/4"

IAPMO PMG

ASME A112.18.1/CSA B125.1



REVISED 3/22/2023

LENTZ PRESSURE BALANCE SHOWER VALVE TRIM - LEVER HANDLE

SKU: 951350

Code: SHLZ8010LH, SHLZLEV, SH4001



ADDITIONAL FEATURES

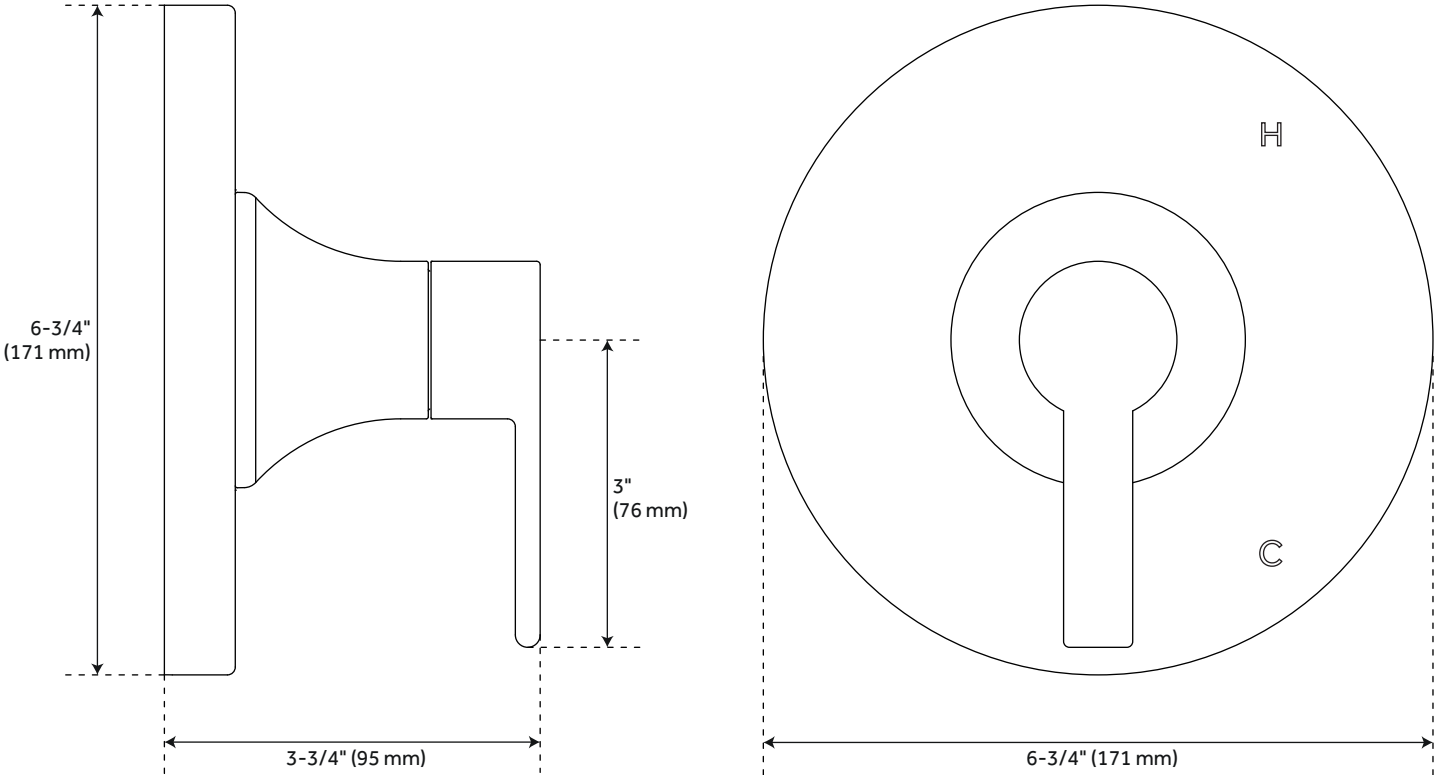
- Metal Handle.
- Optional Rough-in Valve:
 - Pressure balance valve with integral stops.
 - One-piece cartridge design for ease of maintenance.
 - Back-to-back capability.
 - Ceramic disc valve cartridge.
 - Cast bronze valve body.
 - Adjustable temperature limit stop.
 - Quick remove plaster guard.
 - Easy mounting brackets.

REVISED 3/22/2023

LENTZ PRESSURE BALANCE SHOWER VALVE TRIM - LEVER HANDLE

SKU: 951350

SHLZ8010LH, SHLZ8010LHZ, SHLZPBLEV, SHLZPBLEVZ

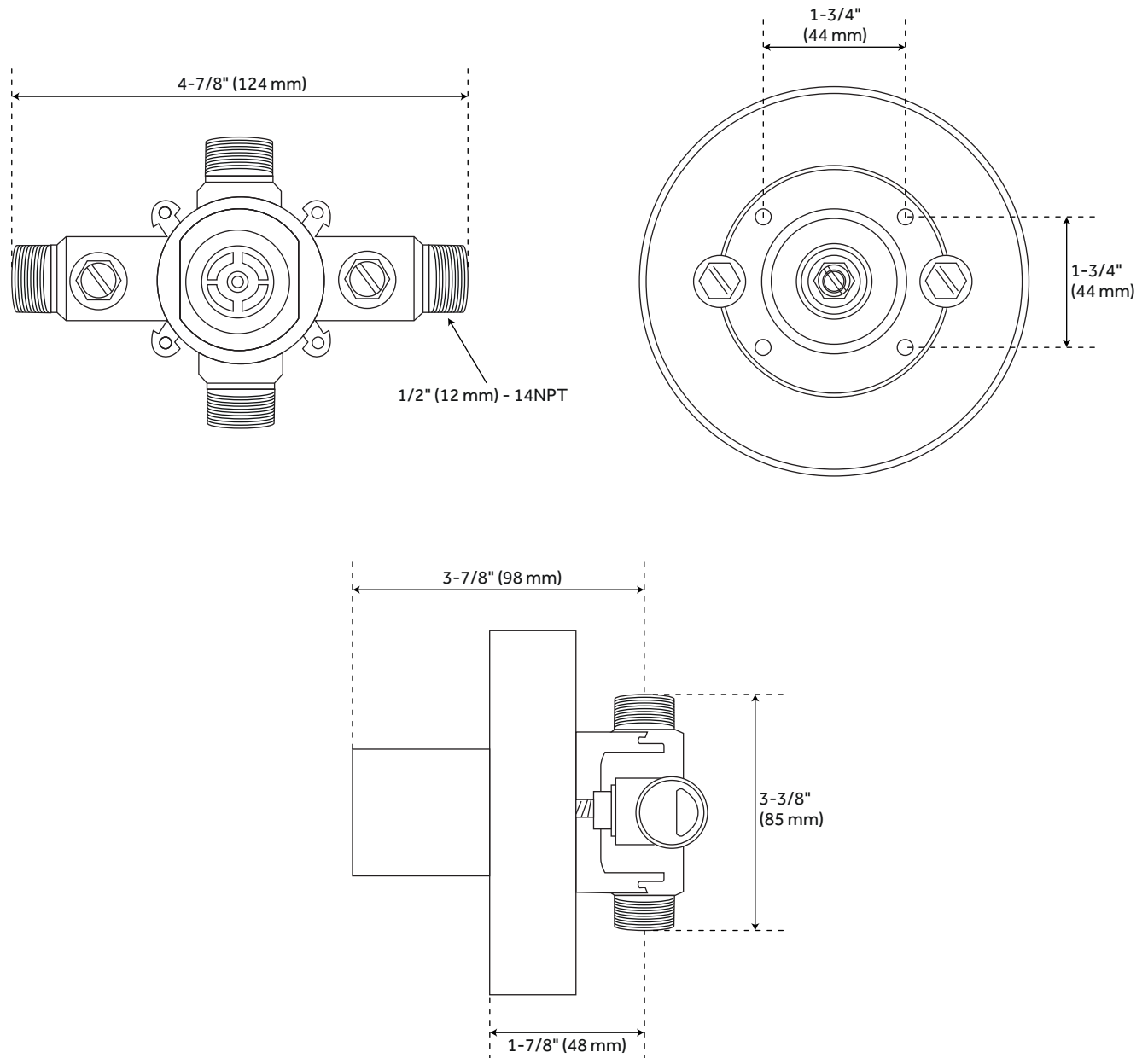


All dimensions and specifications are nominal and may vary. Use actual products for accuracy in critical situations.

LENTZ OPTIONAL ROUGH-IN VALVE FOR PRESSURE BALANCE SHOWER VALVE TRIM

SKU: 951350

SH4001



All dimensions and specifications are nominal and may vary. Use actual products for accuracy in critical situations.