

LENTZ FREESTANDING TUB FAUCET - LEVER HANDLE

SKU: 951348

Code: SHLZFS2000G, SHLZFSTFLEV, SHFSR2000, SHLZFS2000G, SHLZFSTFLEV, SHLZFS2000G, SHLZFSTFLEV, SHFSR2000WS



FEATURES

Installation Type: Freestanding
Features: Hand Shower Included
Design: Modern
Material: Brass
Width: 12-7/8"
Height: 42-5/8"
Faucet Centers: Single-Hole
Handle Type: Lever
Diverter Included: Yes
Height To Spout: 37-3/8"
Spout Reach: 9-1/2"
Ceramic Disc Cartridges: Yes
Hot and Cold Indicators: No
Tub Faucet Material: Metal

IAPMO PMG

ASME A112.18.1/CSA B125.1



REVISED 3/17/2023

LENTZ FREESTANDING TUB FAUCET - LEVER HANDLE

SKU: 951348

Code: SHLZFS2000G, SHLZFSTFLEV, SHFSR2000, SHLZFS2000G, SHLZFSTFLEV, SHLZFS2000G, SHLZFSTFLEV, SHFSR2000WS



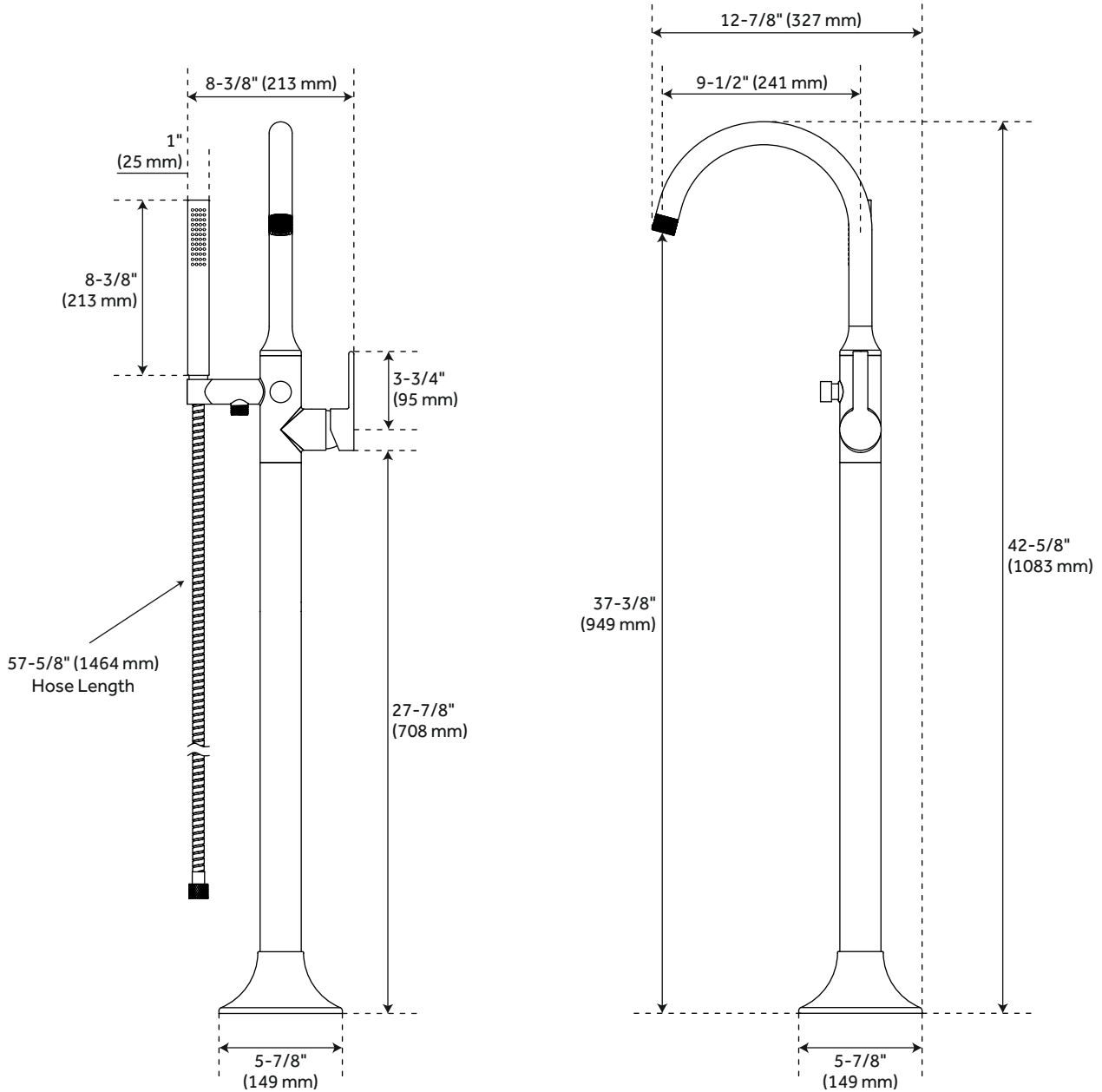
ADDITIONAL FEATURES

- Spout max. flow rate: 10.5 (39.7 L/min) @ 80 psi.
- Single function hand shower.
- Integral diverter to hand shower.
- Handshower includes factory installed backflow prevention check valve.
- A knurled and smooth aerator is included with the faucet.
- Installation on an existing concrete slab will require cutting and concrete removal.

REVISED 3/17/2023

LENTZ FREESTANDING TUB FAUCET - LEVER HANDLE

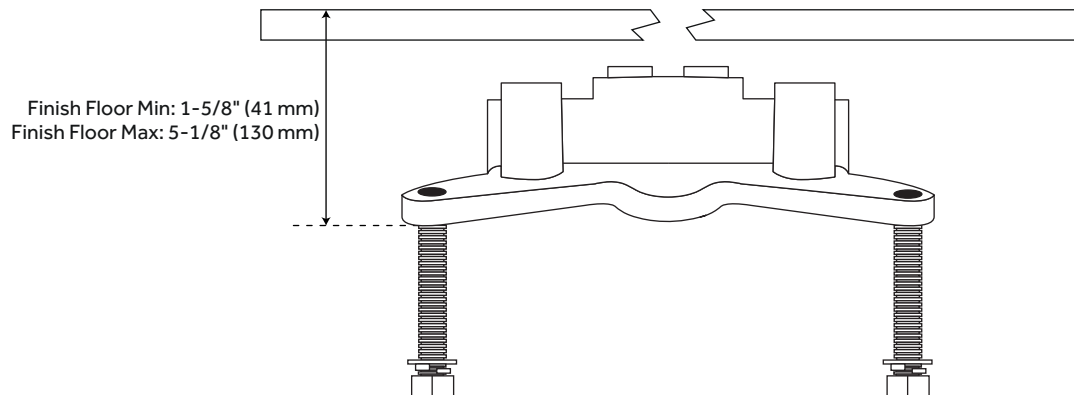
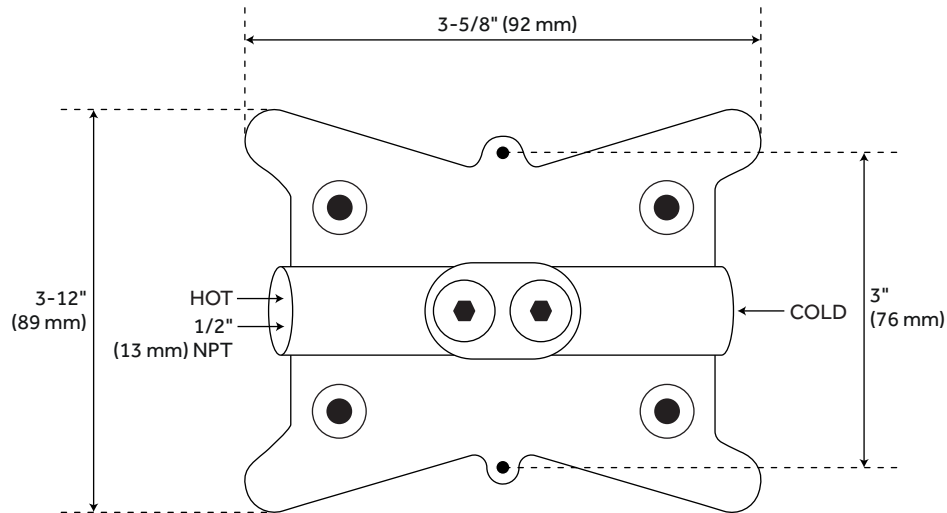
SKU: 951348
SHLZFS2000G



All dimensions and specifications are nominal and may vary. Use actual products for accuracy in critical situations.

LENTZ OPTIONAL FREESTANDING TUB FAUCET ROUGH-IN VALVE

SKU: 446521
SHFSR2000



All dimensions and specifications are nominal and may vary. Use actual products for accuracy in critical situations.