

HIBISCUS

SIMPLE SELECT DUAL SHOWER HEAD SHOWER SYSTEM

SKU: 949740



FEATURES

Dual functionality allows for one or both shower features to run at a time.
Dual single function shower heads (full spray) with easy-clean silicone nozzles.
Optional Rough-in Valve

SIGNATURE HARDWARE Lifetime Warranty

See website for detailed warranty information.

CONTENTS

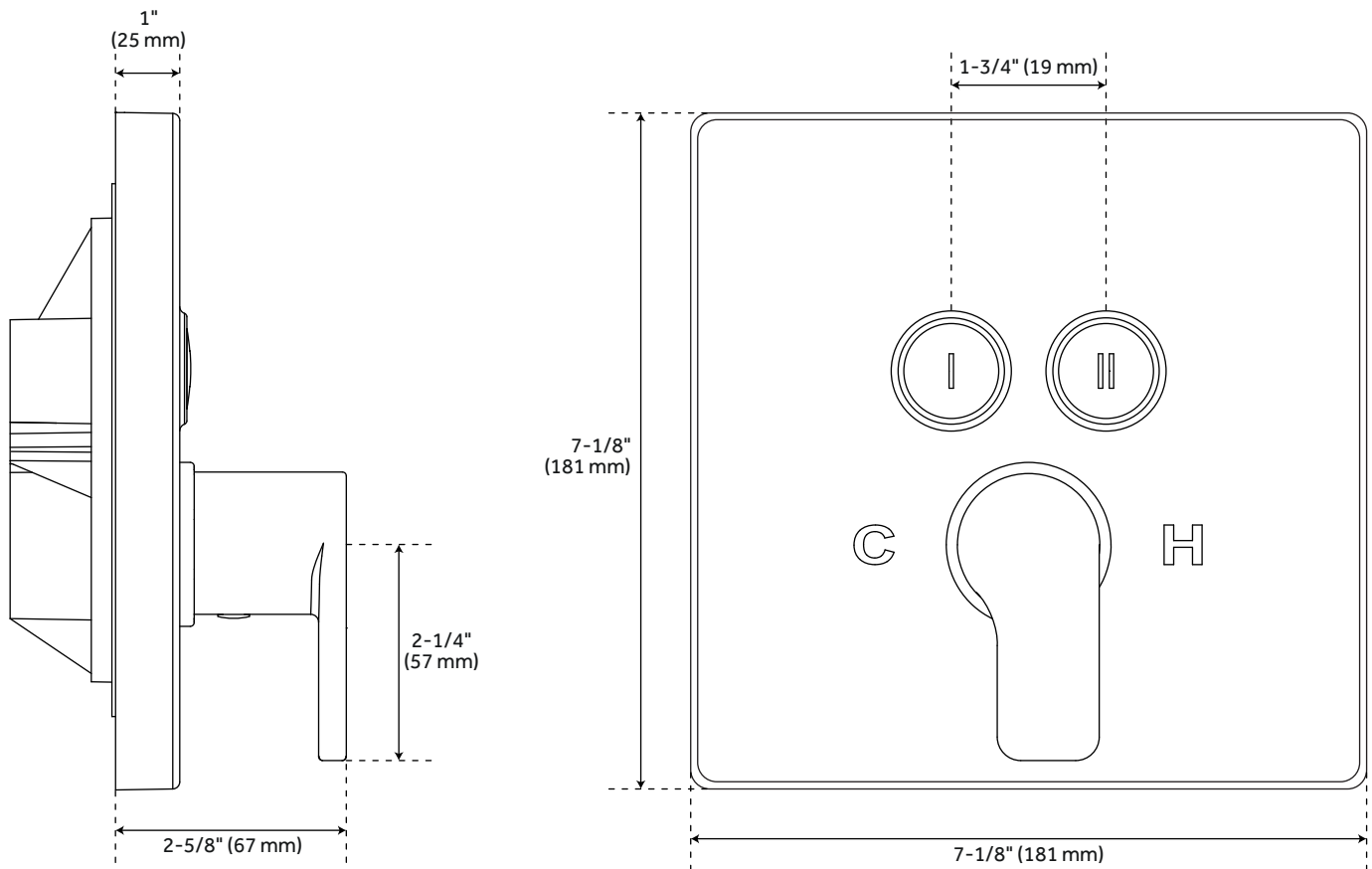
VALVE TRIM	PAGE 2
ROUGH-IN VALVE	PAGE 3
SHOWER HEAD	PAGE 4
SHOWER ARM	PAGE 5

REVISED 01/19/2021

HIBISCUS

SIMPLE SELECT TRIM

SKU: 948974



FEATURES

Material: Brass
Width: 7-1/8"
Height: 7-1/8"
Depth: 2-5/8"
NPT Connection: 1/2"

CODES/STANDARDS

cUPC
ASME A112.18.1/CSA B125.1

SIGNATURE HARDWARE LIFETIME WARRANTY

See website for warranty information



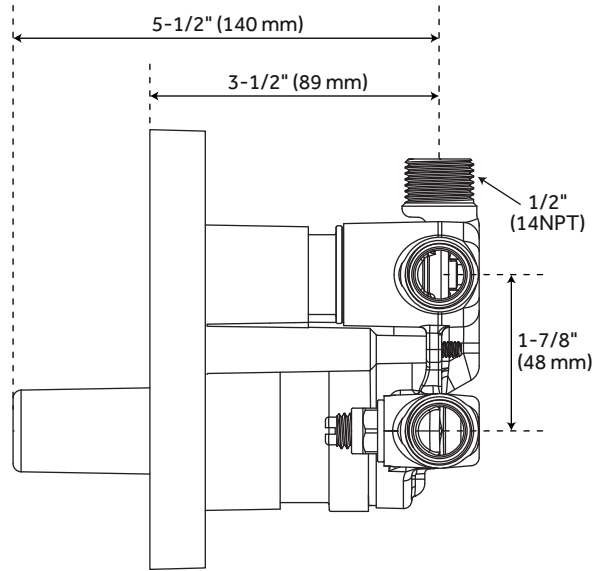
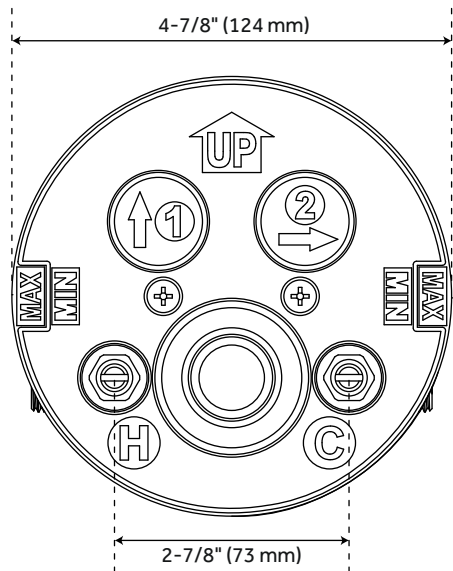
PAGE 2
Code: SHHB8040

All dimensions and specifications are nominal and may vary. Use actual products for accuracy in critical situations.

HIBISCUS

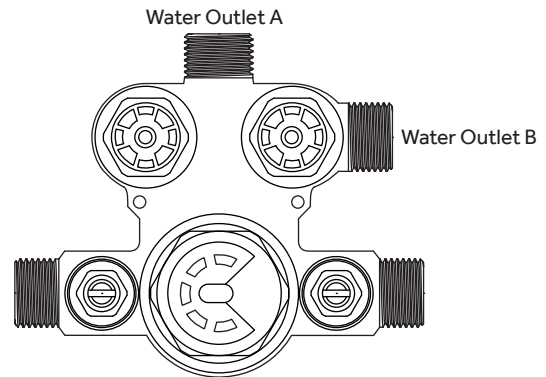
ROUGH-IN VALVE FOR SIMPLE SELECT TRIMS

SKU: 448566



PAGE 3

Pressure (PSI)		20	40	60	80
Simultaneous (Both Valves Open)	Total (GPM)	3.4	5	6.3	7.4
	Outlet A (GPM)	1.2	2.2	2.9	3.5
	Outlet B (GPM)	2.2	2.8	3.4	3.9
Separate (A or B Closed)	Outlet A (GPM)	2.5	3.9	4.8	5.5
	Outlet B (GPM)	2.5	3.9	4.8	5.5



FEATURES

- Material: Bronze
- Length: 4-7/8"
- Width: 4-3/8"
- Depth: 5-1/2"
- Features: Pressure-Balanced
- NPT Connection: 1/2"
- Dual Functionality Allows For One or Both Shower Features to Run at a Time
- Pressure Balanced With Integral Stops
- One-Piece Cartridge Design For Ease of Maintenance
- Back-to-Back Capability
- Adjustable Temperature Limit Stop
- Quick Remove Plaster Guard
- Easy Mounting Brackets
- Compatible With Greyfield, Hibiscus, Pinecrest, Provincetown, Pendleton and Vilamonte Simple Select Trims

CODES/STANDARDS

- cUPC
- ASME A112.18.1/CSA B125.1
- ASSE 1016 Type P



SIGNATURE HARDWARE LIFETIME WARRANTY

See website for warranty information



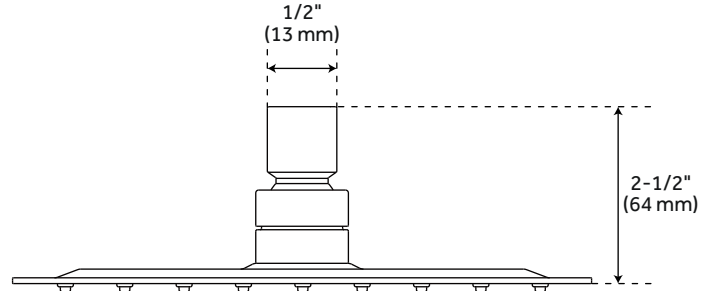
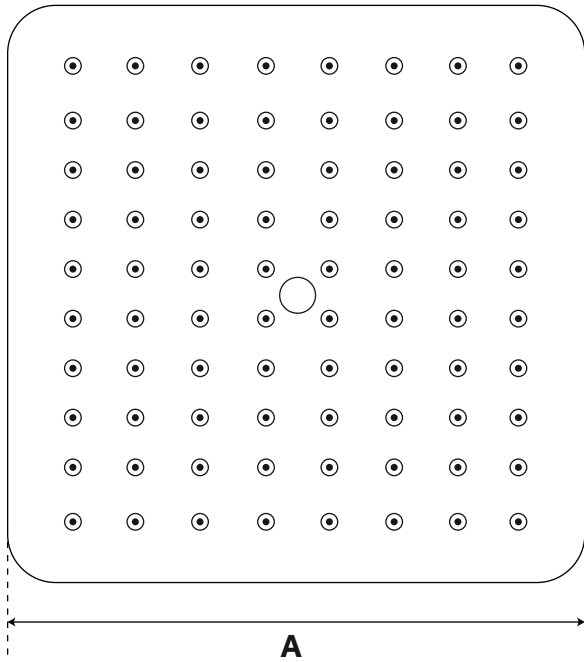
PAGE 3
Code: SH5001SS

All dimensions and specifications are nominal and may vary. Use actual products for accuracy in critical situations.

HIBISCUS

SQUARE RAINFALL SHOWER HEAD WITH ROUNDED CORNERS

SKU: 948947



Product Code	Reference A	Max Flow-Rate
SHRS820SG	8" (203 mm)	1.8 gpm (6.8L/min) max @ 80 psi
SHRS825S	8" (203 mm)	2.5 gpm (9.5L/min) max @ 80 psi
SHRS1020SG	10" (254 mm)	1.8 gpm (6.8L/min) max @ 80 psi
SHRS1025S	10" (254 mm)	2.5 gpm (9.5L/min) max @ 80 psi
SHRS1225S	12" (305 mm)	2.5 gpm (9.5L/min) max @ 80 psi

FEATURES

Shape: Square
 Material: Stainless Steel
 Features: Shower Head Only
 Height: 2-1/2"
 Shower Head Spray: Rainfall
 Shower Head Swivel: Yes
 Single Function Shower Head (Full Spray)
 Easy Clean Rubber Nozzles
 Brass Ball Joint
 IPS: 1/2"

CODES/STANDARDS

SHRS820S/SHRS1020SG
 cCSAus
 ASME A112.18.1/CSA B125.1
 WaterSense
 CEC Listed
 Massachusetts Accepted



SHRS825S/SHRS1025S/SHRS1225S
 cCSAus
 ASME A112.18.1/CSA B125.1
 Massachusetts Accepted



SIGNATURE HARDWARE LIFETIME WARRANTY

See website for warranty information

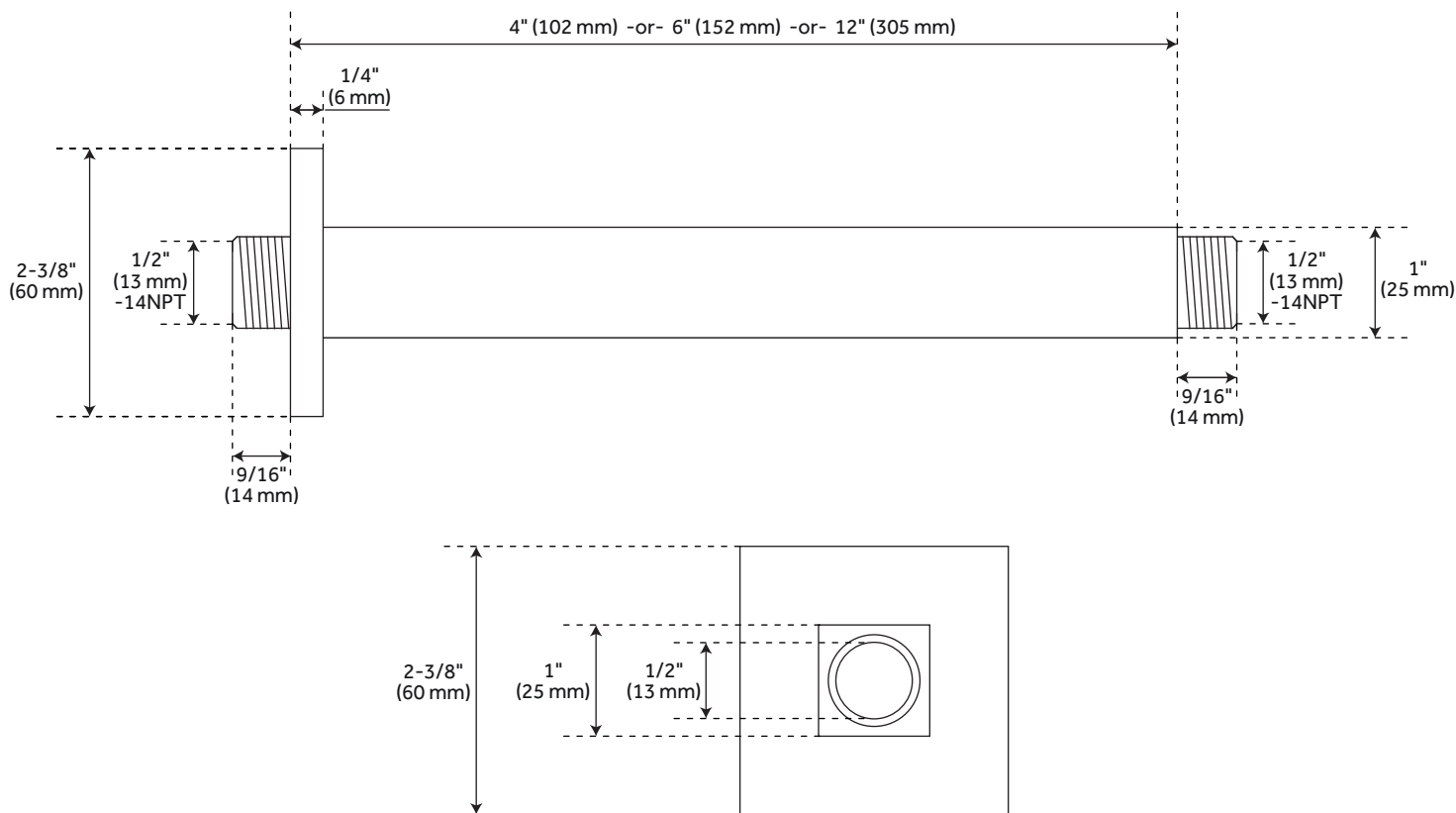


All dimensions and specifications are nominal and may vary. Use actual products for accuracy in critical situations.

HIBISCUS

CEILING-MOUNT SHOWER ARM

SKU: 948959



FEATURES

Shape: Square
 Material: Brass
 Features: Shower Arm Only
 Base Plate Length: 2-3/8"
 Base Plate Width: 2-3/8"
 Installation Type: Ceiling Mount
 Escutcheon Included
 IPS: 1/2"

CODES/STANDARDS

cUPC
 ASME A112.18.1/CSA B125.1

SIGNATURE HARDWARE LIFETIME WARRANTY

See website for warranty information



PAGE 5
 Code: SHRSC40S, SHRSC60S, SHRSC120S

All dimensions and specifications are nominal and may vary. Use actual products for accuracy in critical situations.