

59" AVERILL

ACRYLIC FREESTANDING CORNER TUB

SKU: 951572



FEATURES

Product Finish: White
Features: Back to Wall, Corner
Overflow Hole: Integral
Shape: Specialty
Material: Acrylic
Tap Deck: No
Drain Included: Yes
Drain Placement: Center
Faucet Included: No
Faucet Drillings: No Drillings
Water Capacity (Gallons): 57
Built-In Adjusters: Yes
Tub Weight Uncrated (lbs): 155
Tub Weight Crated (lbs): 241

SIGNATURE HARDWARE Lifetime Warranty

See website for detailed warranty information.

CONTENTS

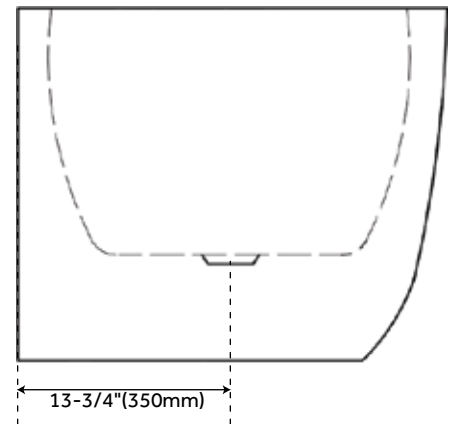
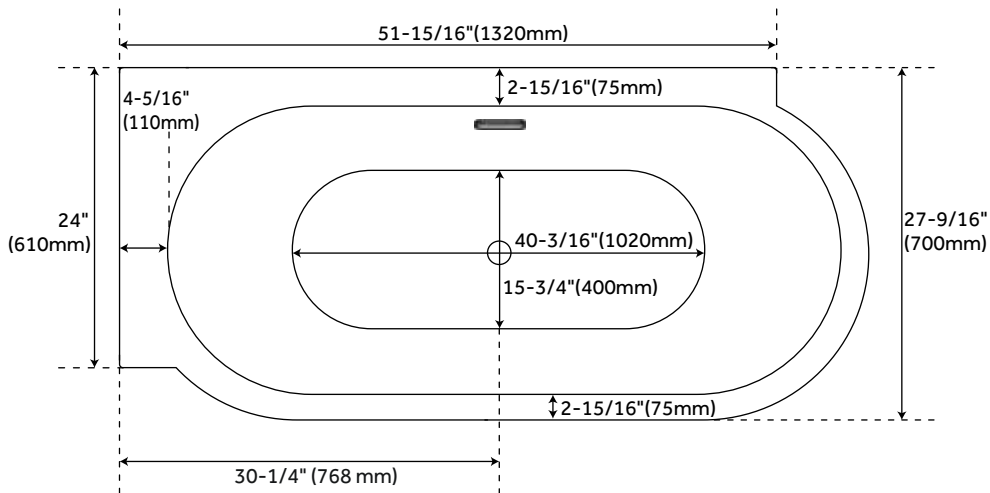
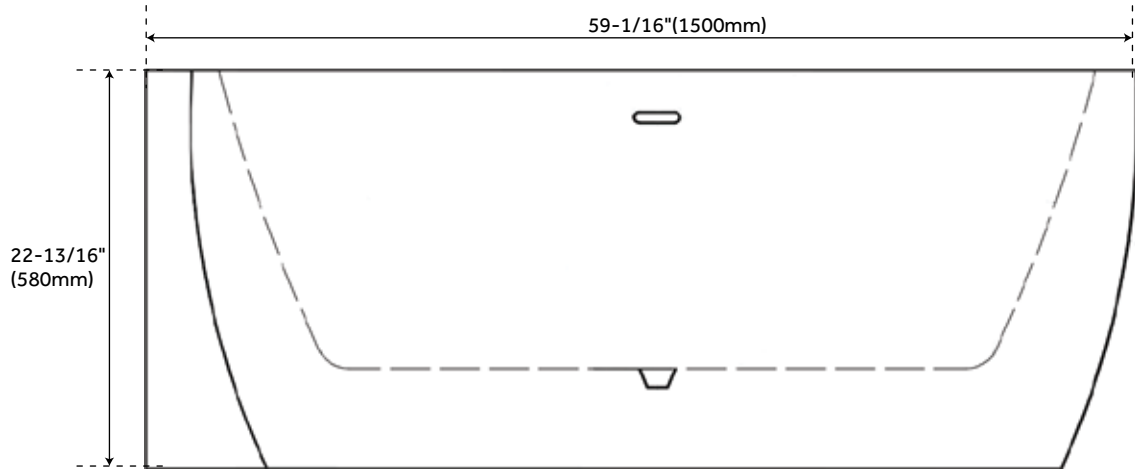
59" TUB LEFT CORNER PAGE 2
59" TUB RIGHT CORNER PAGE 3

REVISED 10/26/2021

59" AVERILL

ACRYLIC FREESTANDING CORNER TUB

SKU: 951572



FEATURES

- Length: 59-1/16"
- Width: 27-9/16"
- Height: 22-13/16"
- Tub Interior Length: 40-3/16"
- Tub Interior Width: 15-3/4"
- Water Depth to Overflow: 14-3/8"

PRODUCT IMAGE



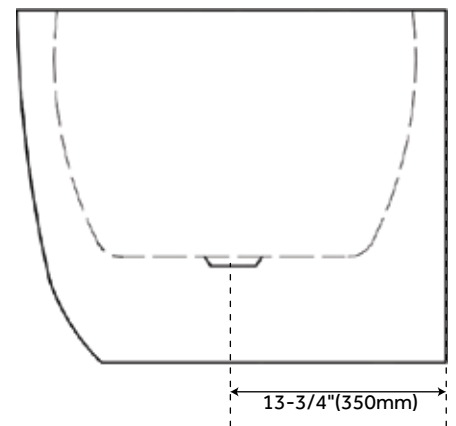
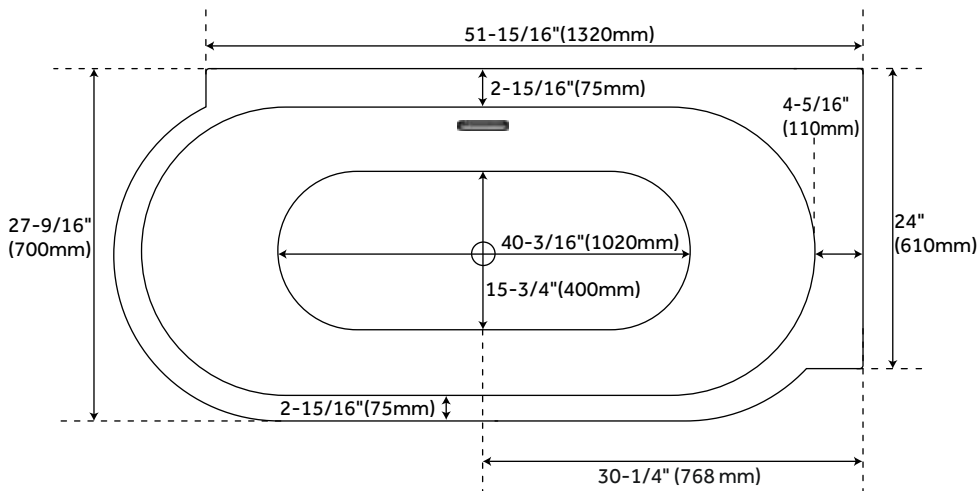
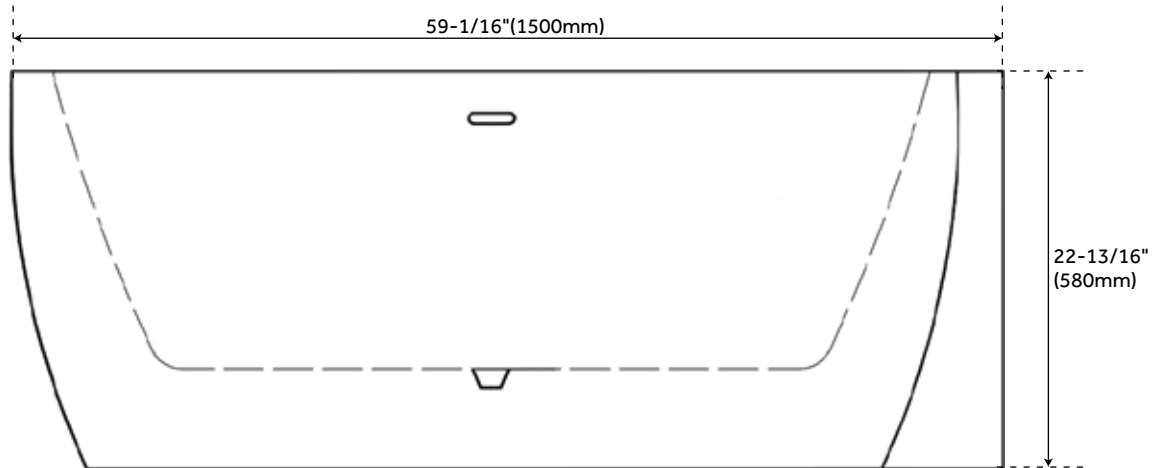
All dimensions and specifications are nominal and may vary. Use actual products for accuracy in critical situations.

PAGE 2

59" AVERILL

ACRYLIC FREESTANDING CORNER TUB

SKU: 951572



FEATURES

- Length: 59-1/16"
- Width: 27-9/16"
- Height: 22-13/16"
- Tub Interior Length: 40-3/16"
- Tub Interior Width: 15-3/4"
- Water Depth to Overflow: 14-3/8"

PRODUCT IMAGE



All dimensions and specifications are nominal and may vary. Use actual products for accuracy in critical situations.

PAGE 3