

HIBISCUS

SIMPLE SELECT PRESSURE BALANCE SHOWER TRIM

SKU: 948974



FEATURES

- Material: Brass
- Shape: Square
- Features: Pressure-Balanced
- Installation Type: Wall Mount
- Diverter Included: Optional
- Dual functionality allows for one or both shower features to run at a time.
- Optional Rough-in Valve
- Pressure balanced with integral stops.
- One-piece cartridge design for ease of maintenance.
- Back-to-back capability.
- Adjustable temperature limit stop.
- Cast bronze body.
- Quick remove plaster guard.
- Easy mounting brackets.

SIGNATURE HARDWARE Lifetime Warranty

See website for detailed warranty information.

CONTENTS

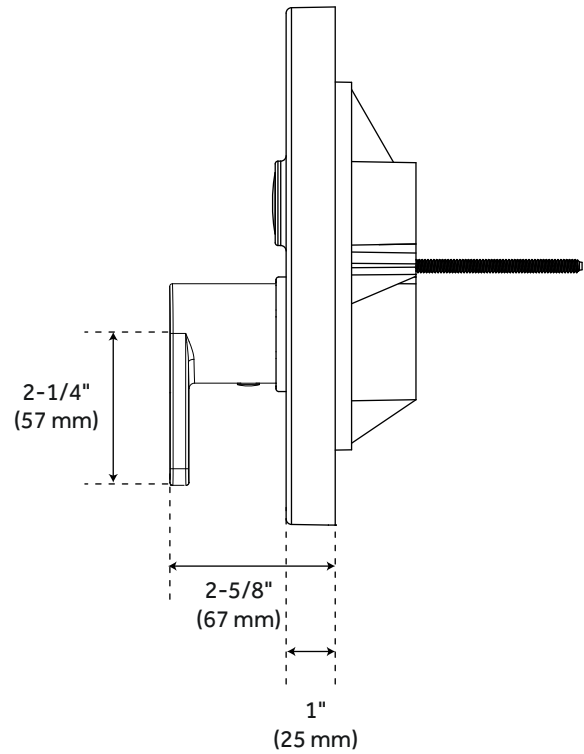
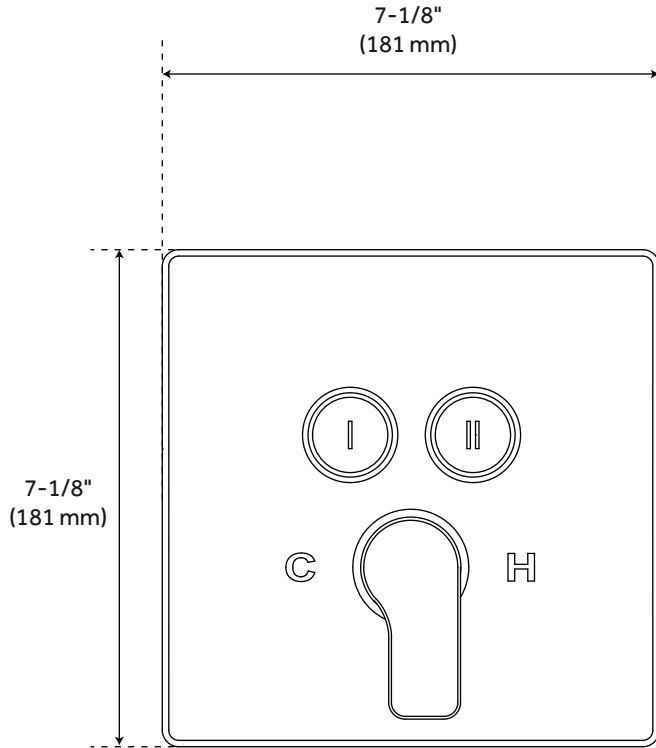
VALVE TRIM	PAGE 2
PRESSURE BALANCE VALVE	PAGE 3

REVISED 01/16/2020

HIBISCUS

SIMPLE SELECT VALVE TRIM

SKU: 948974



FEATURES

Valve Trim Width: 7-1/8"
Valve Trim Height: 7-1/8"
NPT Connection: 1/2"

CODES/STANDARDS

cUPC
ASME A112.18.1/CSA B125.1

SIGNATURE HARDWARE LIFETIME WARRANTY

See website for warranty information



Code: SHHB8040BN/SHHB8040CP/SHHB8040MB

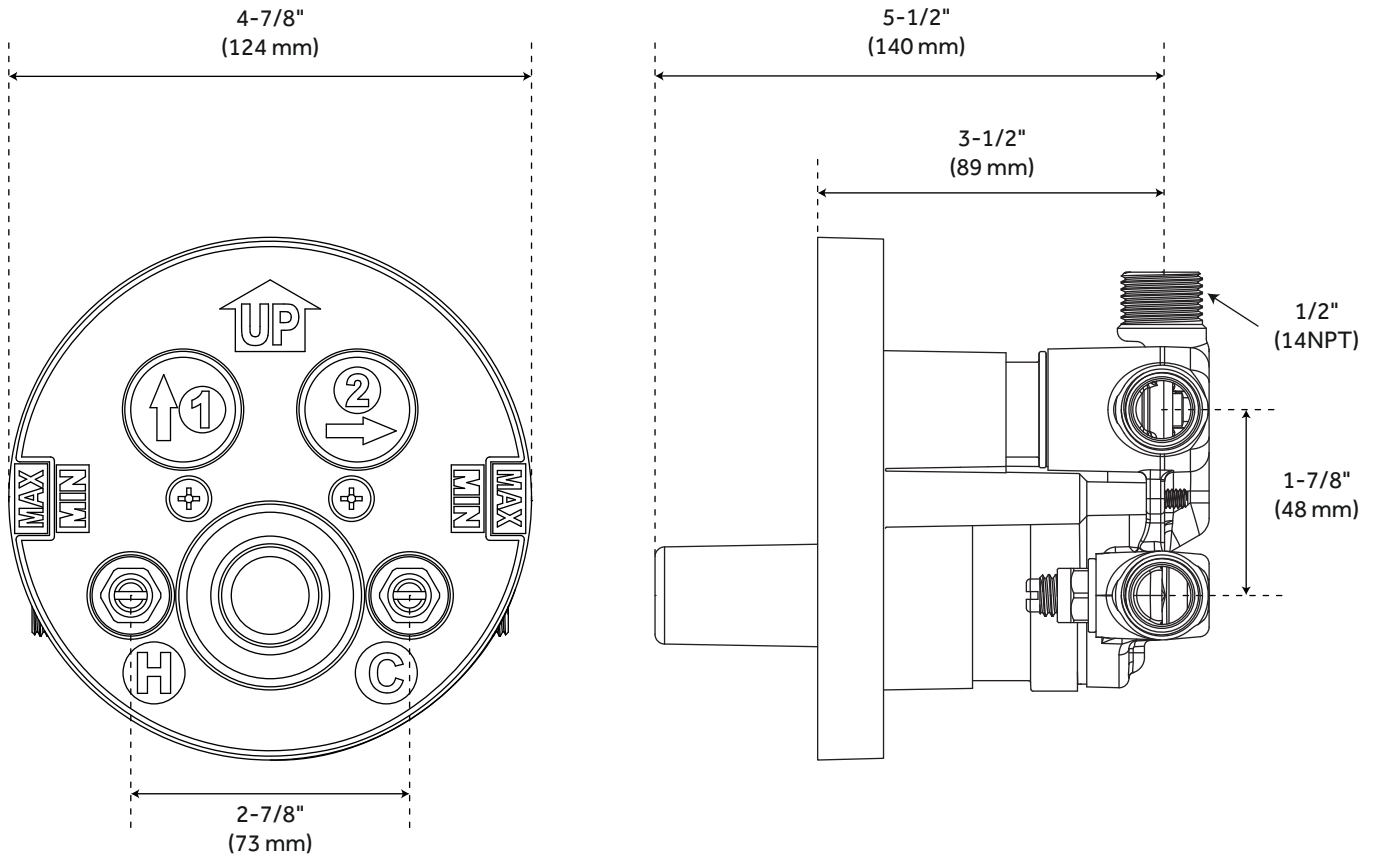
All dimensions and specifications are nominal and may vary. Use actual products for accuracy in critical situations.

PAGE 2

HIBISCUS

SIMPLE SELECT PRESSURE BALANCE VALVE

SKU: 948974



FEATURES

Valve Dimensions:
4-7/8" L x 4-3/8" W x 5-1/2" D

CODES/STANDARDS

cUPC
ASME A112.18.1/CSA B125.1
ASSE 1016 Type P

SIGNATURE HARDWARE LIFETIME WARRANTY

See website for warranty information



Code: SH5001SS

All dimensions and specifications are nominal and may vary. Use actual products for accuracy in critical situations.

PAGE 3