

PINECREST

3-WAY DIVERTER - LEVER HANDLE

SKU: 946627



FEATURES

Installation Type: Wall Mount
Length: 4-3/8"
Height: 4-3/8"
Depth: 3-5/8"
Diverter Included: Yes
Diverter Outlets: 3

SIGNATURE HARDWARE Lifetime Warranty

See website for detailed warranty information.

CONTENTS

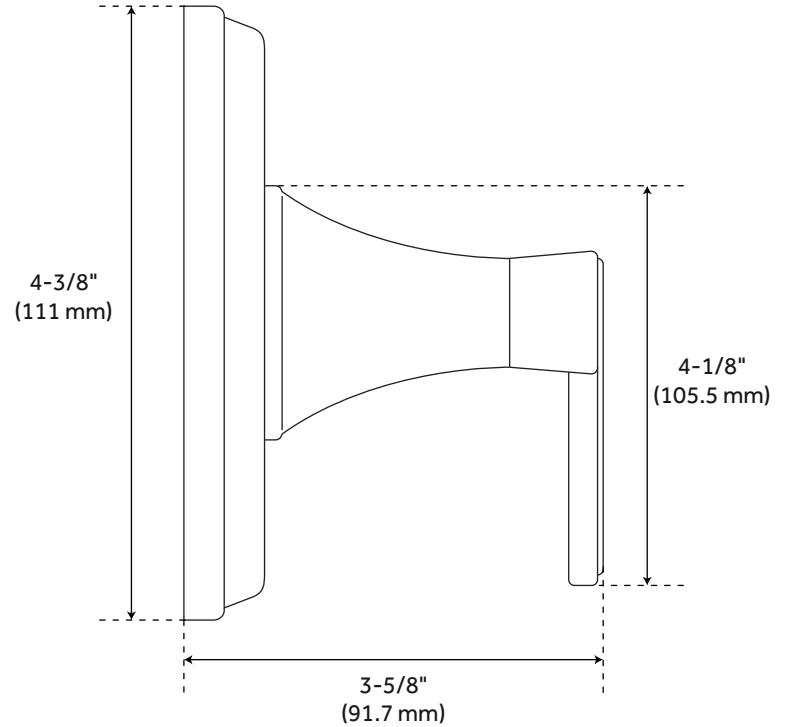
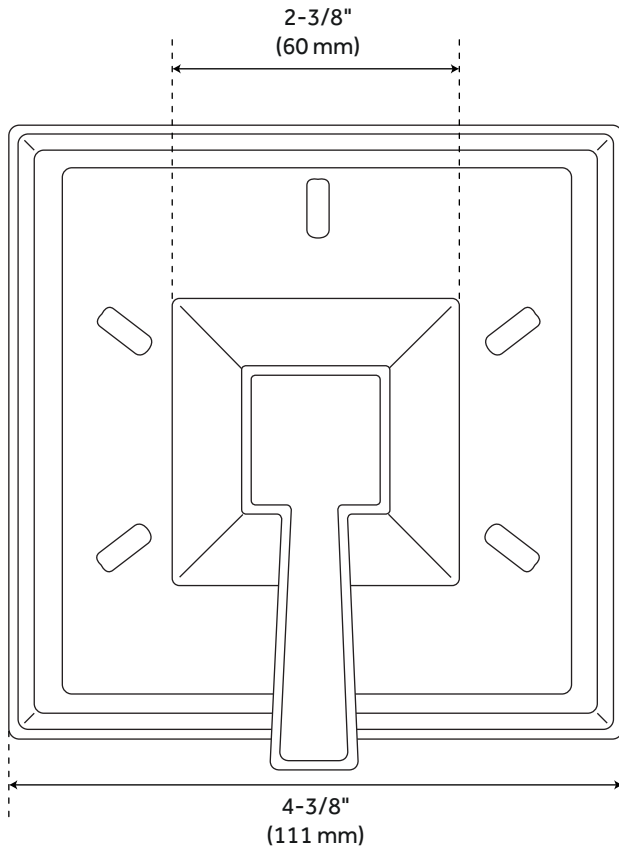
VALVE TRIM	PAGE 2
ROUGH-IN VALVE	PAGE 3

REVISED 01/20/2020

PINECREST

VALVE TRIM

SKU: 946627



FEATURES

Handle Type: Lever
Installation Type: Wall Mount
Features: Pressure-Balanced
Assembly Required: No
Design: Modern
Body Sprays: No
Valve Trim Width: 4-3/8"
Valve Trim Height: 4-3/8"
Diverter Included: Optional
Diverter Outlets: 3
Six total settings allow for shared water flow between outlets, giving you the ability to use two functions at once.
Available Single-Function Diverter Valve Cartridge restricts water flow to one outlet at a time.
Not intended as a shut off valve.

CODES/STANDARDS

cUPC
ASME A112.18.1/CSA B125.1
Massachusetts Accepted



SIGNATURE HARDWARE LIFETIME WARRANTY

See website for warranty information



PAGE 3

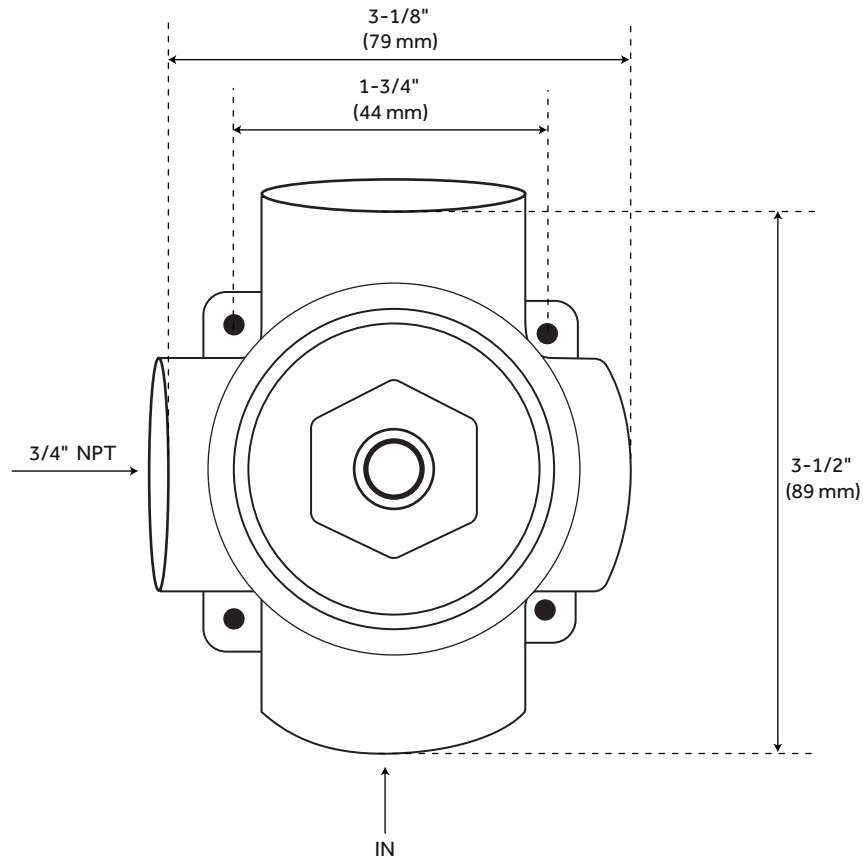
CODE: SHPC9005LHCP/SHPCTVLEVCP
SHPC9005LHPN/SHPCTVLEVPN

All dimensions and specifications are nominal and may vary. Use actual products for accuracy in critical situations.

PINECREST

DIVERTER ROUGH-IN VALVE

SKU: 946627



FEATURES

- Material: Brass
- NPT Connection: 3/4"
- Six total settings allow for shared water flow between outlets, giving you the ability to use two functions at once.
- Ceramic cartridge.
- Available Single-Function Diverter Valve
- Cartridge restricts water flow to one outlet at a time.
- Not intended as a shut off valve.
- Compatible with Boca Raton, Carraway, Edenton, Greyfield, Hibiscus, Key West, Pendleton, Pinecrest, Provincetown, Rigi, St. Martin and Vilamonte Diverter Trims.

CODES/STANDARDS

- cUPC
- ASME A112.18.1/CSA B125.1
- Massachusetts Accepted



SIGNATURE HARDWARE LIFETIME WARRANTY

See website for warranty information



All dimensions and specifications are nominal and may vary. Use actual products for accuracy in critical situations.

PAGE 3
Code: SH6103