

ENGEL

TEMPERED GLASS CORNER SHELF

SKU: 916693



FEATURES

- Installation Type: Wall Mount
- Features: Corner
- Design: Transitional
- Material: Glass
- Mounting Hardware Included: Yes
- Assembly Required: Yes
- Number of Shelves: 1
- Solid brass brackets

CONTENTS

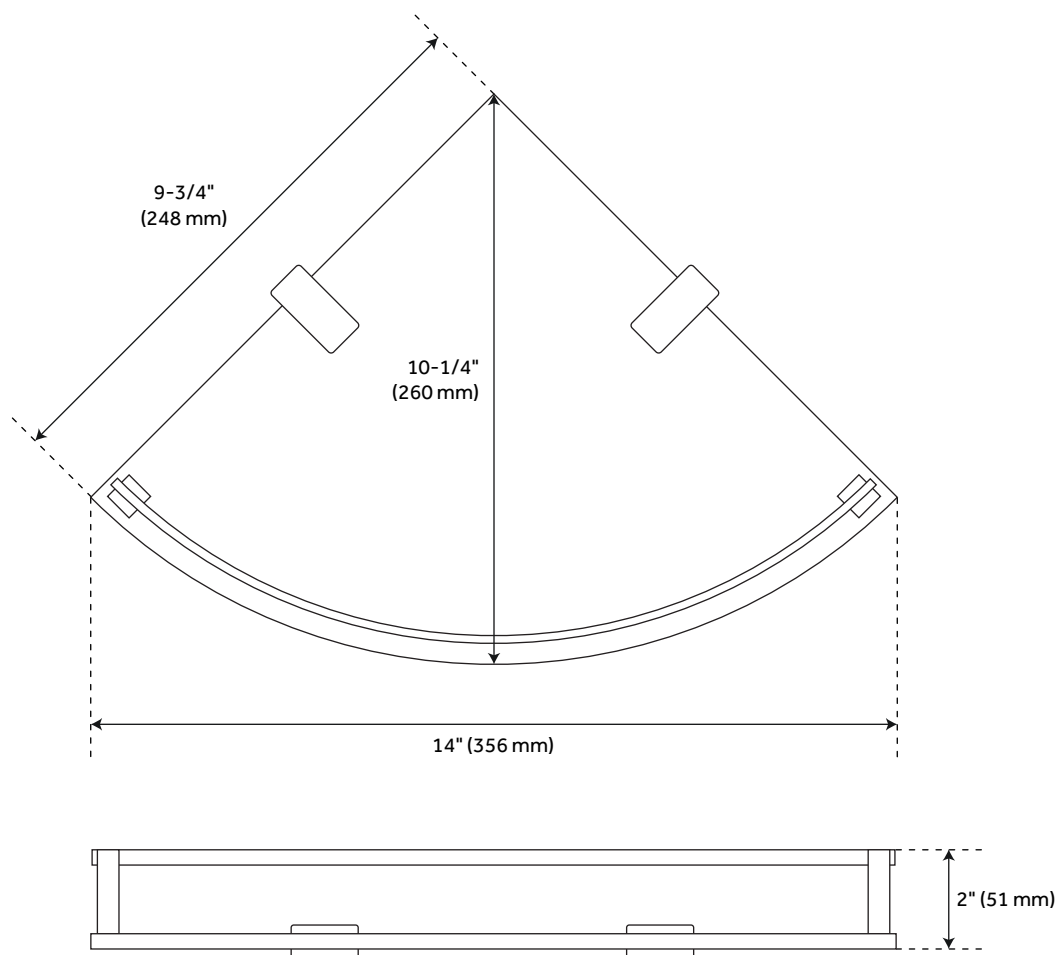
SHELF PAGE 2

REVISED 03/03/2021

ENGEL

TEMPERED GLASS CORNER SHELF

SKU: 916693



FEATURES

- Width: 14"
- Height: 2"
- Depth: 10-1/4"
- Tempered Glass is 1/4" Thick

PRODUCT IMAGE



All dimensions and specifications are nominal and may vary. Use actual products for accuracy in critical situations.

PAGE 2