



GLASS CONER SHELF

BEFORE INSTALLING

Read entire Glass Corner Shelf Installation Instructions. Observe all local building and safety codes.

INSTRUCTIONS

Unpack and inspect the product for any shipping damages. If you find damages, do not install. Contact Customer Service at 1-866-855-2284. If you need assistance or have questions while installing your shelf, contact Customer Service.

We recommend consulting a professional if you are unfamiliar with installing bathroom fixtures. Signature Hardware accepts no liability for any damage to the floor, walls or for personal injury during installation.

TOOLS AND MATERIALS:



Pencil



Level



Drill



Tape Measure



Screwdriver

SINGLE SHELF INSTALLATION

1. If not assembled, assemble by attaching the front rails to glass shelves using the supplied screws and washers (Figure 1).

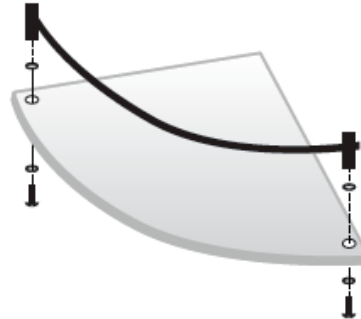


Figure 1

2. Hold the shelf up to the corner to determine where you would like to place it. Using a level and pencil, draw a light line on both walls along both straight edges of the shelf.

3. In the desired mounting location, use the supplied mounting hardware to mount the bracket on the wall so that the brackets are from $\frac{2}{3}$ to $\frac{3}{4}$ of the distance from the corner to the edge of the shelf. (In the example in Figure 2, that distance is 5" from the corner.) Bracket mounting locations may vary, so if your shelf includes specifications for mounting the brackets then follow those specifications. Repeat on the opposite side.

4. Insert the glass shelf into the mounting brackets. Tighten the set screws on the underside of the brackets to secure.

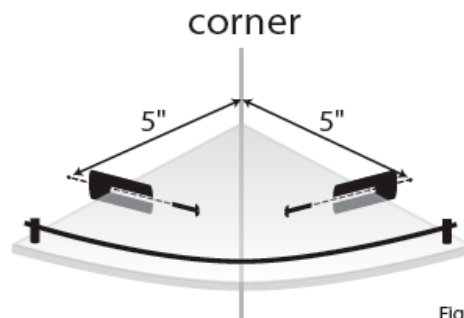
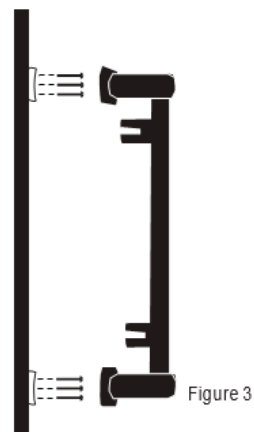
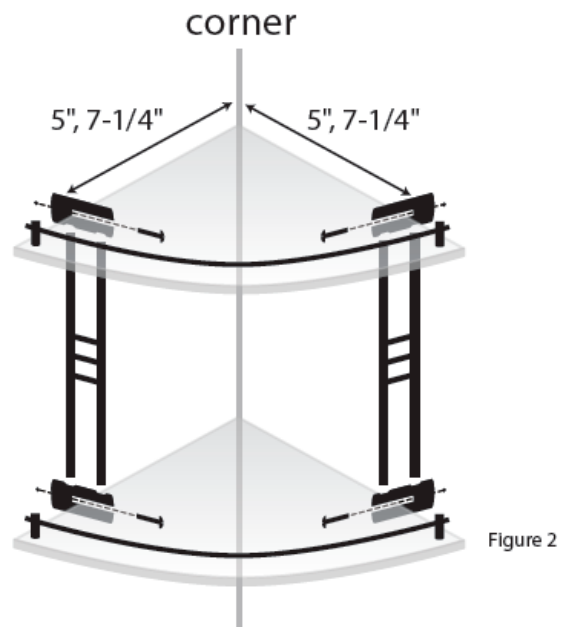
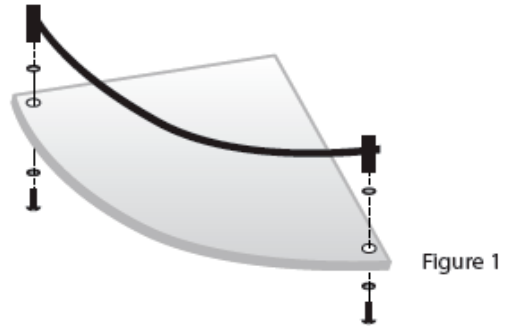


Figure 2



TWO-TIERED SHELF INSTALLATION

1. If not assembled, assemble by attaching the front rails to the glass shelves using the supplied screws and washers (Figure 1).
2. Hold one of the glass shelves up to the corner to determine where you would like to place the top shelf. Using a level and pencil, draw lines on the walls along the straight edges of the top shelf.
3. On the support rail, measure the distance between the notches that will hold the top and bottom glass shelves. Lightly draw horizontal lines on the wall at that distance below the first line to indicate the position of the bottom shelf.
4. In the desired mounting location, use the supplied screws to mount the bottom bracket on the wall so that the brackets are from $\frac{2}{3}$ to $\frac{3}{4}$ of the distance from the corner to the edge of the shelf. (In the example in Figure 2, that distance is 5" for a small shelf or 7-1/4" for a large shelf from the corner.) Bracket mounting locations may vary, so if your shelf includes specifications for mounting the brackets then follow those specifications. Mount the top bracket, and use the level to verify that the brackets are aligned vertically (Figure 3). Repeat on the opposite side.
5. Insert the glass shelves into the mounting brackets. Tighten The set screws on the underside of the brackets to secure.





THREE-TIERED SHELF INSTALLATION

1. If not assembled, assemble by attaching the front rails to the glass shelves using the supplied screws and washers (Figure 1).
2. Hold one of the glass shelves up to the corner to determine where you would like to place the top shelf. Using a level and pencil, draw lines on the walls along the straight edges of the top shelf.
3. On the support rail, measure the distance between the notches that will hold the top and middle glass shelves. Lightly draw horizontal lines on the wall a that distance below the first line to indicate the position of the middle shelf. Repeat for the bottom shelf.
4. In the desired mounting location, use the supplied screws to mount the bottom bracket on the wall so that the brackets are from $\frac{2}{3}$ to $\frac{3}{4}$ of the distance from the corner to the edge of the shelf. (In the example in Figure 2, that distance is 4" from the corner.) Bracket mounting locations may vary, so if your shelf includes specifications for mounting the brackets then follow those specifications. Mount the middle and top brackets, and use the level to verify that the brackets are aligned vertically (Figure 3). Repeat on the opposite side.
5. Insert the glass shelves into the mounting brackets. Tighten the set screws on the underside of the brackets to secure.

