



# SEBASTIAN TUB FAUCET INSTALLATION

## BEFORE YOU BEGIN

We recommend consulting a professional if you are unfamiliar with installing plumbing fixtures. Signature Hardware accepts no liability for any damage to the faucet, plumbing, bathtub, floor, or for personal injury during installation.

Observe all local plumbing and building codes.

Unpack and inspect the faucet for shipping damage. If any damage is found, contact our Customer Relations team at 1-866-855-2284.

## GETTING STARTED

- Ensure that you have gathered all the required materials that are needed for the installation.
- For these instructions, it is assumed that the old faucet has been completely removed and any necessary repairs or modifications to the water supply have been completed.

## TOOLS AND MATERIALS:



Plumbers Tape



Thread Sealant



Phillips Screwdriver



Adjustable Wrench



Basin Wrench

## TABLE OF CONTENTS

This faucet is available in multiple installation configurations. Proceed to the page relative to your installation type.

Deck-Mount Installation.....Page 2

Freestanding Installation.....Page 3

Inner Tub Wall Installation.....Page 3

Bathroom Wall Installation.....Page 4

Final Assembly.....Page 5

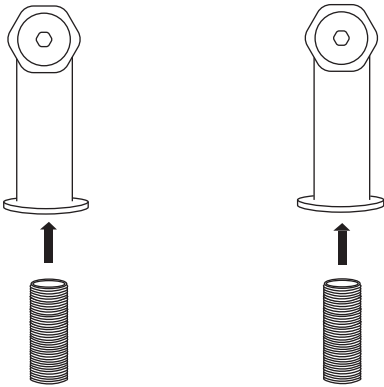


# SEBASTIAN TUB FAUCET INSTALLATION

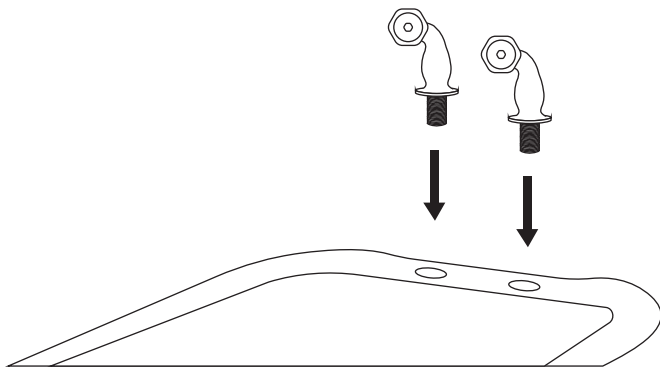
## STEP 1: FAUCET MOUNTING

### DECK-MOUNT INSTALLATION

1A. Attach the provided threaded shanks into the base of each deck coupler, as shown. Apply thread sealant or plumber's tape to the threads before attaching. Tighten firmly.

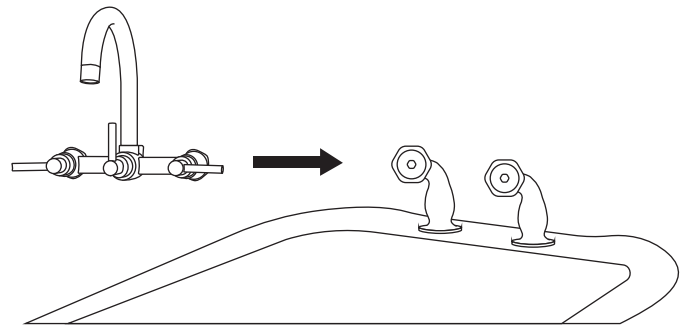


2A. Insert each of the deck couplers into their prepared mounting holes. From underneath, slide the metal washer onto each threaded shank, followed by the lock nut. Thread the lock nut onto the shank until hand-tight. Do not fully tighten yet.



3A. Attach the faucet body to the installed deck couplers. Apply thread sealant or plumber's tape to the threads before tightening. Tighten firmly using an adjustable wrench, then finish tightening the lock nuts, securing the faucet to the deck.

**Tip:** Wrap the nuts with a soft cloth before using an adjustable wrench to tighten, to avoid scratching the decorative finish.



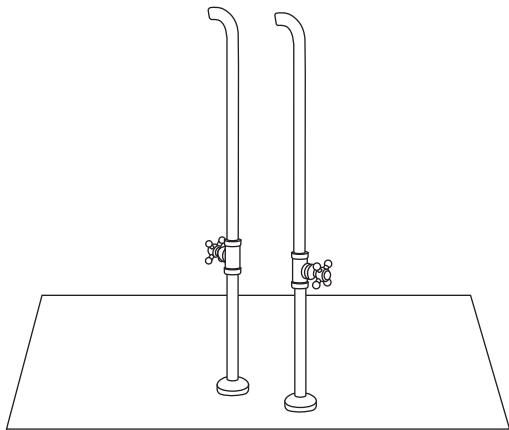
**PROCEED TO STEP 2 ON PAGE 5 FOR FINAL ASSEMBLY INSTRUCTIONS.**



# SEBASTIAN TUB FAUCET INSTALLATION

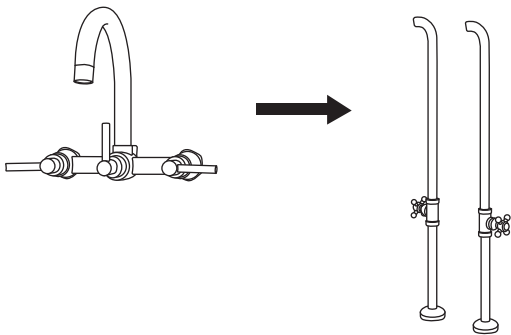
## FREESTANDING INSTALLATION

1B. If not already prepared, install the freestanding tub supply lines into the floor. Refer to the supply line's installation instructions for guidance.



2B. Apply plumber's tape or thread sealant to the threaded outlets on the back of the faucet body. Attach the faucet to the installed supply lines. Tighten firmly using an adjustable wrench.

**Tip:** Wrap the nuts with a soft cloth before using an adjustable wrench to tighten, to avoid scratching the decorative finish.

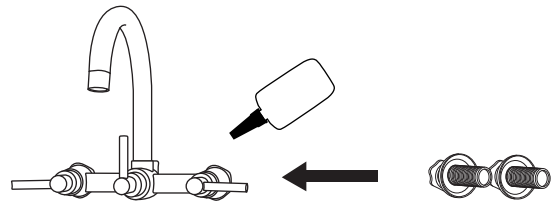


**PROCEED TO STEP 2 ON PAGE 5 FOR FINAL ASSEMBLY INSTRUCTIONS.**

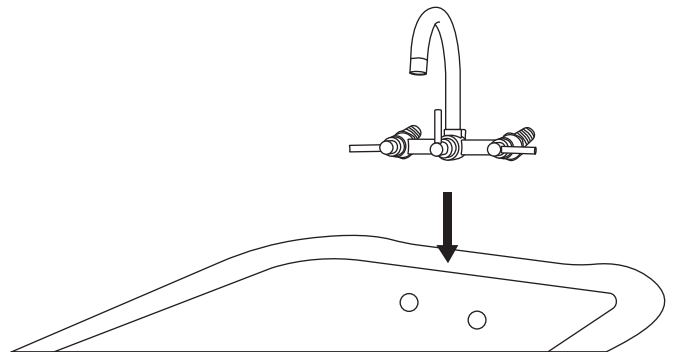
## INNER TUB WALL INSTALLATION

1C. Attach the wall-mount couplers to the back of the faucet body. Apply plumber's tape or thread sealant to the threads before attaching. Tighten firmly using an adjustable wrench.

**Tip:** Wrap the nuts with a soft cloth before using an adjustable wrench to tighten, to avoid scratching the decorative finish.



2C. Insert the faucet into its prepared mounting holes. From behind, thread the lock nuts onto the threaded shanks to secure the faucet to the tub.



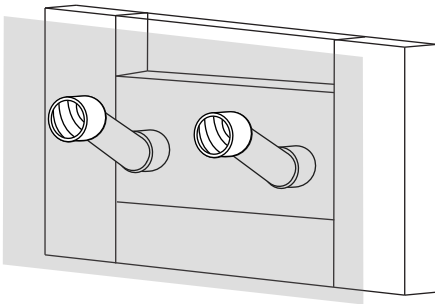
**PROCEED TO STEP 2 ON PAGE 5 FOR FINAL ASSEMBLY INSTRUCTIONS.**



# SEBASTIAN TUB FAUCET INSTALLATION

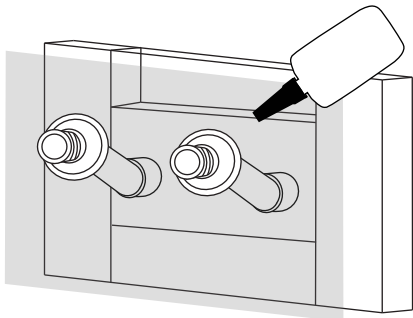
## BATHROOM WALL INSTALLATION

1D. Before faucet installation, two 1/2" pipe nipples should be installed into the wall as part of rough-in procedures. The pipe nipple should extend approximately 1/2" beyond the finished wall to make the connection to the faucet.

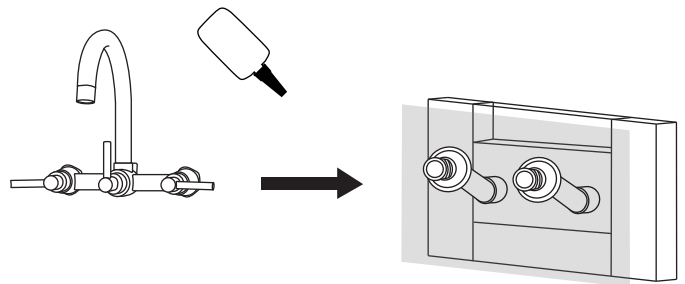


2D. Apply plumber's tape or thread sealant to the exposed threads of the pipe nipples installed in the wall. Attach the provided wall mount couplers to the pipe nipple. Tighten firmly using an adjustable wrench.

**Tip:** Wrap the nuts with a soft cloth before using an adjustable wrench to tighten, to avoid scratching the decorative finish.



3D. Apply plumber's tape or thread sealant to the threaded outlets on the back of the faucet body. Attach the faucet body to the installed wall mount couplers. Tighten the lock nut firmly using an adjustable wrench.



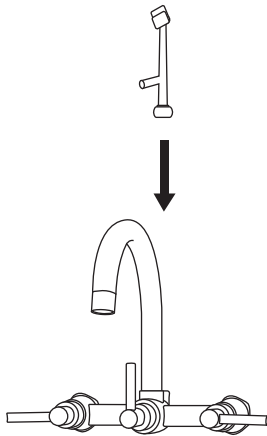
**PROCEED TO STEP 2 ON PAGE 5 FOR FINAL ASSEMBLY INSTRUCTIONS.**



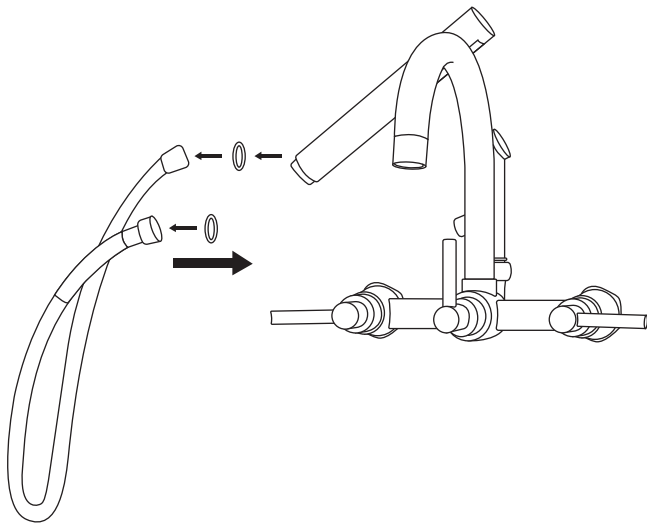
# SEBASTIAN TUB FAUCET INSTALLATION

## STEP 2: FINAL ASSEMBLY

1. Attach the hand shower cradle to the outlet on the top of the faucet body, as shown. Ensure that the rubber washer is inserted into the base of the cradle before attaching. Tighten firmly using an adjustable wrench.

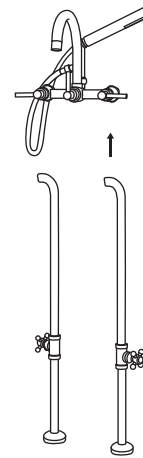


2. Using the provided flexible hose, attach the hand shower to its outlet on the hand shower cradle. Insert one of the provided rubber washers into each end of the hose before attaching. Tighten firmly.



3. To complete the installation, connect the water supply lines (not included) to the faucet's inlets.

**Note:** This step only applies to deck-mount and inner tub wall installation.



4. Once installation is complete, turn the faucet on for approximately 60 seconds to check for any leaks, and to ensure that hot and cold water are running appropriately. Divert water flow to the hand shower for testing as well.

