

COOPER SHOWER SYSTEM WITH RAINFALL SHOWER AND HAND SHOWER

SKU: 942309

Code: SH436848, SH436849, SH436853, SH436854, SH436858, SH436859



FEATURES

- Features: Hand Shower Included
- Design: Modern
- Base Plate Height: 6-5/8"
- Assembly Required: Yes
- Shape: Round
- Handle Type: Lever
- Base Plate Width: 6-5/8"
- Shower Head Installation Type: Wall
- Shower Head Material: Brass
- Shower Head Spray: Rainfall
- Shower Arm Included: Yes
- Shower Arm Extension: 18"
- Shower Head IPS: 1/2"
- Valve Trim Diameter: 6-5/8"
- Hand Shower Hose Length: 59"
- Hand Shower Flow Rate: 1.8 gpm (6.8 L/min) @ 80 psi
- Diverter Included: Yes
- Diverter Outlets: 2
- Rainfall Shower Head Flow Rate: 1.8 gpm (6.8 L/min) @ 80 psi

ASME A112.18.1/CSA B125.1

ASSE 1016 Type P



REVISED 4/3/2024

COOPER SHOWER SYSTEM WITH RAINFALL SHOWER AND HAND SHOWER

SKU: 942309

Code: SH436848, SH436849, SH436853, SH436854, SH436858, SH436859

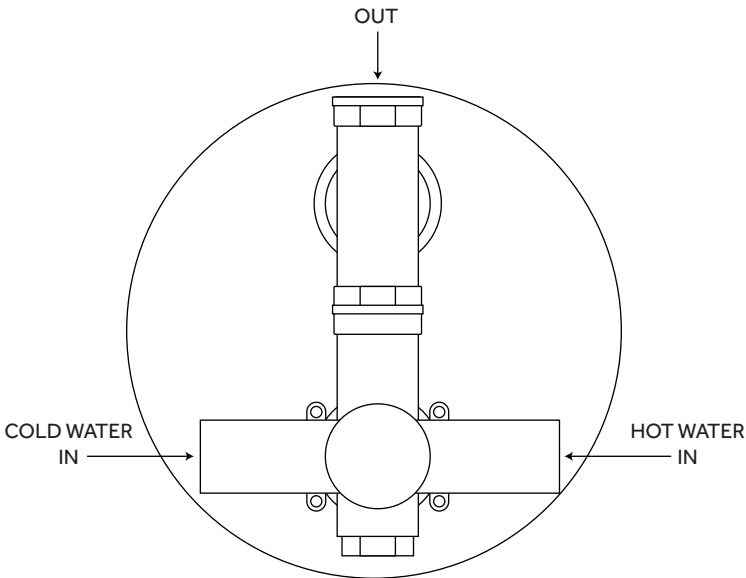
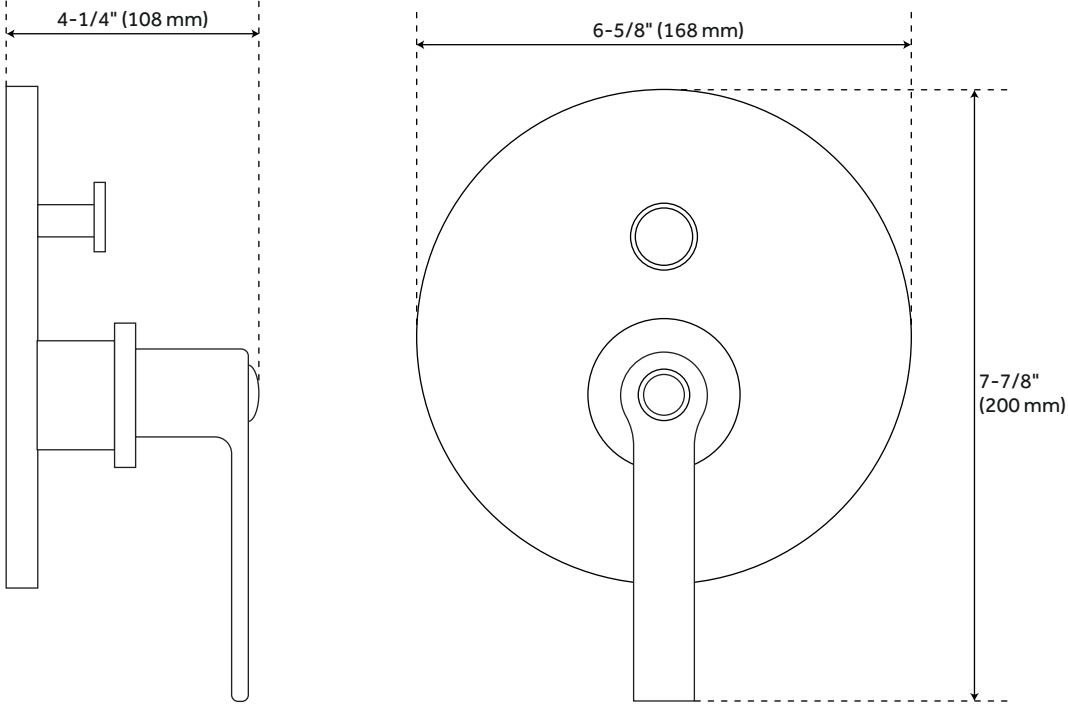


ADDITIONAL FEATURES

- All dimensions are ($\pm 1/2$ ").
- Shower system includes rainfall shower head and 18" shower arm, wall mount slide bar with hand shower and hose, hand shower water connection, and a pressure balanced valve with 2-way diverter.
- Wall mount rainfall shower head available in two sizes.
- Water connection features a 1/2" IPS connection and 1-3/4" diameter base.
- Valve with diverter features 1/2" IPS inlets and controls water flow between 2 shower outlets.
- For water outlet configuration options consult a professional for installation.

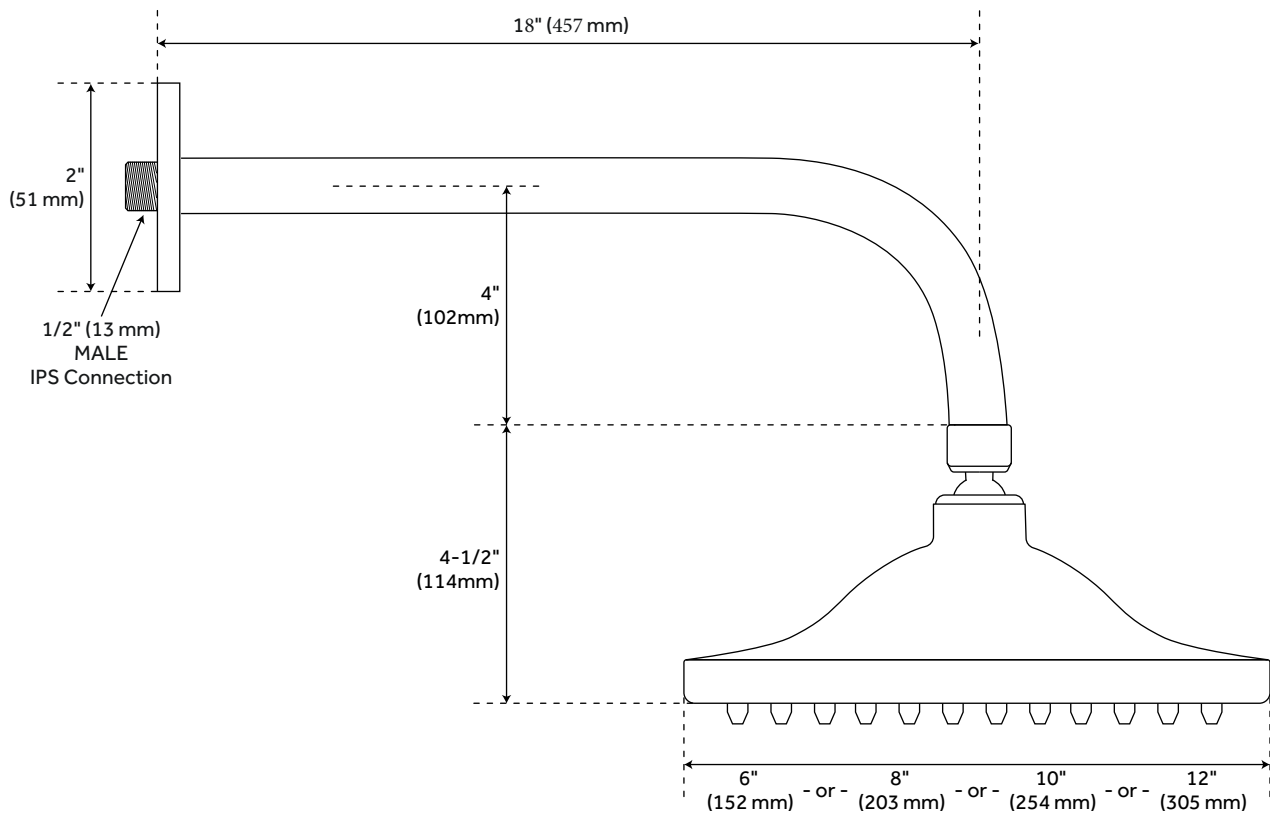
REVISED 4/3/2024

COOPER PRESSURE BALANCE SHOWER VALVE WITH DIVERTER



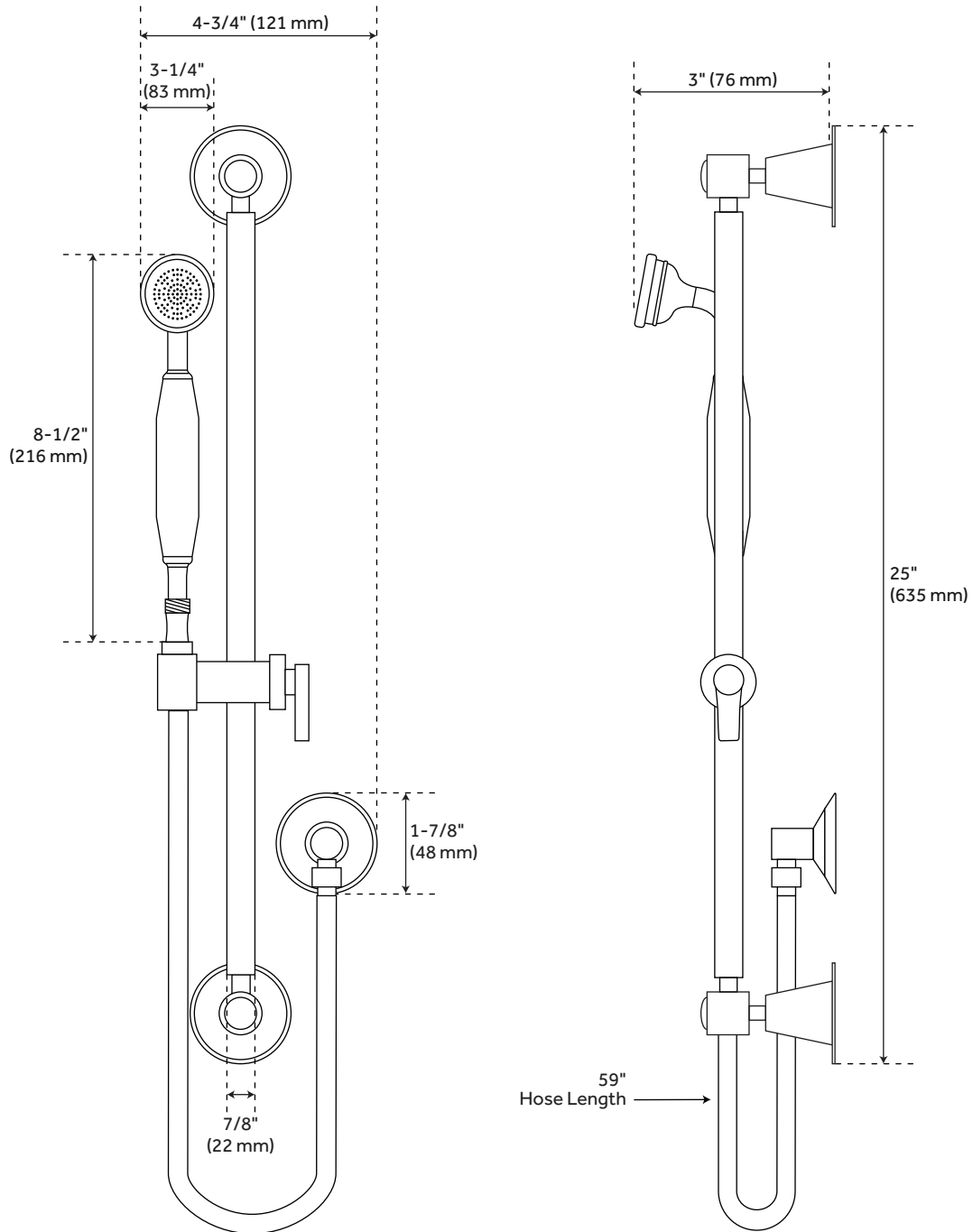
All dimensions and specifications are nominal and may vary. Use actual products for accuracy in critical situations.

COOPER WALL-MOUNT RAINFALL SHOWER HEAD



All dimensions and specifications are nominal and may vary. Use actual products for accuracy in critical situations.

COOPER HAND SHOWER



All dimensions and specifications are nominal and may vary. Use actual products for accuracy in critical situations.