



CAMBRIDGE RAINFALL NOZZLE SHOWER SET

MODERN CROSS HANDLE

SPECIFICATIONS

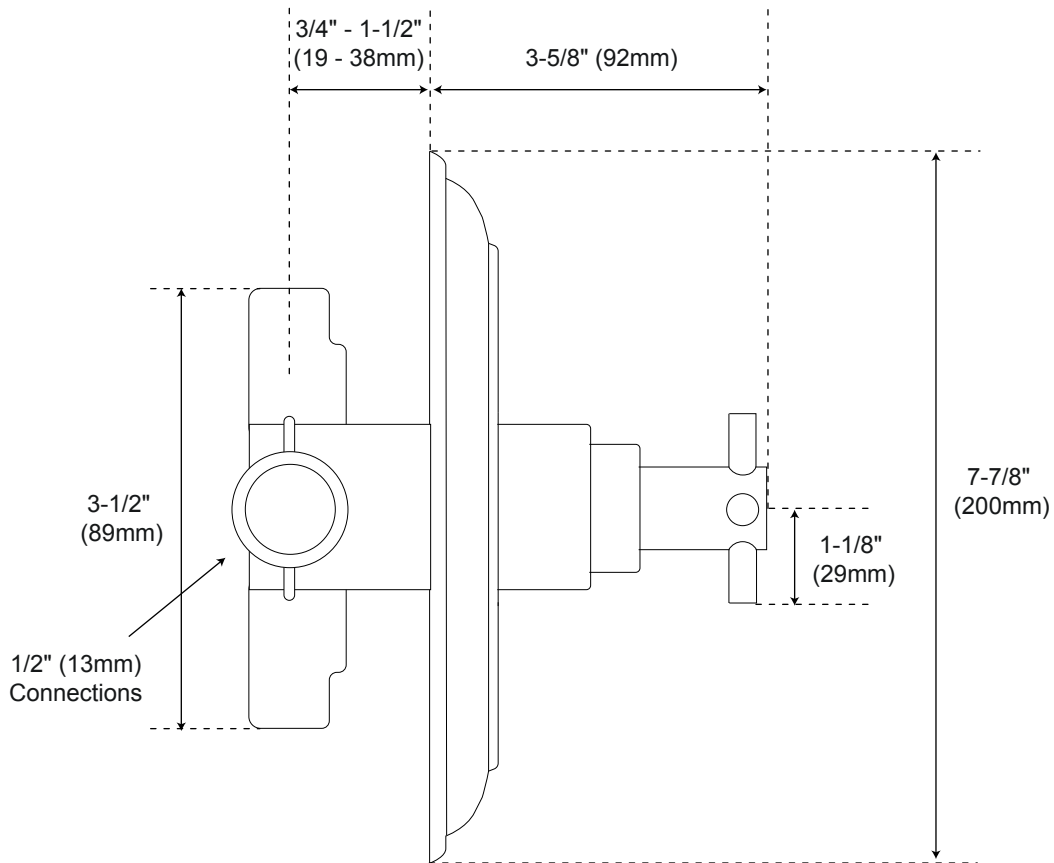
CONTENTS

Shower Valve.....	2
Wall Shower Head.....	3



Shower Valve

Side

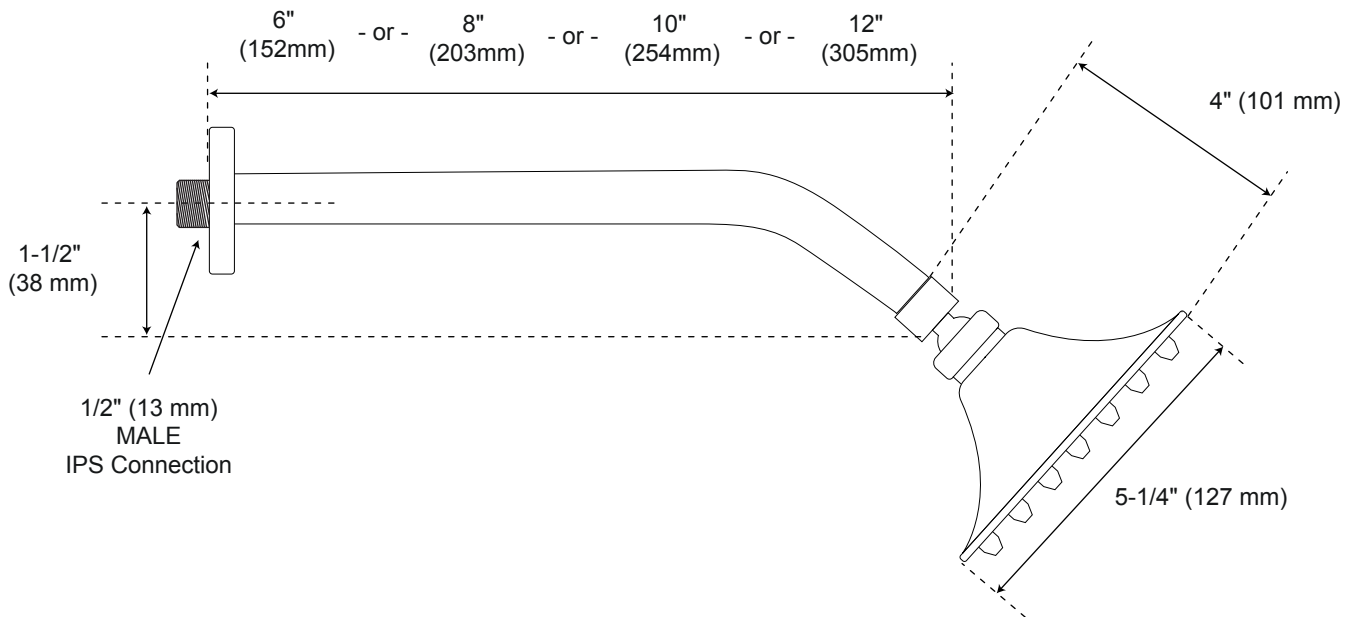


All product dimensions are nominal.



Wall Shower Head

Side

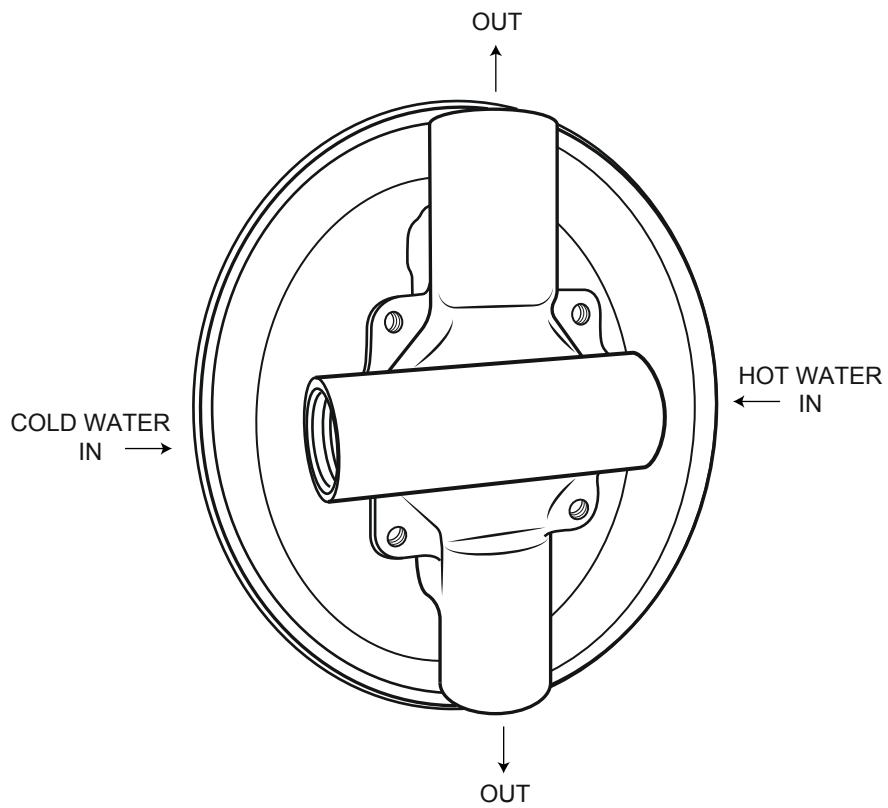


All product dimensions are nominal.



Diverter

(back)



All product dimensions are nominal.