



CAMBRIDGE RAINFALL NOZZLE SHOWER SET

MODERN LEVER HANDLE

SPECIFICATIONS

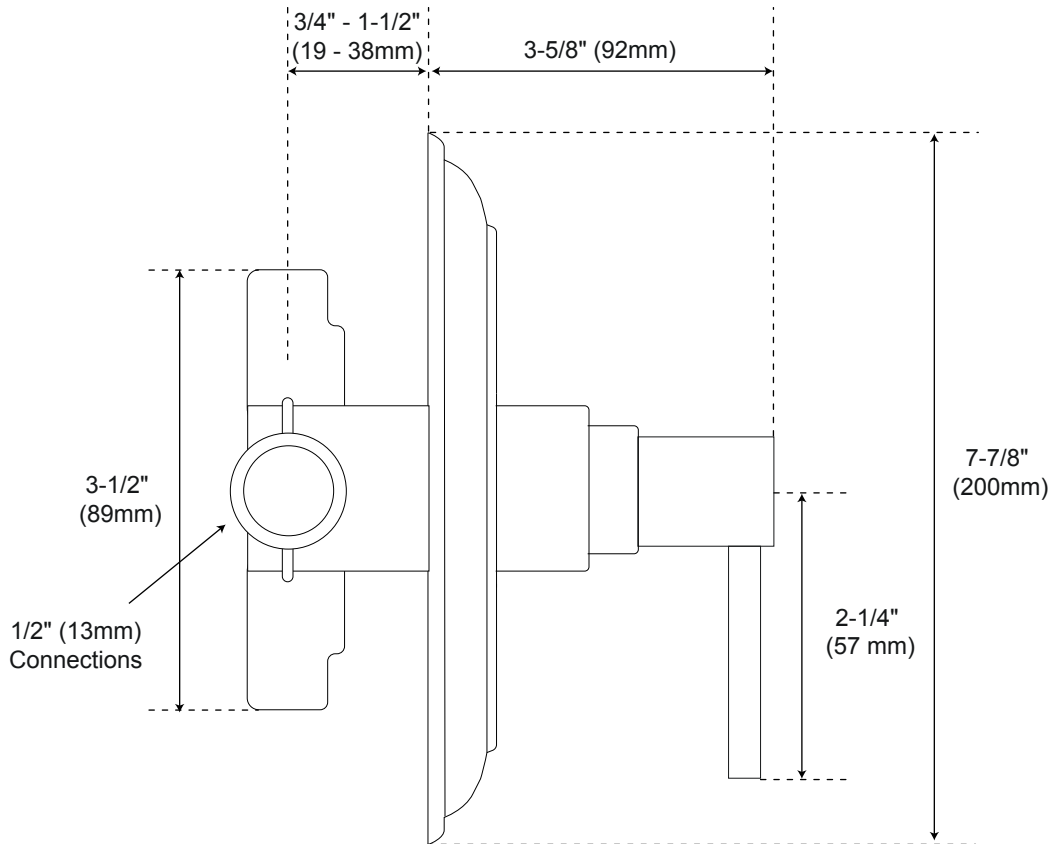
CONTENTS

| | |
|------------------------------|----------|
| Shower Valve..... | 2 |
| Wall Shower Head..... | 3 |



Shower Valve

Side

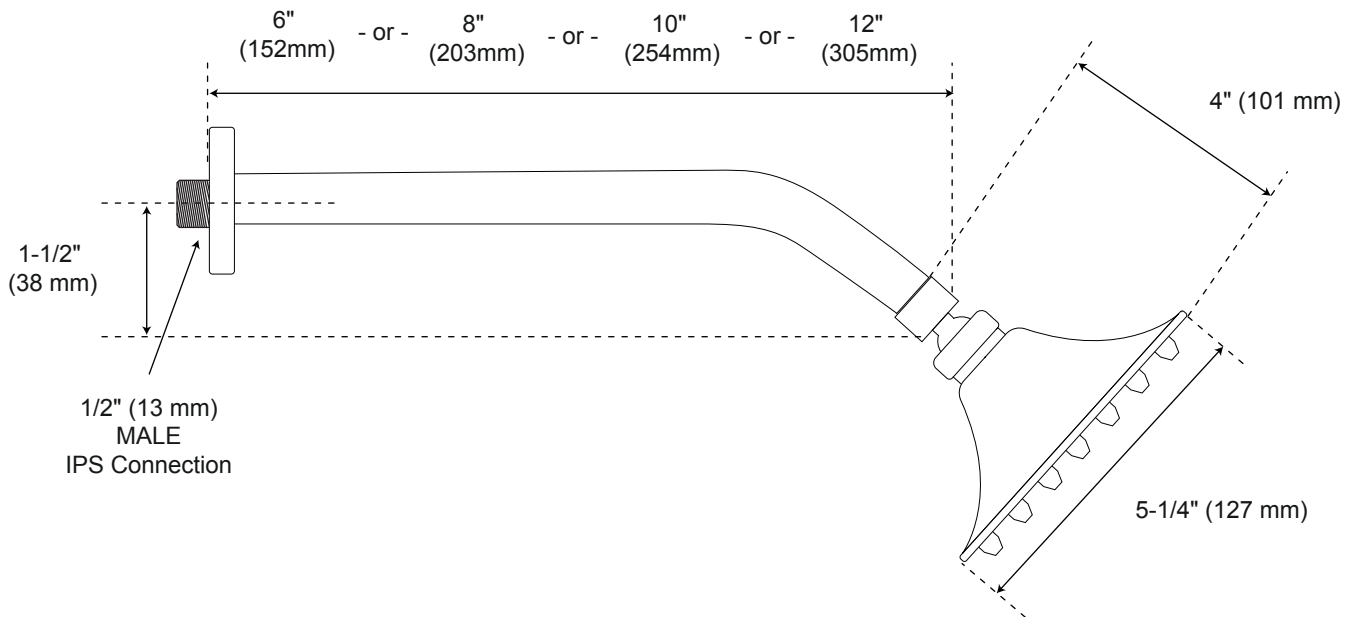


All product dimensions are nominal.



Wall Shower Head

Side

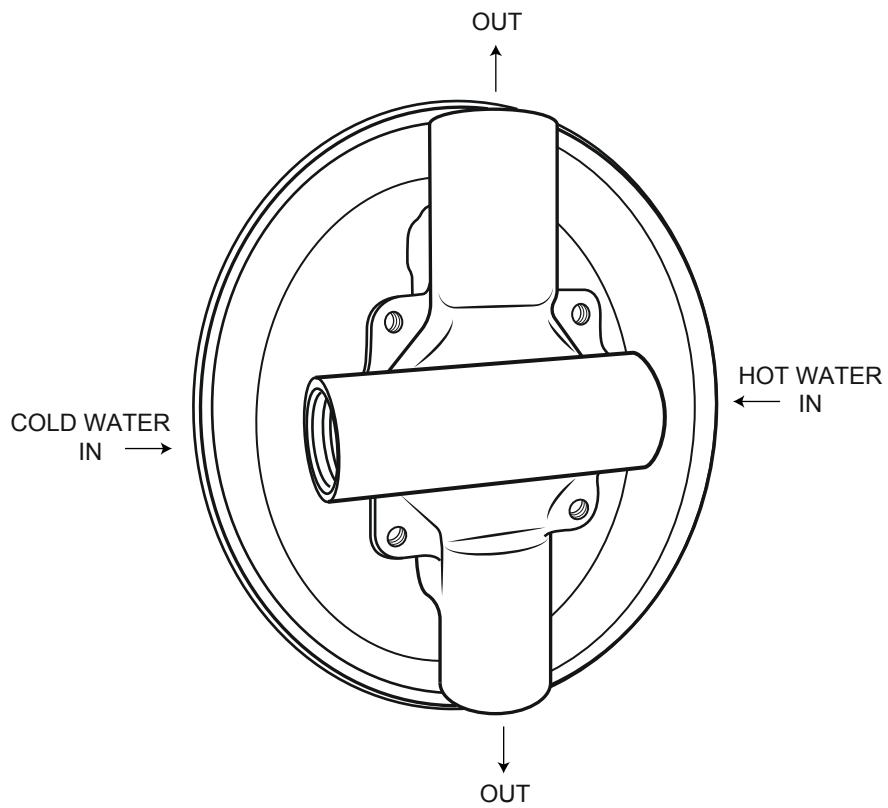


All product dimensions are nominal.



Diverter

(back)



All product dimensions are nominal.