

# 15" ORTEGA STAINLESS STEEL UNDERMOUNT PREP SINK

SKU: 948560

Code: SHORUC1515, SHG1313, SH417855



## FEATURES

Material: Stainless Steel  
Length: 15"  
Width: 15"  
Height: 9-1/4"  
Number of Basins: 1  
Sink Installation: Undermount  
Product Color: Stainless Steel Faucet  
Centers: No Faucet Hole  
Basin Length: 13"  
Basin Width: 13"  
Rim Thickness: 1"  
Fits Drain Hole Size: 3-1/2"  
Exterior Treatment: Smooth  
Interior Treatment: Smooth  
Metal Gauge/Thickness: 18 Gauge  
Drain Included: Optional  
Faucet Included: No  
Sink Material: Stainless Steel  
Basin Configuration: Single  
Shape: Square  
Water Depth to Rim: 9"  
Faucet Holes: No Faucet Hole  
Reversible Mounting: Yes



REVISED 9/8/2023

# 15" ORTEGA STAINLESS STEEL UNDERMOUNT PREP SINK

SKU: 948560

Code: SHORUC1515, SHG1313, SH417855



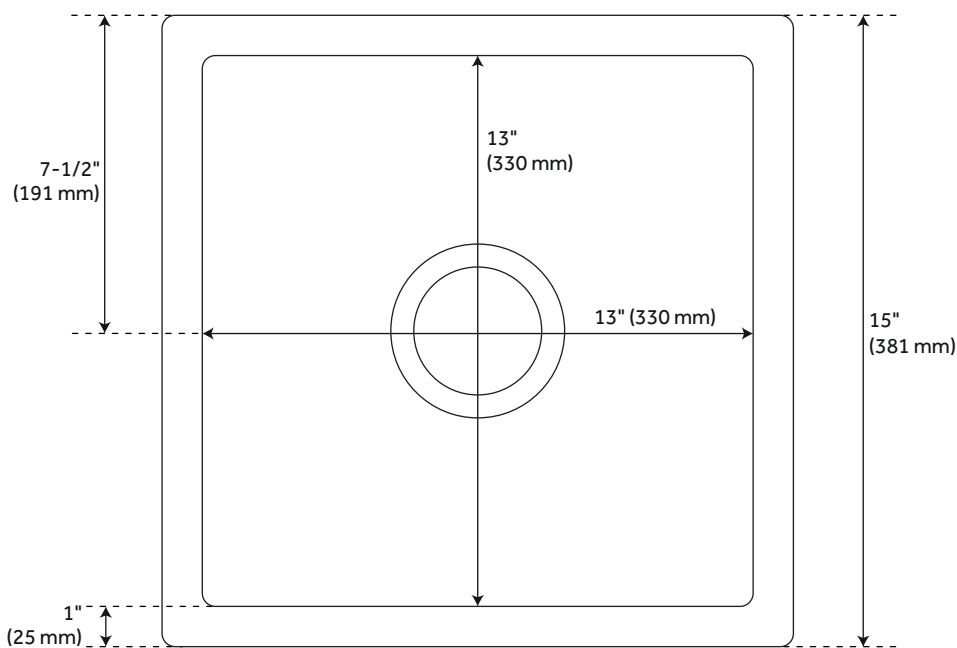
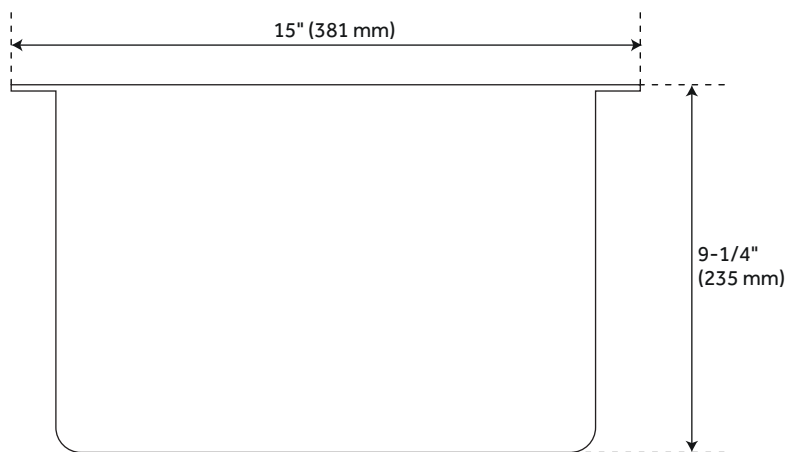
## ADDITIONAL FEATURES

- It is recommended to have the sink at the job site before cutting cabinet or counter top.
- Sound absorption pads on the underside of sink.
- Has an undercoating to prevents condensation buildup.
- Sink Grid Measurements: 12-5/8" L x 12-5/8" W.

REVISED 9/8/2023

# 15" ORTEGA STAINLESS STEEL UNDERMOUNT PREP SINK

SKU: 948560  
SHORUC1515

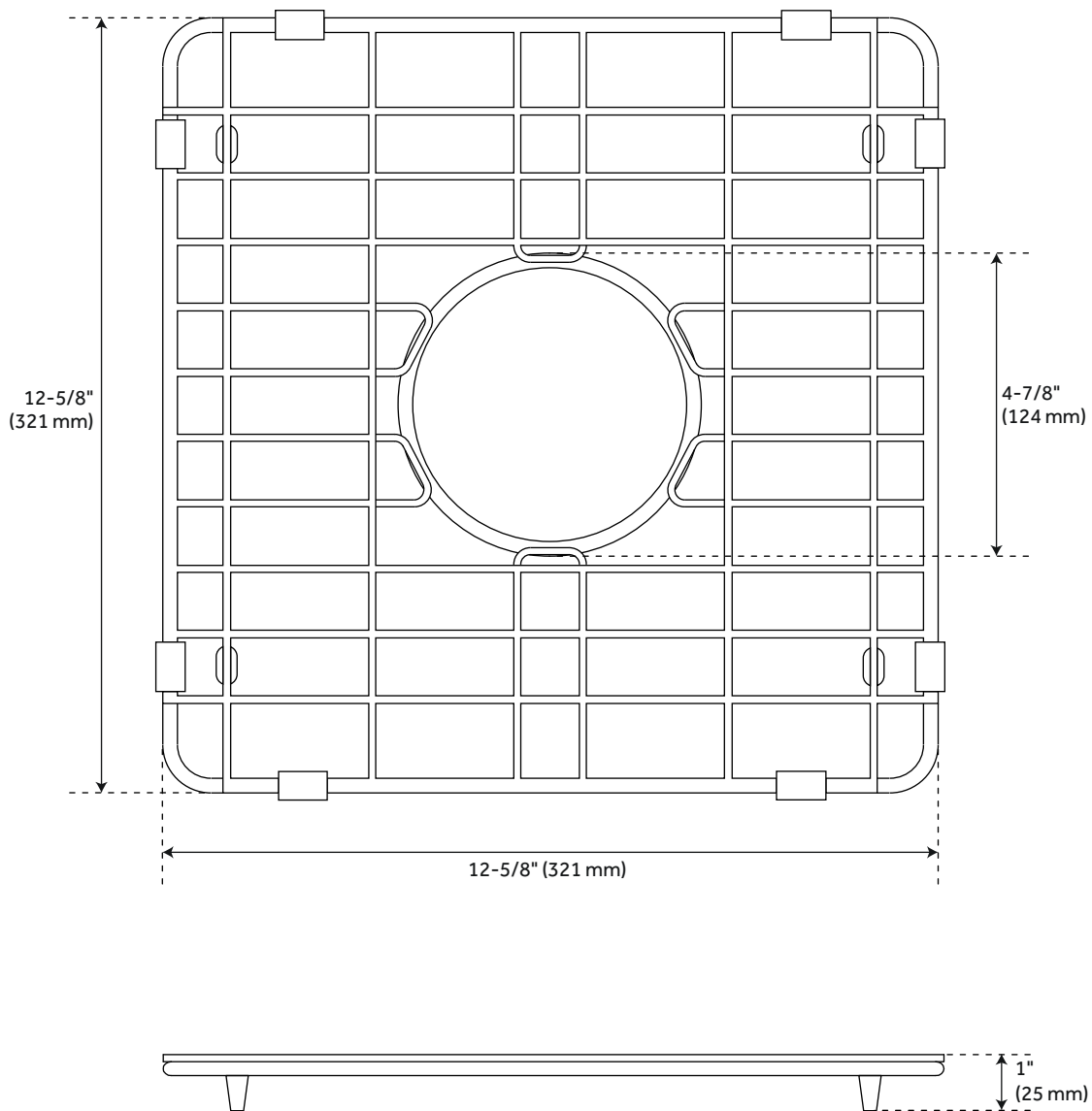


All dimensions and specifications are nominal and may vary. Use actual products for accuracy in critical situations.

# OPTIONAL SINK GRID FOR 15" ORTEGA UNDERMOUNT PREP SINK

SKU: 948560

SHG1313



All dimensions and specifications are nominal and may vary. Use actual products for accuracy in critical situations.