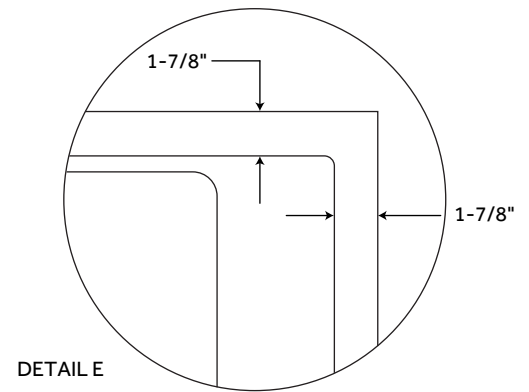
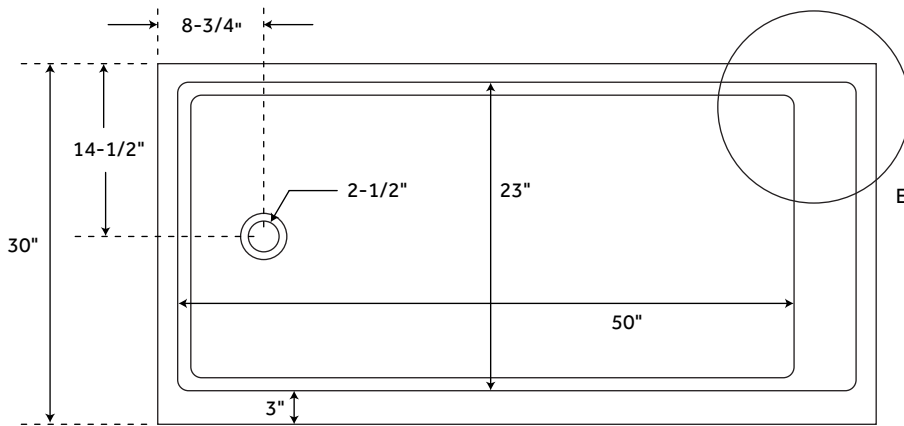
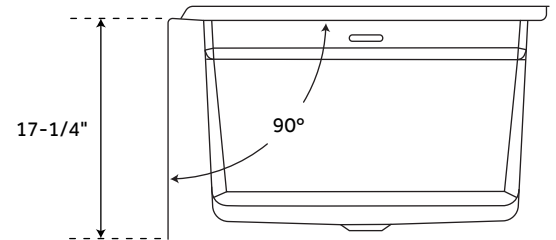
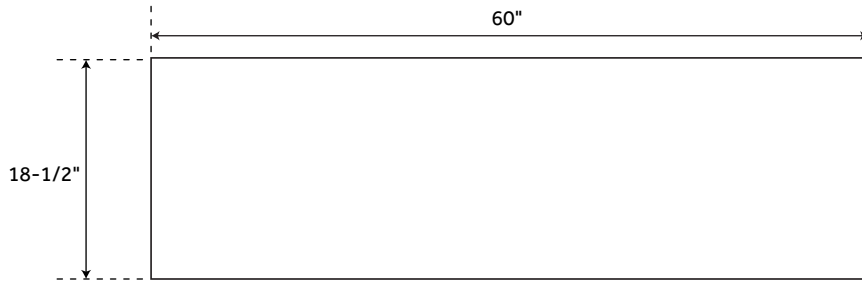


60" X 30" ORCHID

ACRYLIC ALCOVE TUB

SKU: 946661



FEATURES

Product Finish: White
Features: Integral Drain & Overflow
Overflow Hole: Yes
Integral Drain & Overflow: Yes
Shape: Rectangle
Material: Acrylic
Length: 60"
Width: 30"
Height: 18-1/2"
Tub Interior Length: 50"
Tub Interior Width: 23"
Water Depth To Overflow: 14"
Tap Deck: No
Drain Included: Yes
Faucet Included: No
Faucet Drillings: No Drillings
Water Capacity (Gallons): 70
Tub Weight Uncrated (lbs): 115

CODES/STANDARDS

cUPC
CSA B45.5/ IAPMO Z124



SIGNATURE HARDWARE LIFETIME WARRANTY

See website for warranty information



REVISED 09/09/2019

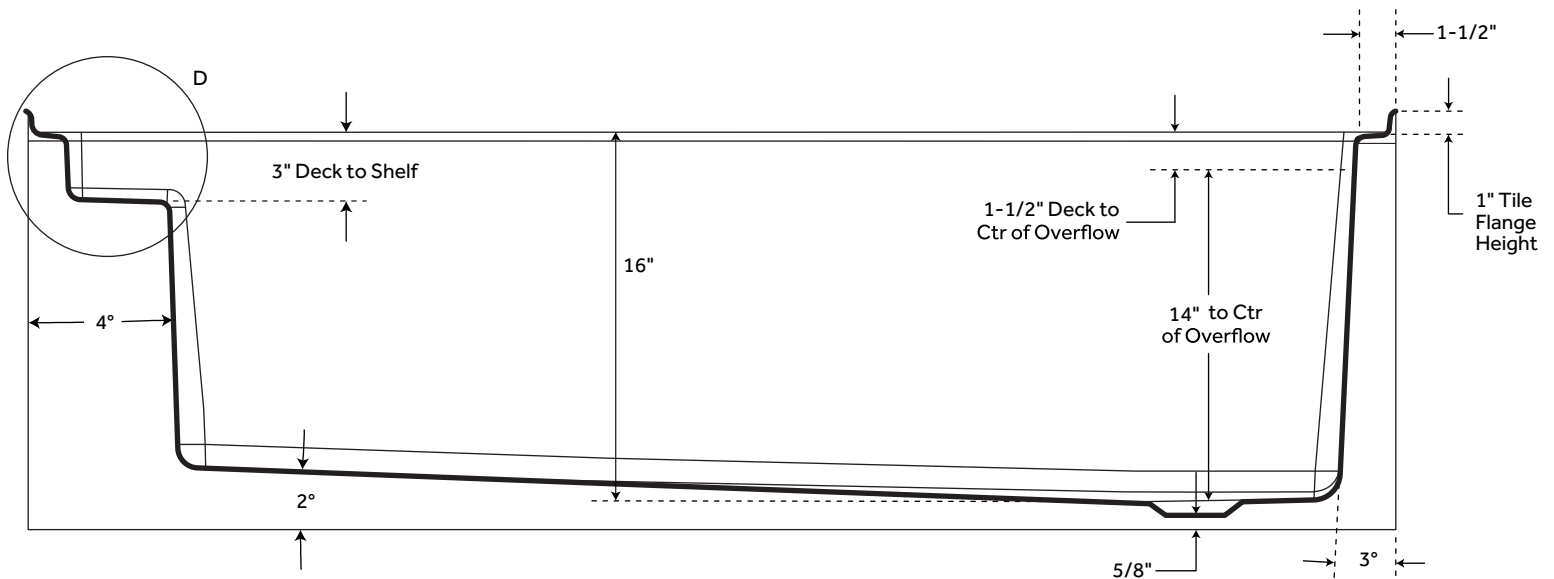
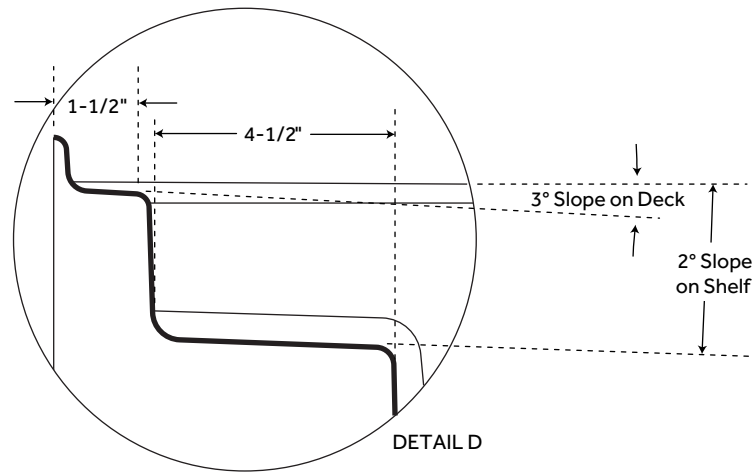
Codes: SHORS630LWH (Left-Hand Drain)
SHORS6030RWH (Right-Hand Drain)

All measurements are approximate. Measurements may vary +/- 1/2".

60" X 30" ORCHID

ACRYLIC ALCOVE TUB

SKU: 946661



All measurements are approximate. Measurements may vary +/- 1/2".

REVISED 09/09/2019

Codes: SHORS630LWH (Left-Hand Drain)
SHORS6030RWH (Right-Hand Drain)