



WATTS WALL-MOUNT WIDESPREAD BATHROOM FAUCET INSTALLATION

BEFORE YOU BEGIN

We recommend consulting a professional if you are unfamiliar with installing plumbing fixtures. Signature Hardware accepts no liability for any damage to the faucet, plumbing, sink, wall, or for personal injury during installation.

Observe all local plumbing and building codes.

Unpack and inspect the faucet for shipping damage. If any damage is found, contact our Customer Relations team at 1-866-855-2284.

GETTING STARTED

- Ensure that you have gathered all the required materials that are needed for the installation.
- For these instructions, it is assumed that the old faucet has been completely removed and any necessary repairs or modifications to the water supply have been completed.

TOOLS AND MATERIALS:



Plumbers
Tape



Thread
Sealant



Phillips
Screwdriver



Adjustable
Wrench



Drill



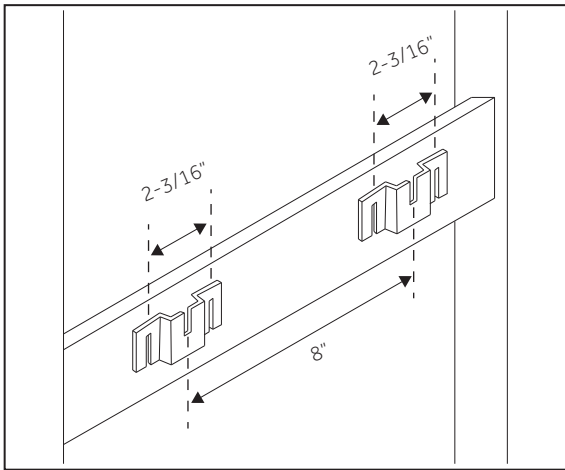
Level



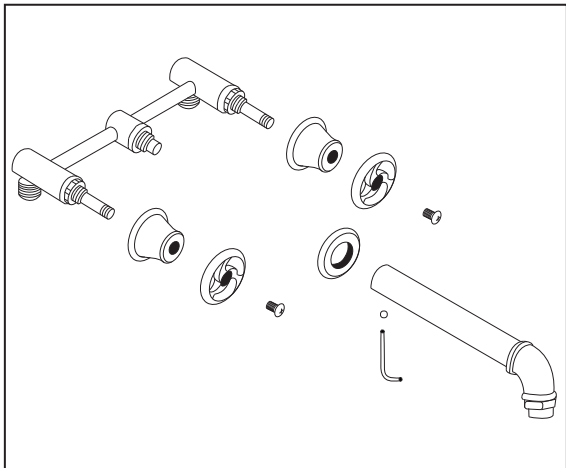
WATTS WALL-MOUNT WIDESPREAD BATHROOM FAUCET INSTALLATION

INSTALLATION

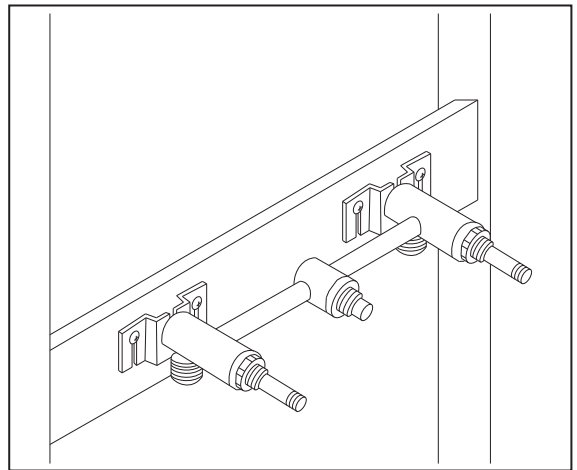
1. Measure and mark the mounting location for the two provided mounting brackets on wood blocking. Use a level to ensure that the markings are level. Use the measurements below as a reference.



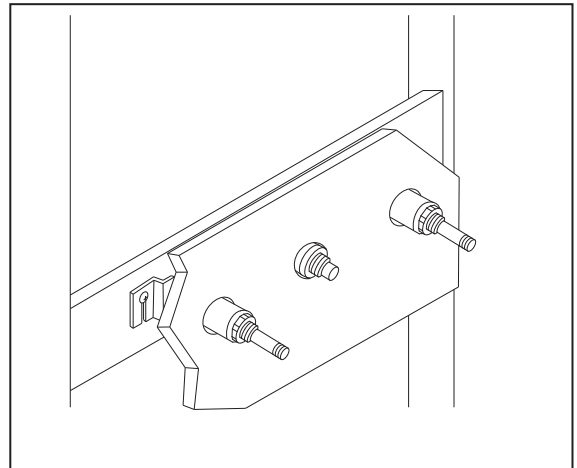
2. If the faucet came assembled, disassemble as shown below. Set all trim pieces and hardware aside in a safe place.



3. Attach the mounting brackets to the back of the valve body, then attach the valve body to the wood blocking. Use a level to ensure that the valve remains level while installing. Install and connect in-wall water supply lines to the valve body.



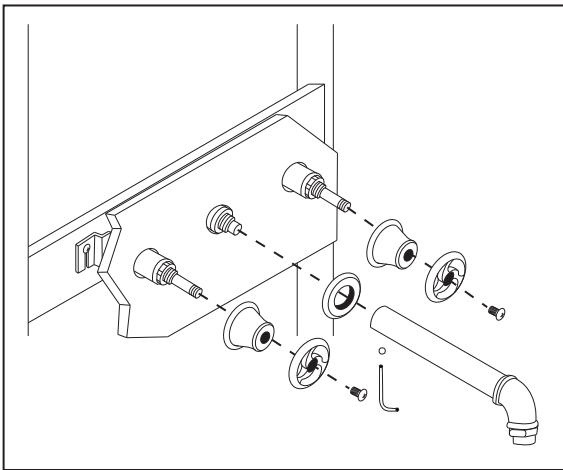
4. Complete any drywall or finished wall construction before proceeding with the installation. Once complete, proceed to step 5.



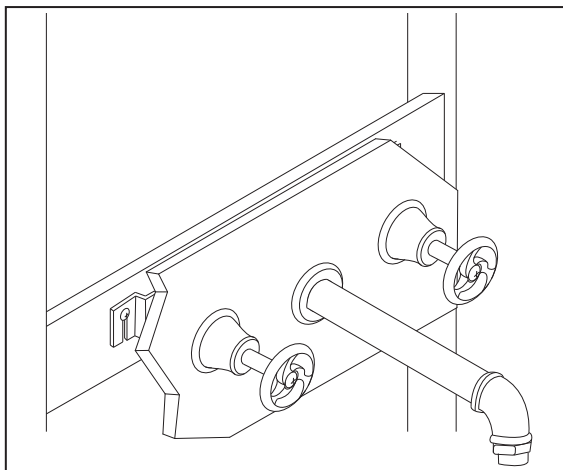


WATTS WALL-MOUNT WIDESPREAD BATHROOM FAUCET INSTALLATION

5. Install all faucet trim pieces as shown below. A Phillip's screwdriver will be needed to attach the handles, and a hex wrench will be needed to secure the spout.



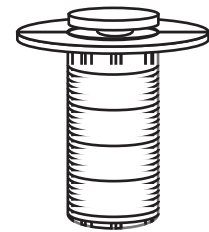
6. Proceed to the sink drain installation. Once the drain is installed, remove the aerator from the faucet spout and turn the faucet on to remove any dust or loose sediment within the water lines. Allow water to flow for 60 seconds. Check for any leaks. Reattach the aerator.



DRAIN INSTALLATION

1. Dissassemble the drain assembly and lay the parts aside, in the same order they were removed. See the illustration below as a reference if needed.

Pop-Up Drain Flange



Flat Rubber Gasket



Tapered Rubber Gasket



Plastic Friction Washer



Lock Nut



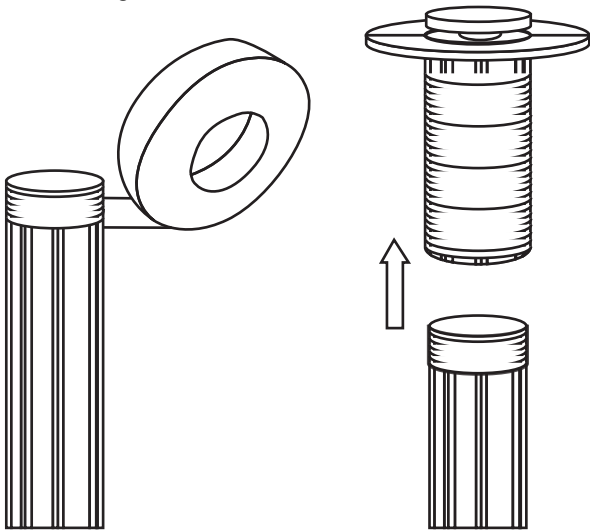
Tailpiece



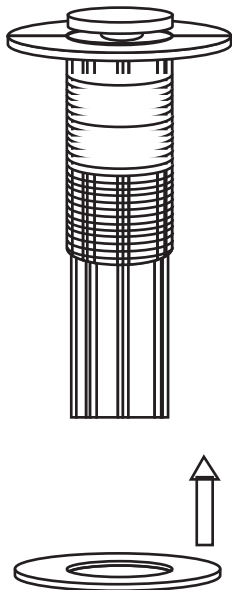


WATTS WALL-MOUNT WIDESPREAD BATHROOM FAUCET INSTALLATION

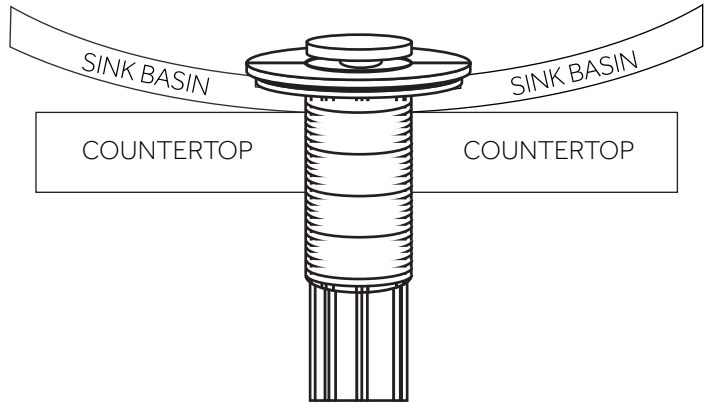
2. Apply plumber's tape to the threading on the tailpiece, then reattach the tail piece to the pop-up drain flange.



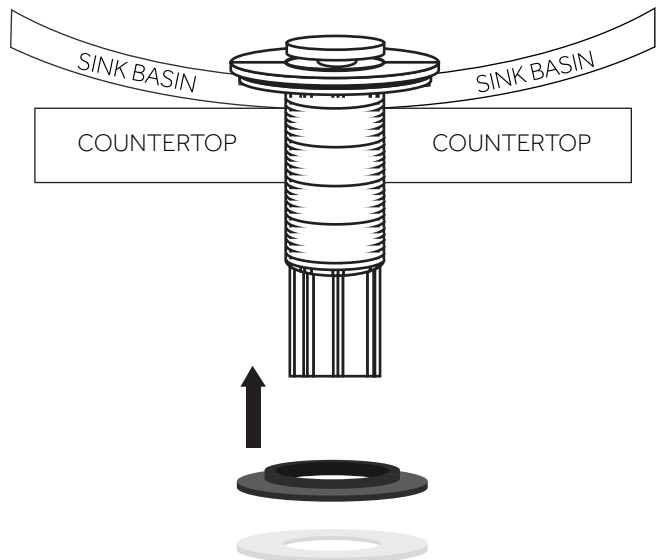
3. Slide the flat rubber gasket up the tailpiece until it meets the lip of the pop-up drain flange.



4. Insert the drain flange and tailpiece through the top of your sink's drain hole.



5. From under your counter, slide the tapered rubber gasket followed by the plastic friction washer onto the tailpiece until they meet your sink or countertop. Be sure that the tapered side of the rubber washer is facing up.





WATTS WALL-MOUNT WIDESPREAD BATHROOM FAUCET INSTALLATION

6. Thread the lock nut onto the drain flange. Hand tighten until secure, then finish tightening with a basin wrench once the drain is properly aligned.

Important: Be careful not to overtighten, which could crack a porcelain sink or stone countertop.

