

# BRADENTON

## TWO-PIECE SKIRTED ELONGATED TOILET - WHITE

SKU: 948428



### FEATURES

- Skirted bowl with concealed trapway.
- Toilet with a standard seat meets ADA requirements when installed according to ADA guidelines.
- High efficiency toilet uses 20% less water than standard toilets.
- Optional bidet seat details:
  - Bidet seat adds 1" to bowl height.
  - Side knob allows for adjustment of angle, water volume, and cleaning type.
  - Spray nozzle features multiple holes for a softer cleanse and water saving operation.
  - Spray nozzle is self-cleaning, antibacterial, and removable for further cleaning.
  - Bidet seat has a glossy finish with protective bumpers and self-closing seat/lid.
- Includes polished chrome metal flush lever.

### SIGNATURE HARDWARE Lifetime Warranty

See website for detailed warranty information.

### CONTENTS

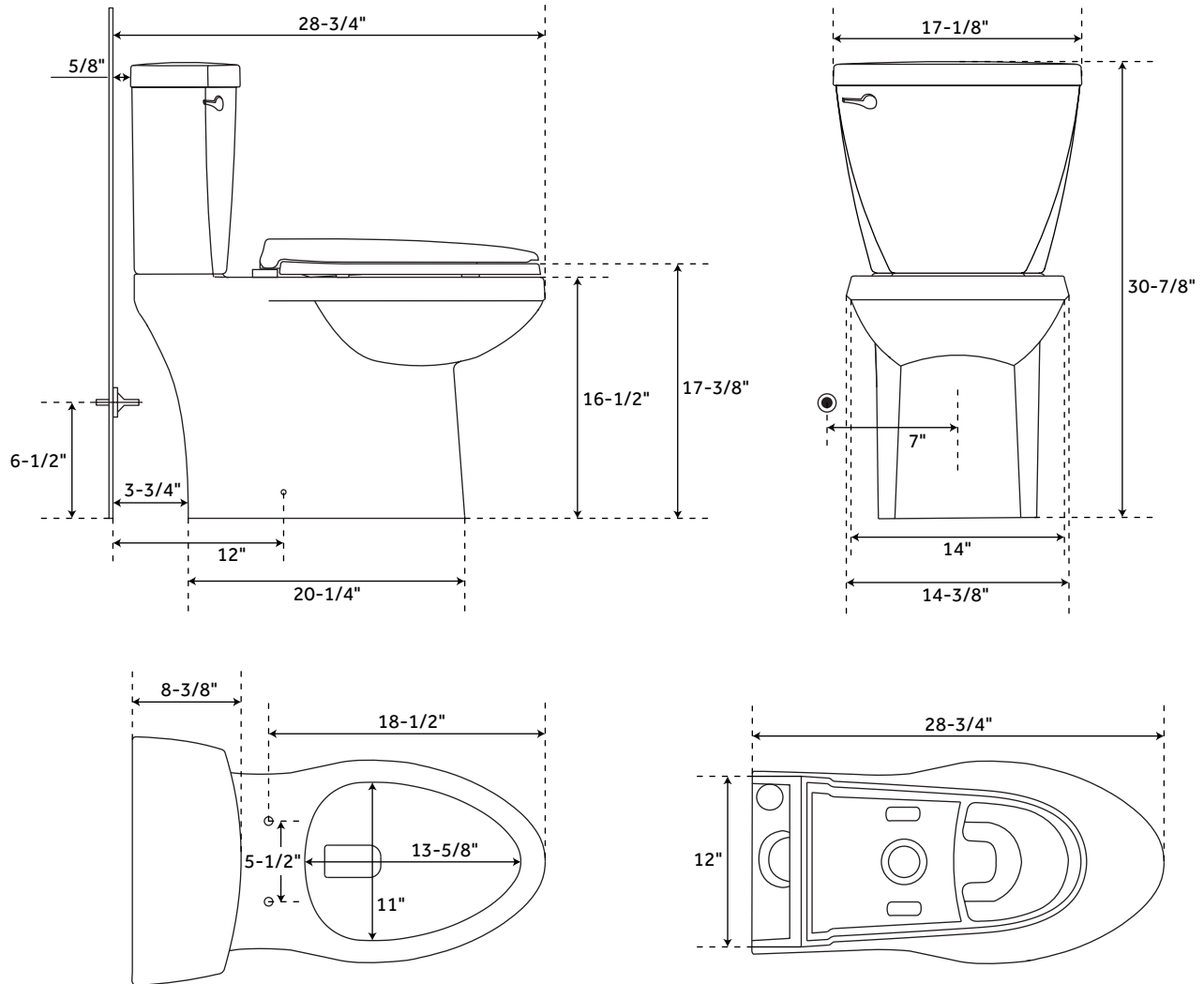
TOILET ..... PAGE 2

REVISED 01/17/2020

# BRADENTON

## TWO-PIECE SKIRTED ELONGATED TOILET - WHITE

SKU: 948428



### FEATURES

Product Finish: White  
Material: Porcelain  
Bowl Shape: Elongated  
Rough In: 12"  
Length: 17-1/8"  
Width: 28-3/4"  
Height: 30-7/8"  
Bowl Height: 16-1/2"  
Gallons Per Flush: 1.28 (4.8 Lpf)  
Hardware Finish: Chrome  
Seat Included: Yes

### CODES/STANDARDS

cUPC  
ASME A112.19.2/CSA B45.1  
ADA Compliant (when installed  
according to ADA standards)  
WaterSense

### SIGNATURE HARDWARE LIFETIME WARRANTY

See website for warranty information



All dimensions and specifications are nominal and may vary. Use actual products for accuracy in critical situations.

PAGE 2  
CODE: SHBD240SWH/SHBD200WH