

# TRADITIONAL

## ROUND RAINFALL SHOWER HEAD WITH EXTENDED SHOWER ARM

SKU: 949069



### FEATURES

- Shape: Round
- Assembly Required: No
- Shower Head Installation Type: Wall
- Shower Head Material: Brass
- Shower Head Spray: Rainfall
- Shower Arm Included: Yes
- Shower Head Swivel: Yes
- Shower Arm Material: Brass
- Shower Head Spray: Single Function (Full Spray)
- Easy Clean Rubber Nozzles
- Brass Ball Joint
- Escutcheon Included: Yes
- Shower Arm Escutcheon Included

### CONTENTS

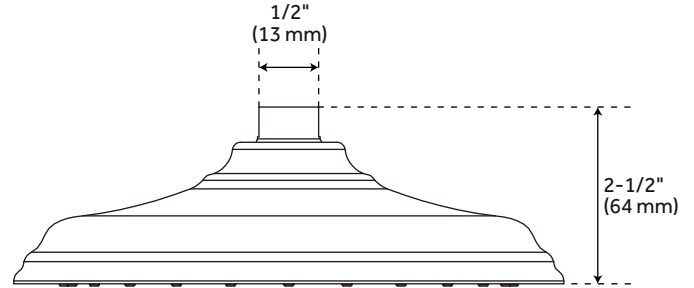
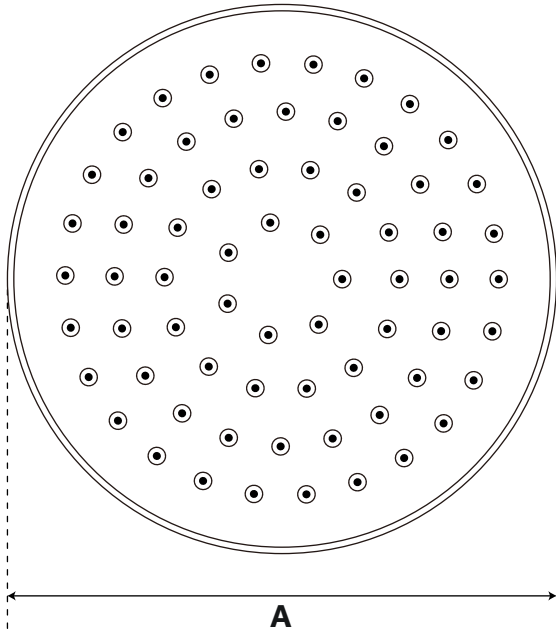
- SHOWER HEAD ..... PAGE 2
- SHOWER ARM ..... PAGE 3

REVISED 10/27/2020

# TRADITIONAL

## ROUND RAINFALL SHOWER HEAD

SKU: 949069



Product Code	Reference A	Max Flow-Rate
SHRS820TG	8" (203 mm)	1.8 gpm (6.8L/min) max @ 80 psi
SHRS825T	8" (203 mm)	2.5 gpm (9.5L/min) max @ 80 psi
SHRS1020TG	10" (254 mm)	1.8 gpm (6.8L/min) max @ 80 psi
SHRS1025T	10" (254 mm)	2.5 gpm (9.5L/min) max @ 80 psi

### FEATURES

Height: 2-1/2"  
NPT connection: 1/2"

### CODES/STANDARDS

#### SHRS820TG/SHRS1020TG

cUPC  
ASME A112.18.1/CSA B125.1  
CEC Listed  
Massachusetts Accepted



#### SHRS825T/SHRS1025T

cUPC  
ASME A112.18.1/CSA B125.1  
Massachusetts Accepted



### PRODUCT IMAGE



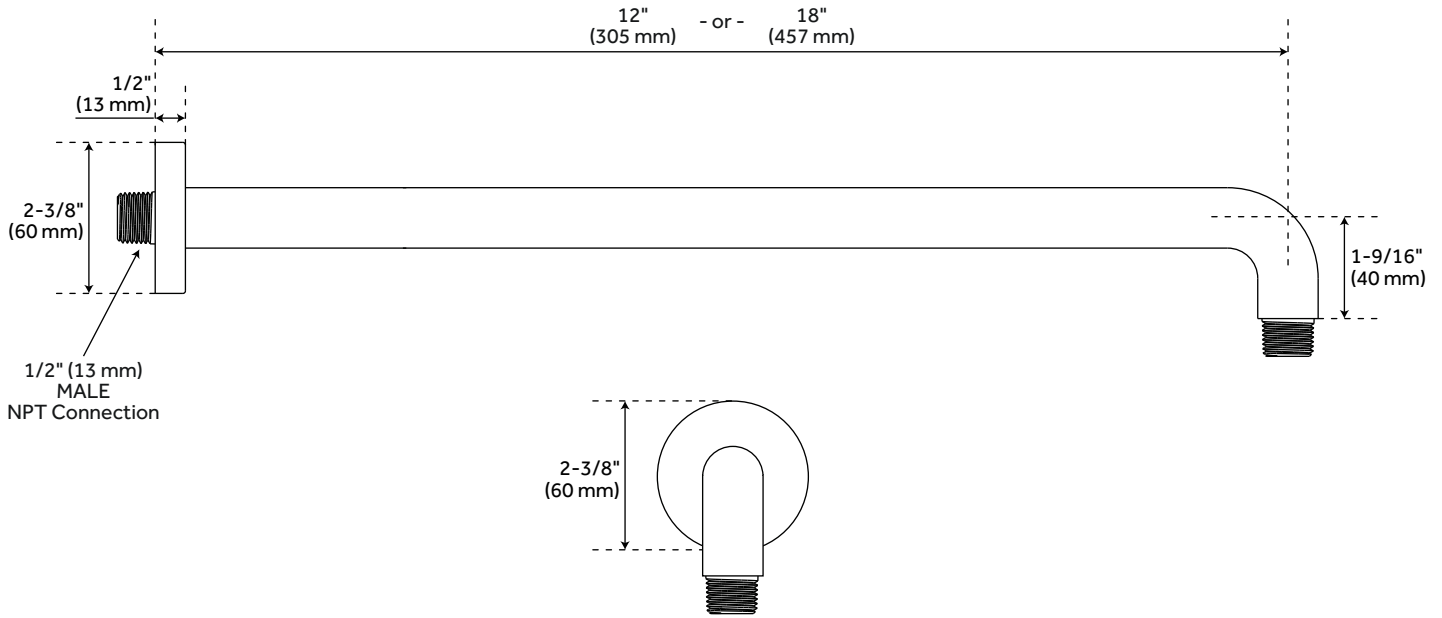
All dimensions and specifications are nominal and may vary. Use actual products for accuracy in critical situations.

PAGE 2  
Code: SHRS820TG  
SHRS825T, SHRS1020TG, SHRS1025T

# TRADITIONAL

## EXTENDED SHOWER ARM

SKU: 949069



### FEATURES

Height: 1-9/16"  
Base Plate Diameter: 2-3/8"  
NPT connection: 1/2"

### CODES/STANDARDS

cCSAus  
ASME A112.18.1/CSA B125.1  
Massachusetts Accepted

### PRODUCT IMAGE



All dimensions and specifications are nominal and may vary. Use actual products for accuracy in critical situations.

PAGE 3  
Code: SHRSA120, SHRS820T