

# VINTAGE

## MULTIFUNCTION HAND SHOWER AND HOSE

SKU: 949082



### FEATURES

- Assembly Required: No
- 5 Function Hand Shower (Full Spray, Massage Spray, Aerated Spray, Full & Massage Spray, and Full & Aerated Spray)
- Easy-Clean Spray Nozzles
- Factory Installed Backflow Prevention Check Valve
- 60" - 72" Stretchable Metal Shower Hose
- Double Spiral Constructed Hose
- Metal Conical Nut
- Hand Shower Flow Rate: 1.8 gpm (6.8 L/min) @ 80 psi

### CONTENTS

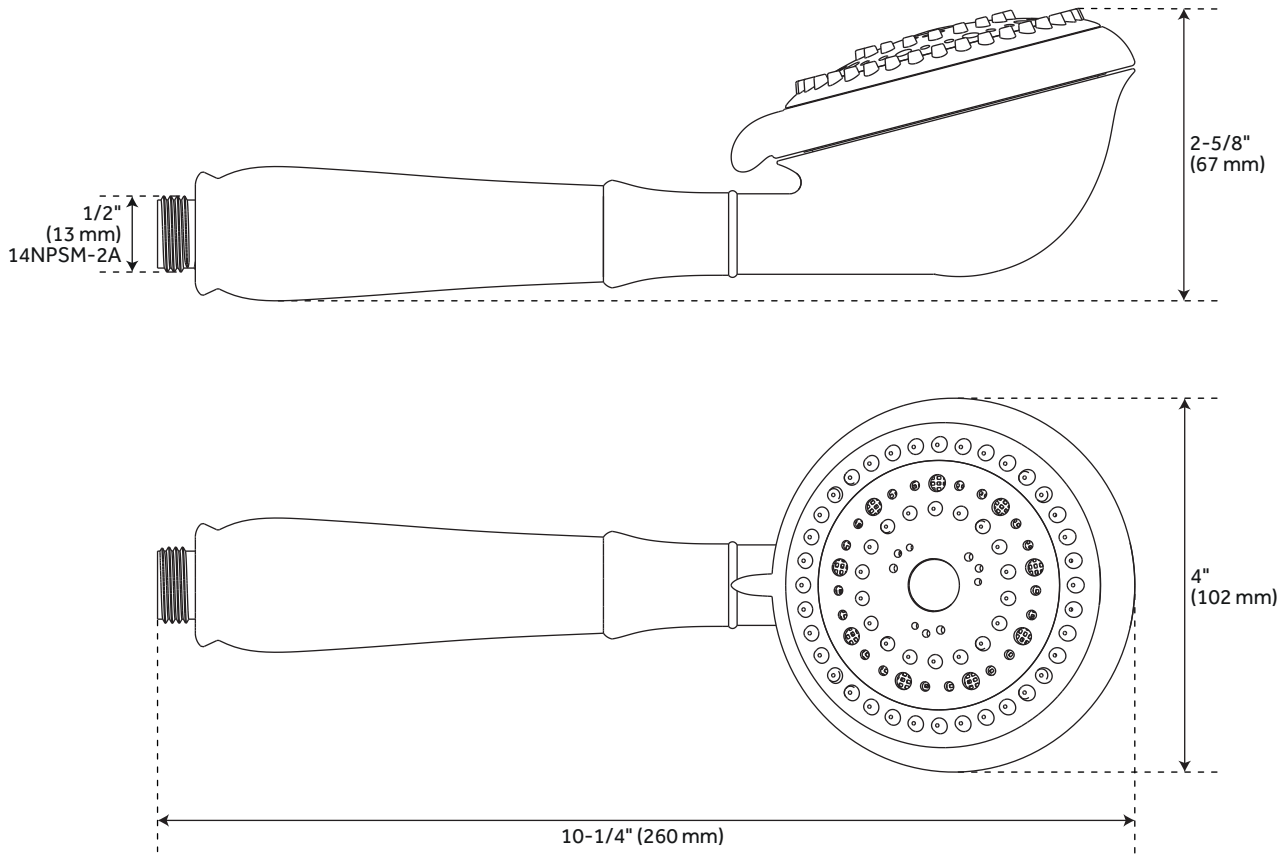
HAND SHOWER .....	PAGE 2
HOSE .....	PAGE 3

REVISED 12/03/2020

# VINTAGE

## MULTIFUNCTION HAND SHOWER

SKU: 949082



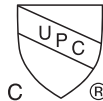
### FEATURES

Material: ABS  
Shape: Round  
Length: 4"  
Width: 2-5/8"  
Height: 10-1/4"

### CODES/STANDARDS

cUPC  
ASME A112.18.1/CSA B125.1  
ASME A112.18.3  
WaterSense  
CEC Listed  
Massachusetts Accepted

### PRODUCT IMAGE



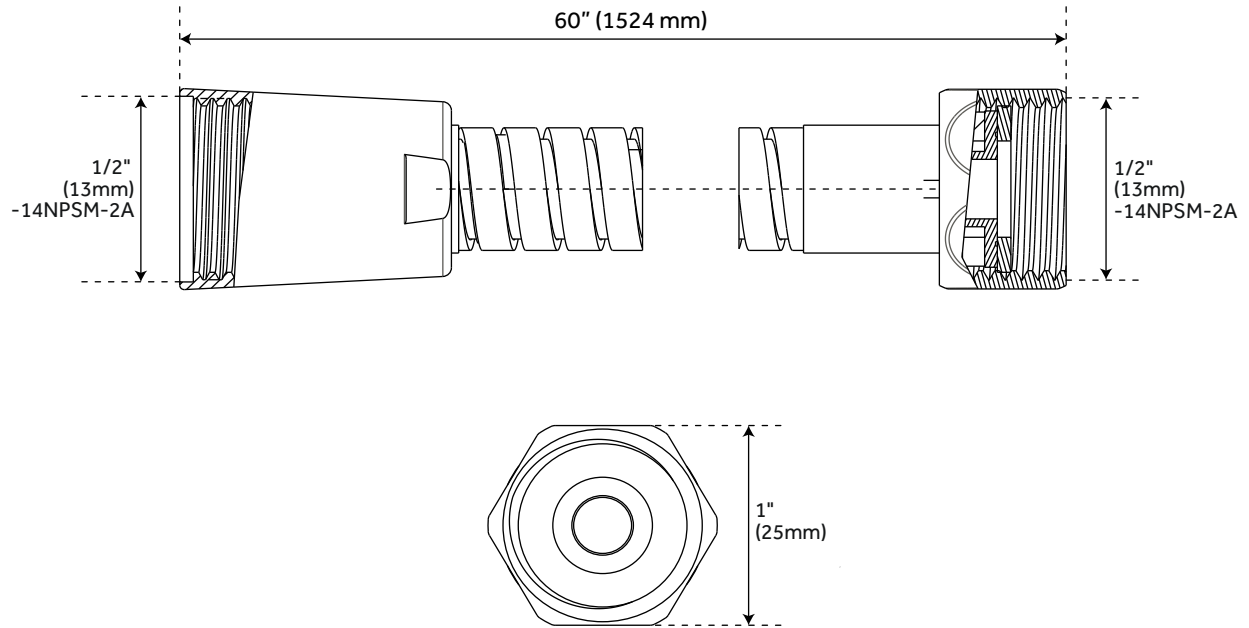
All dimensions and specifications are nominal and may vary. Use actual products for accuracy in critical situations.

PAGE 2  
Code: SHHS4050G

# VINTAGE

## METAL HAND SHOWER HOSE

SKU: 949082



### FEATURES

Length: 60"  
Width: 1/2"  
NPT Connection: 1/2"

### CODES/STANDARDS

cUPC  
ASME A112.18.1/CSA B125.1  
Massachusetts Accepted

### PRODUCT IMAGE



All dimensions and specifications are nominal and may vary. Use actual products for accuracy in critical situations.

PAGE 3  
Code: SHH1010