

VILAMONTE PRESSURE BALANCE SHOWER SET

SKU: 948668

Code: SHVL8020G, SH4001



FEATURES

Installation Type: Wall Mount
Features: Pressure-Balanced
Design: Modern
Material: Brass
Base Plate Height: 6-11/16"
Assembly Required: No
Shape: Square
Handle Type: Lever
Base Plate Width: 6-11/16"
NPT Connection: 1/2"
Shower Head Installation Type: Wall
Shower Head Material: ABS
Shower Head Spray: Single Function
Shower Head Length: 6"
Shower Head Width: 6"
Shower Arm Included: Yes
Shower Arm Extension: 6-7/8"
Shower Head IPS: 1/2"
Shower Head Swivel: Yes
Valve Trim Width: 6-11/16"
Valve Trim Height: 6-11/16"
Shower Head Flow Rate: 1.8 gpm (6.8 L/min) @ 80 psi

ASME A112.18.1/CSA B125.1

ASSE 1016 Type P

ICC/ANSI A117.1

CEC Listed

WaterSense by IAPMO

Massachusetts Accepted



REVISED 2/20/2024

VILAMONTE PRESSURE BALANCE SHOWER SET

SKU: 948668

Code: SHVL8020G, SH4001

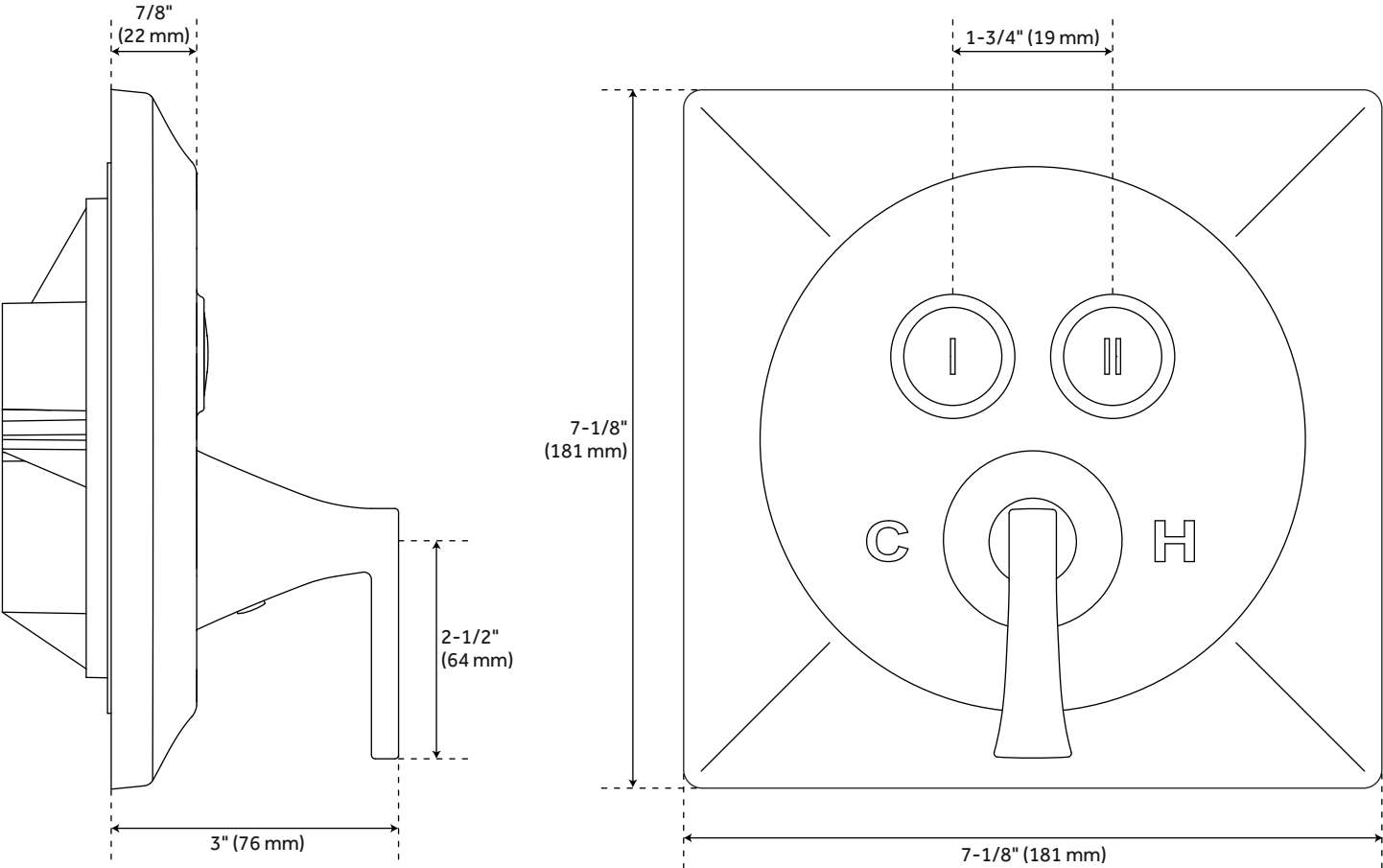


ADDITIONAL FEATURES

- Metal handle.
- Optional Rough-in Valve:
 - Pressure balance valve with integral stops.
 - One-piece cartridge design for ease of maintenance.
 - Back-to-back capability.
 - Ceramic disc valve cartridge.
 - Cast bronze valve body.
 - Adjustable temperature limit stop.
 - Quick remove plaster guard.
 - Easy mounting brackets.

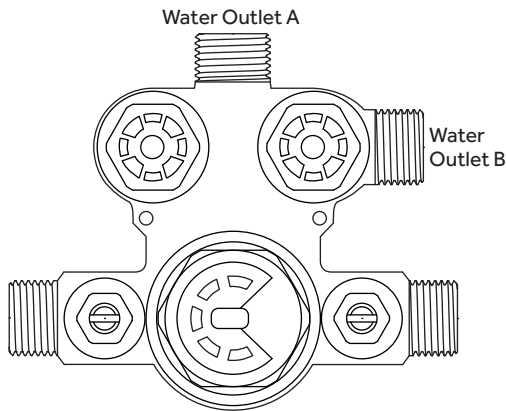
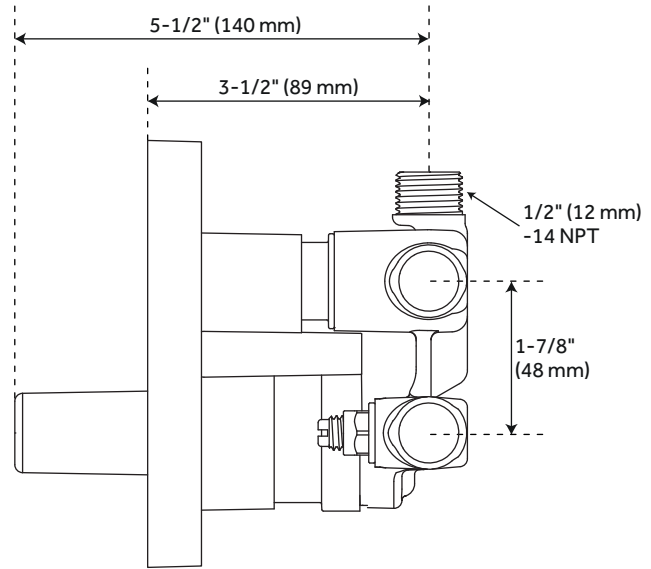
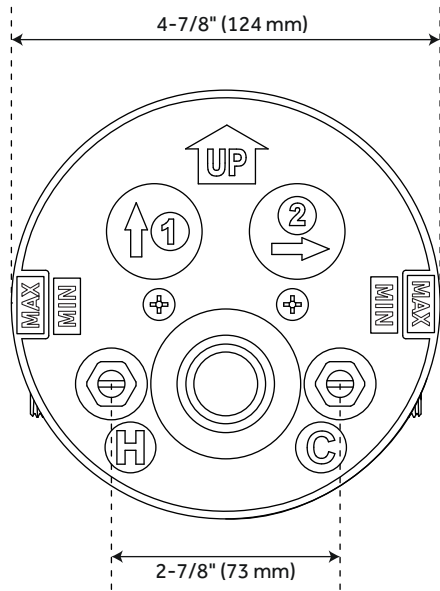
REVISED 2/20/2024

VALMONTE PRESSURE BALANCE SHOWER VALVE



All dimensions and specifications are nominal and may vary. Use actual products for accuracy in critical situations.

VILAMONTE OPTIONAL PRESSURE BALANCE ROUGH-IN VALVE



STANDARD:

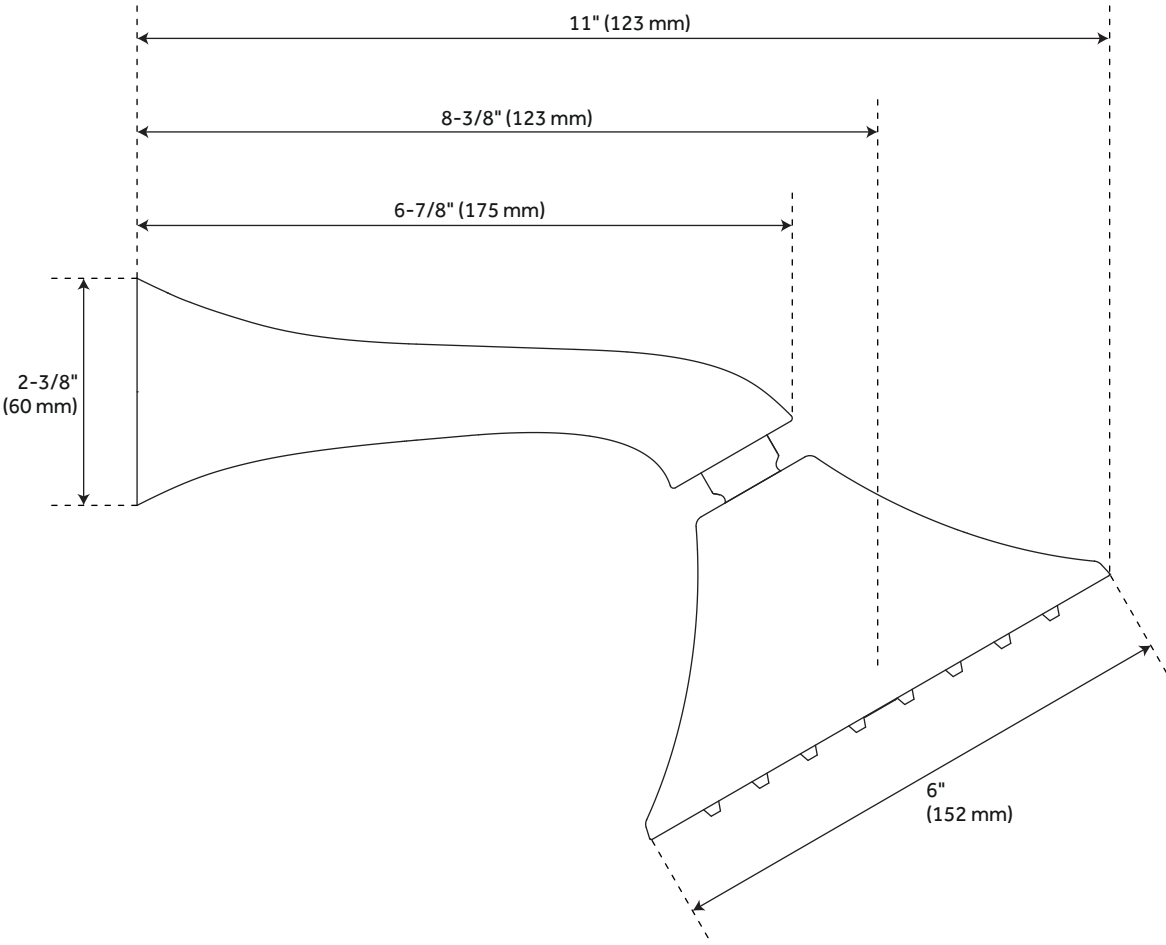
Pressure (psi)		20	40	60	80
Simultaneous (Both Valves Open)	Total (gpm)	3.4	5	6.3	7.4
	Outlet A (gpm)	1.2	2.2	2.9	3.5
	Outlet B (gpm)	2.2	2.8	3.4	3.9
Separate (A or B Closed)	Outlet A (gpm)	2.5	3.9	4.8	5.5
	Outlet B (gpm)	2.5	3.9	4.8	5.5

WITH FLOW RESTRICTOR:

Pressure (psi)		20	40	60	80
Simultaneous (Both Valves Open)	Total (gpm)	1.20	1.40	1.53	1.64
	Outlet A (gpm)	0.43	0.56	0.64	0.68
	Outlet B (gpm)	0.77	0.84	0.89	0.96
Separate (A or B Closed)	Outlet A (gpm)	1.17	1.38	1.49	1.59
	Outlet B (gpm)	1.16	1.39	1.49	1.60

All dimensions and specifications are nominal and may vary. Use actual products for accuracy in critical situations.

VALMONTE WALL-MOUNT SHOWER HEAD



All dimensions and specifications are nominal and may vary. Use actual products for accuracy in critical situations.