

VILAMONTE PRESSURE BALANCE TUB AND SHOWER SET

SKU: 948888

Code: SHVL8030, SH4001



FEATURES

Installation Type: Wall Mount

Features: Pressure-Balanced

Design: Modern

Material: Metal

Base Plate Height: 6-11/16"

Assembly Required: No

Shape: Square

Handle Type: Lever

Base Plate Width: 6-11/16"

NPT Connection: 1/2"

Shower Head Installation Type: Wall

Shower Head Material: ABS

Shower Head Spray: Single Function

Shower Head Length: 6"

Shower Head Width: 6"

Shower Arm Included: Yes

Shower Arm Extension: 6-7/8"

Shower Head IPS: 1/2"

Shower Head Swivel: Yes

Valve Trim Width: 6-11/16"

Valve Trim Height: 6-11/16"

Diverter Included: Yes

Shower Head Flow Rate: 1.8 gpm (6.8 L/min) @ 80 psi

ASME A112.18.1/CSA B125.1

WaterSense by IAPMO



REVISED 2/27/2024

VILAMONTE PRESSURE BALANCE TUB AND SHOWER SET

SKU: 948888

Code: SHVL8030, SH4001

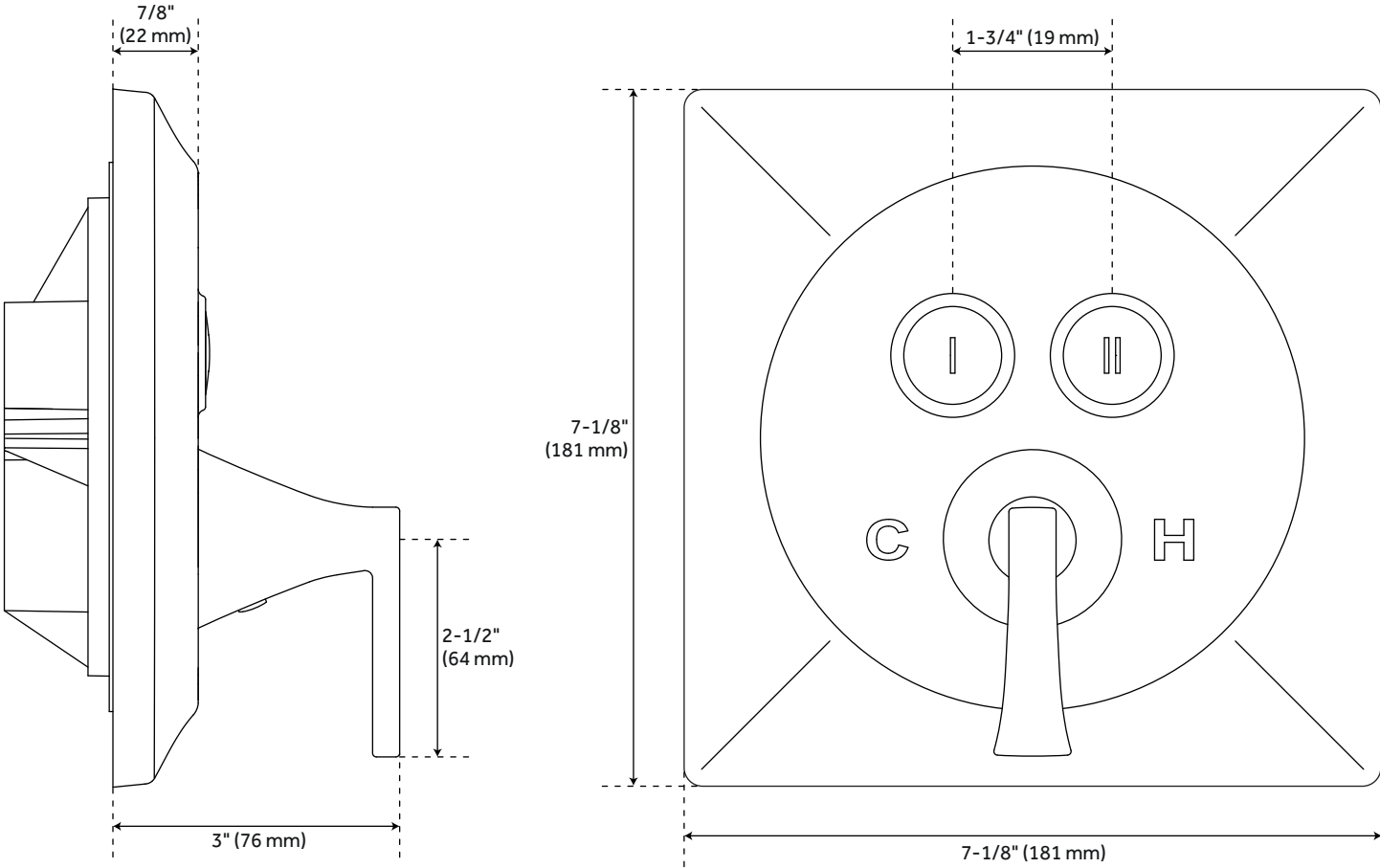


ADDITIONAL FEATURES

- Metal handle
- Tub spout diverter.
- Slip-fit tub spout.
- Optional Rough-in Valve:
 - Pressure balance valve with integral stops.
 - One-piece cartridge design for ease of maintenance.
 - Back-to-back capability.
 - Ceramic disc valve cartridge.
 - Cast bronze valve body.
 - Adjustable temperature limit stop.
 - Quick remove plaster guard.
 - Easy mounting brackets.

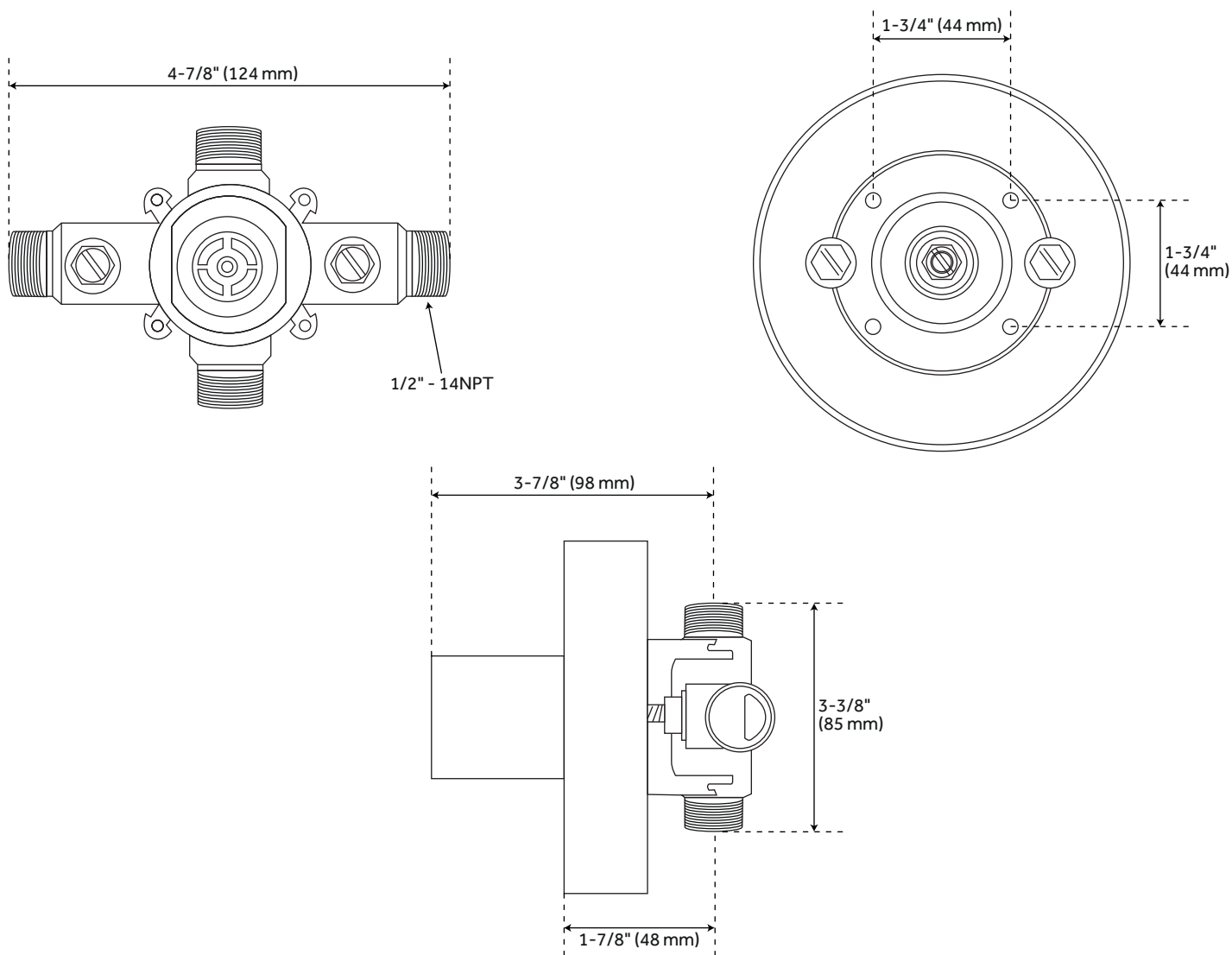
REVISED 2/27/2024

VALMONTE PRESSURE BALANCE SHOWER VALVE



All dimensions and specifications are nominal and may vary. Use actual products for accuracy in critical situations.

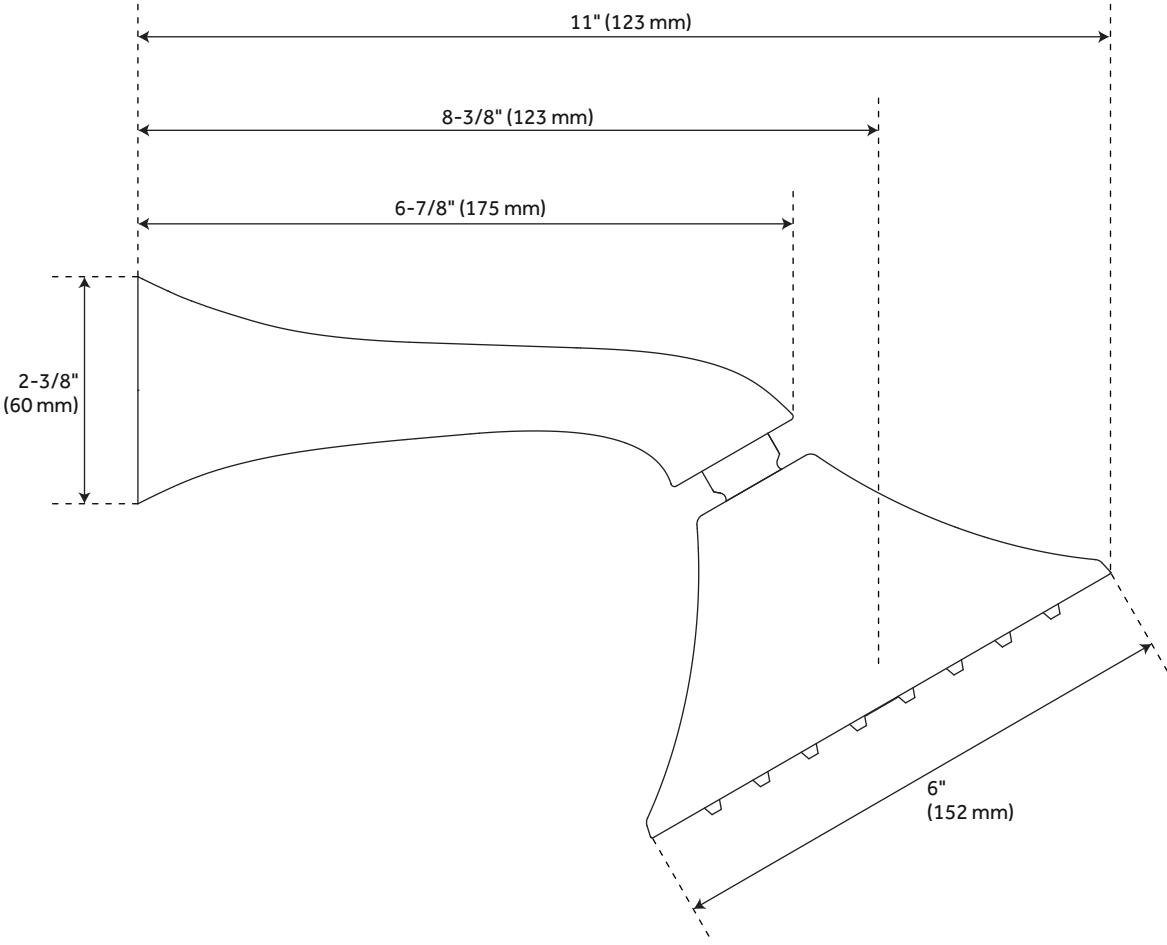
VILAMONTE OPTIONAL ROUGH-IN VALVE FOR PRESSURE BALANCE VALVE TRIM



All dimensions and specifications are nominal and may vary. Use actual products for accuracy in critical situations.

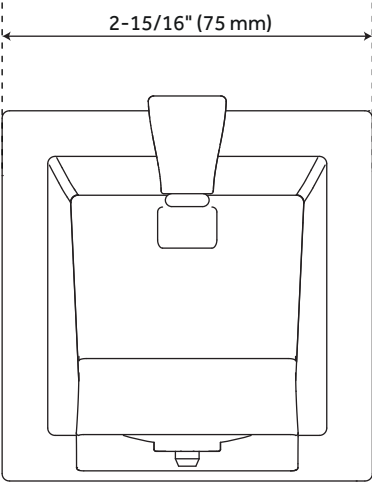
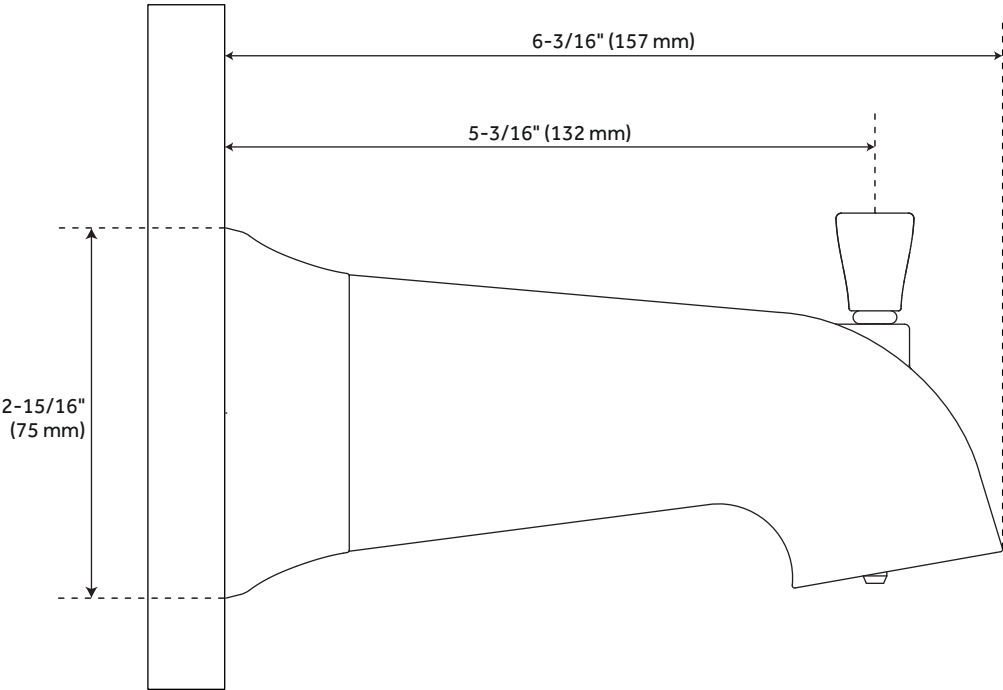
Code: SH4001

VILAMONTE WALL-MOUNT SHOWER HEAD



All dimensions and specifications are nominal and may vary. Use actual products for accuracy in critical situations.

VILAMONTE TUB SPOUT WITH DIVERTER



All dimensions and specifications are nominal and may vary. Use actual products for accuracy in critical situations.