

PROVINCETOWN

TUB SPOUT WITH DIVERTER

SKU: 949098



FEATURES

Installation Type: Wall Mount
Design: Modern
Material: Zinc
Faucet Centers: Single-Hole
Diverter Included: Yes
Assembly Required: No

CONTENTS

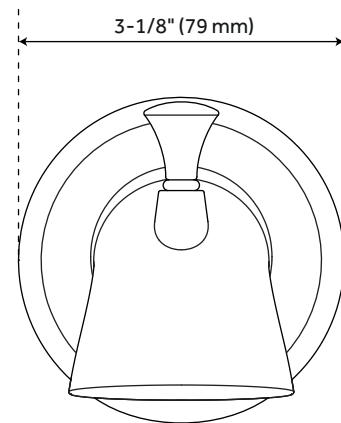
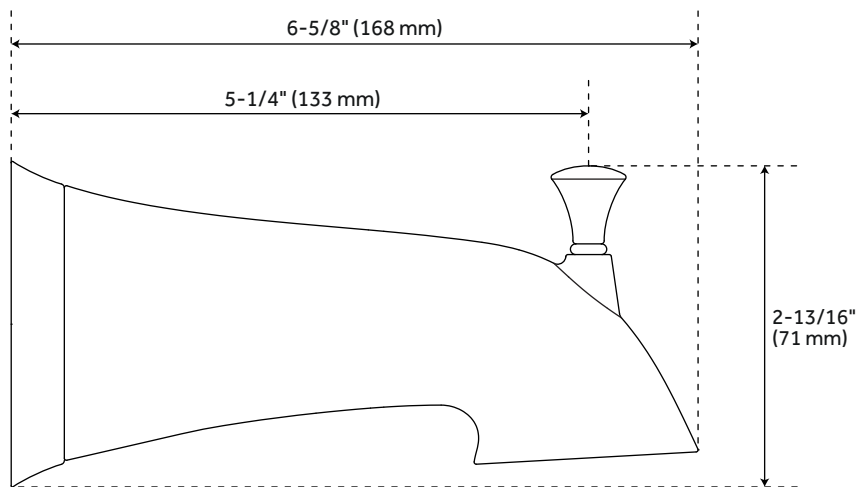
TUB SPOUT PAGE 2

REVISED 09/13/2022

PROVINCETOWN

TUB SPOUT WITH DIVERTER

SKU: 949098



FEATURES

Length: 6-5/8"
Height: 2-13/16"
Base Plate Diameter: 3-1/8"
Spout Reach: 5-1/4"
Slip Fit Connection: 1/2"

CODES/STANDARDS

cUPC
ASME A112.18.1/CSA B125.1
CEC Listed
Massachusetts Accepted

LISTED ID:

SHTS80

PRODUCT IMAGE



All dimensions and specifications are nominal and may vary. Use actual products for accuracy in critical situations.

PAGE 2
Code: SHTS80