

RIGI IN-WALL SHOWER VOLUME CONTROL

SKU: 948909

Code: SHVL9007, SH6040, SHRI9007, SH6020



FEATURES

Material: Brass

LISTED ID: SH6040, SHRI9007*, SH6020



ADDITIONAL FEATURES

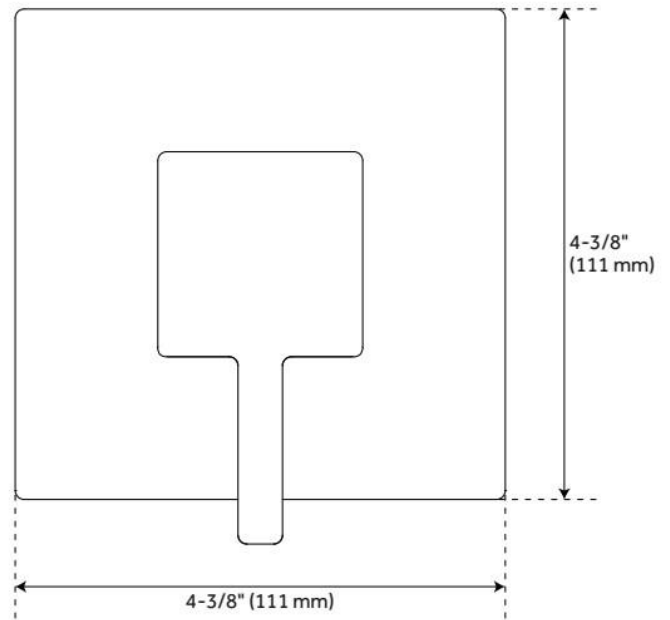
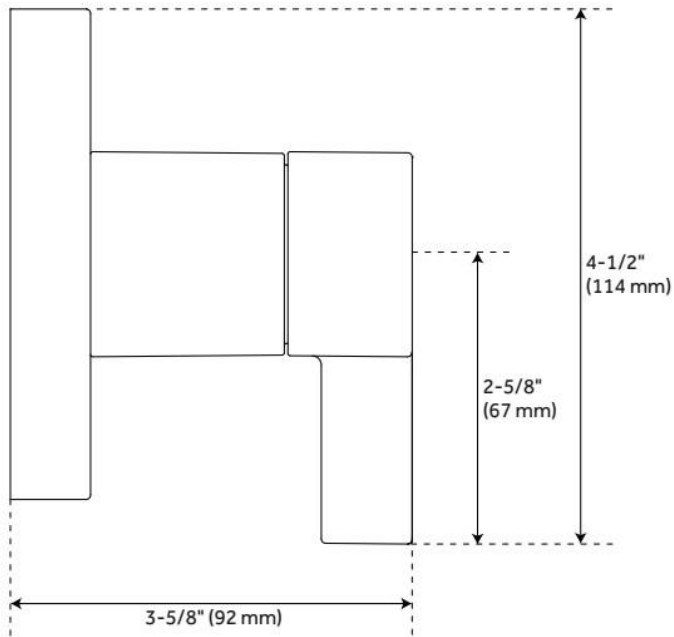
- Metal lever handle.
- Wall thickness range: 1" to 1-3/4"
- For proper installation, requires use of a thermostatic valve and trim.
- Optional Rough-in Valve:
 - Brass valve body.
 - Ceramic cartridge.
 - Recommended valve installation depth 1-5/8" to 2-3/8"

REVISED 5/31/2024

RIGI IN-WALL SHOWER VOLUME CONTROL

SKU: 948909

Code: SHVL9007, SH6040, SHRI9007, SH6020



REVISED 5/31/2024

VOLUME CONTROL ROUGH-IN VALVE

SKU: 948546

Code: SH6020, SH6040

FEATURES



ASME A112.18.1/CSA B125.1, Massachusetts Accepted, LISTED ID: SH6020, SH6040



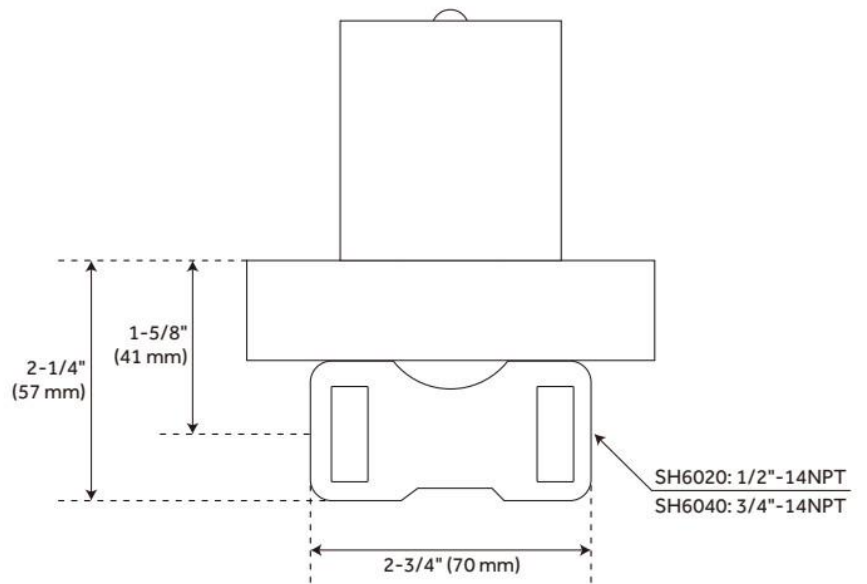
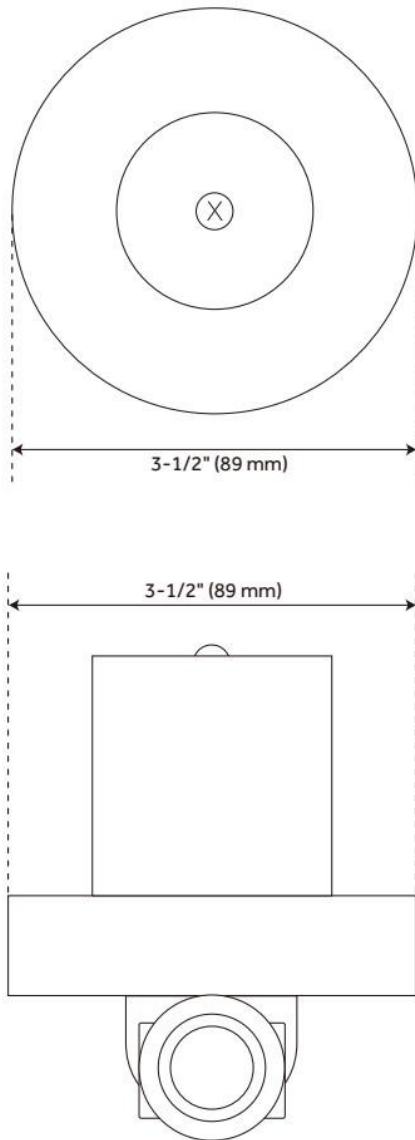
ADDITIONAL FEATURES

- Intended for use with a thermostatic valve and trim.
- Bronze valve body.
- Ceramic cartridge.
- Compatible with Beasley, Berwyn, Boca Raton, Drea, Edenton, Elita, Greyfield, Gunther, Hibiscus, Key West, Lentz, Lexia, Pendleton, Pinecrest, Provincetown, Rigi, Sefina, Vassor and Vilamonte Volume Control Trims.

REVISED 5/31/2024

VOLUME CONTROL ROUGH-IN VALVE

SKU: 948546
Code: SH6020, SH6040



REVISED 5/31/2024