

# KEY WEST IN-WALL SHOWER DIVERTER

SKU: 948903

Code: SHKW9005, SH6103



## FEATURES

Material: Brass

LISTED ID: SHKW9005\*, SH6103



## ADDITIONAL FEATURES

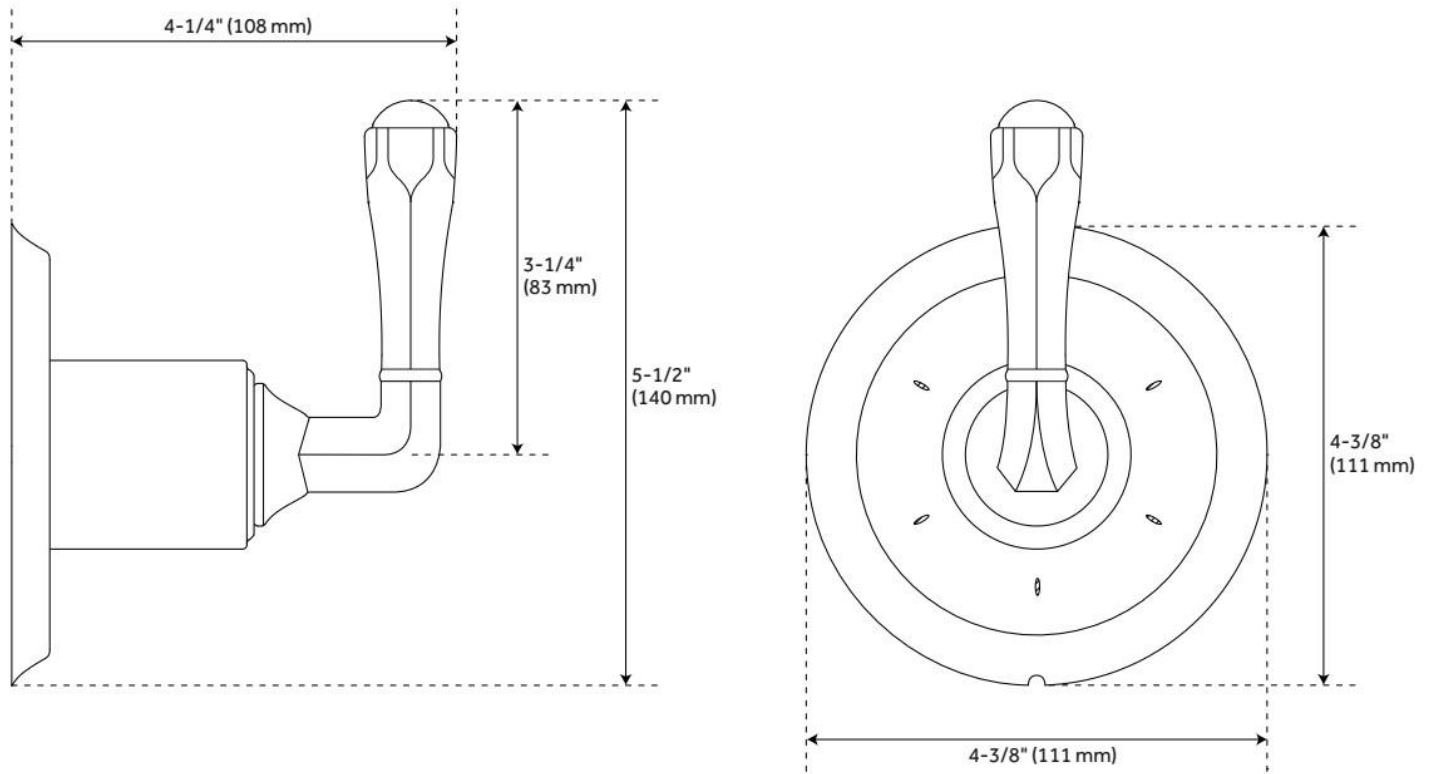
- Metal Lever Handle.
- Not intended as a shut off valve.
- Six total settings allow for shared water flow between outlets, giving you the ability to use two functions at once.
- Wall thickness range: 1" - 1-3/4".
- Optional Rough-in Valve:
  - Available Single-Function Diverter Valve Cartridge restricts water flow to one outlet at a time.
  - Brass valve body.
  - Ceramic cartridge.
  - Recommended valve installation depth 1-5/8" to 2-3/8".
  - Must be installed in accordance with provided installation instructions.

REVISED 5/28/2024

# KEY WEST IN-WALL SHOWER DIVERTER

SKU: 948903

Code: SHKW9005, SH6103



REVISED 5/28/2024

# 3-WAY IN-WALL DIVERTER ROUGH-IN VALVE

SKU: 953056  
Code: SH6103, SH6101

## FEATURES

Material: Brass



ASME A112.18.1/CSA B125.1, ASME A112.18.2/CSA B125.2, Massachusetts Accepted, LISTED ID: SH6103, SH6101



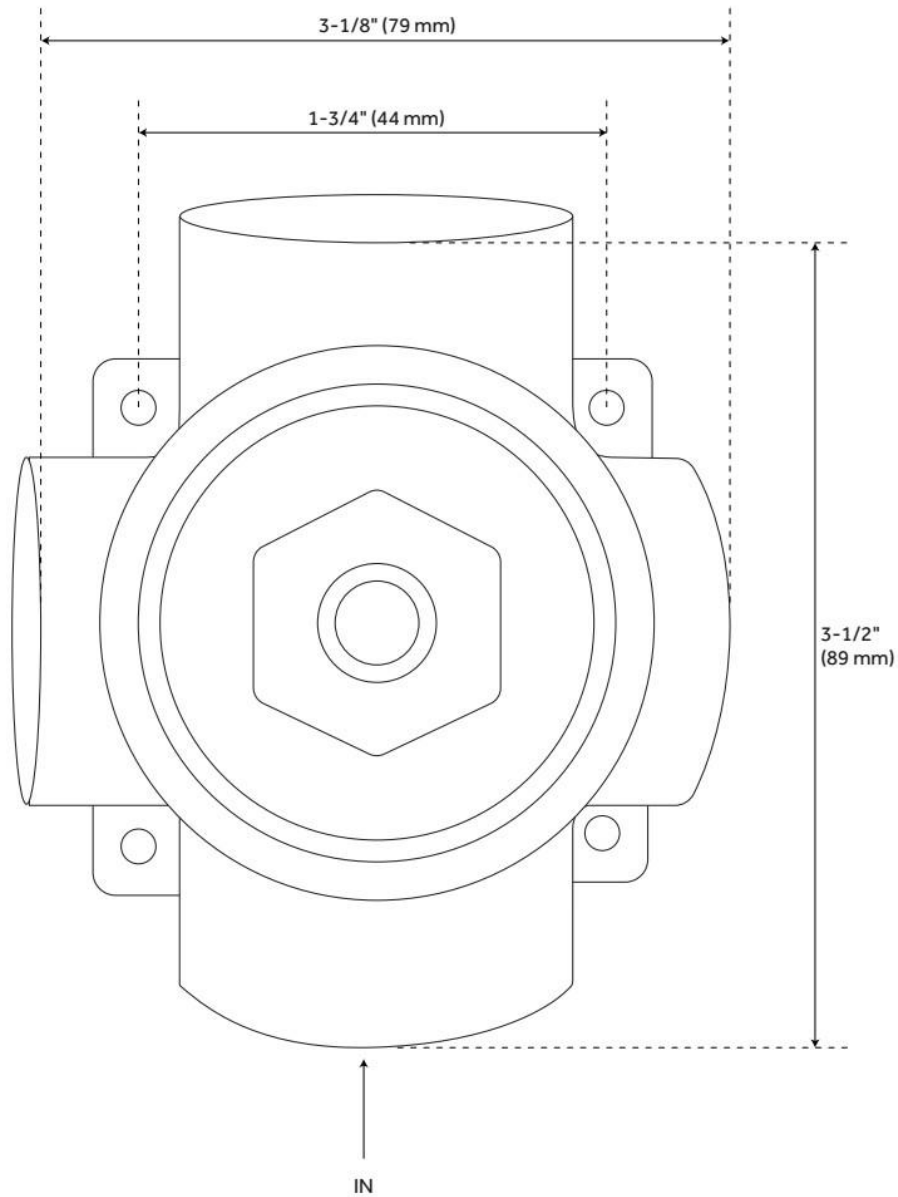
## ADDITIONAL FEATURES

- Six total settings allow for shared water flow between outlets, giving you the ability to use two functions at once.
- Ceramic cartridge.
- Available Single-Function Diverter Valve Cartridge restricts water flow to one outlet at a time.
- Not intended as a shut off valve.
- For installations only requiring 2 outlets, the 3rd outlet may be looped into one of the existing pipes.
- Compatible with Boca Raton, Carraway, Edenton, Greyfield, Hibiscus, Key West, Lentz, Pendleton, Pinecrest, Provincetown, Rigi, St. Martin and Vilamonte Diverter Trims.

REVISED 5/23/2024

# 3-WAY IN-WALL DIVERTER ROUGH-IN VALVE

SKU: 953056  
Code: SH6103, SH6101



REVISED 5/23/2024