

HIBISCUS PRESSURE BALANCE SHOWER VALVE

SKU: 948891

Code: SHHB8010, SH4001



FEATURES

Material: Brass

Required for Installation: Rough-in valve: SH4001

ASME A112.18.1/CSA B125.1, ASSE 1016 Type P, Massachusetts Accepted, LISTED ID: SHHB8010*, SH4001



ADDITIONAL FEATURES

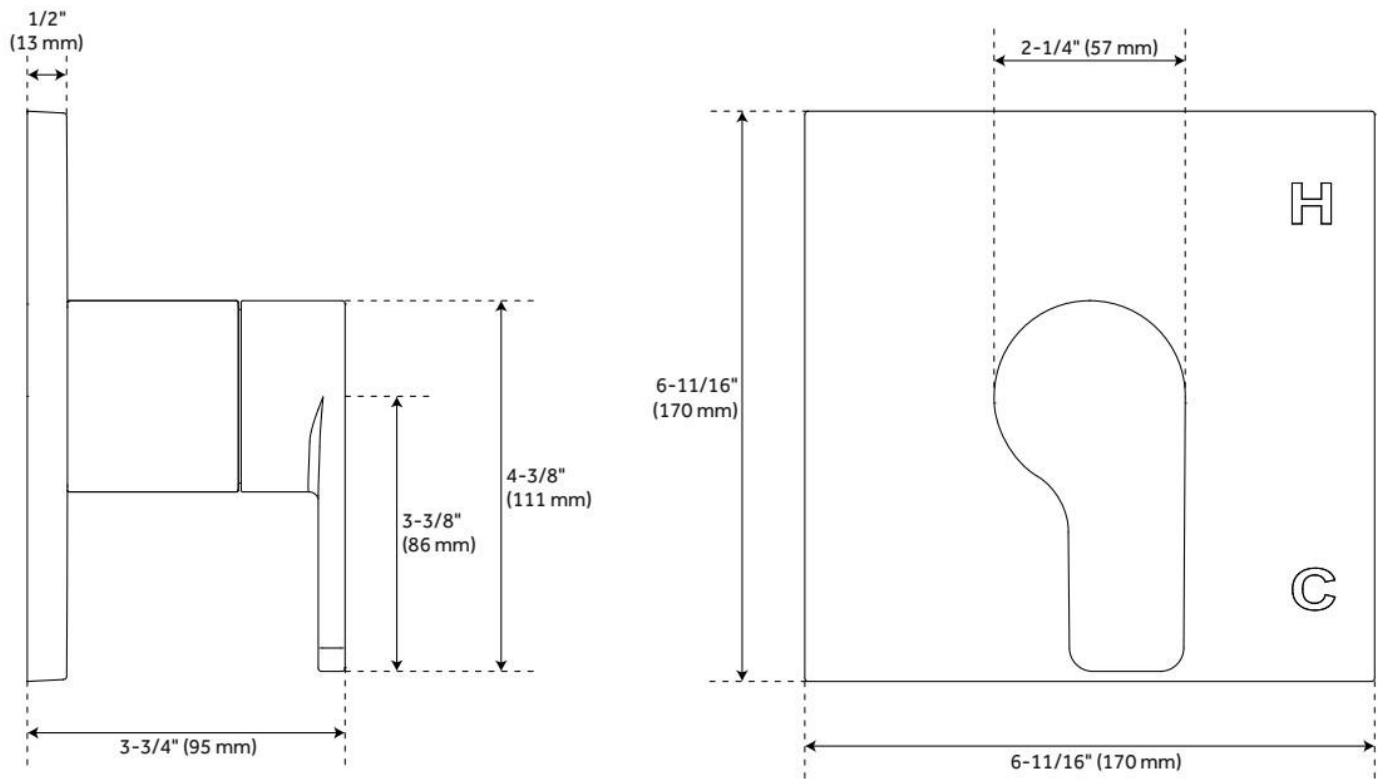
- Metal handle.
- Metal escutcheon.
- Optional Rough-in Valve:
 - Pressure balance valve with integral stops.
 - One-piece cartridge design for ease of maintenance.
 - Back-to-back capability.
 - Ceramic disc valve cartridge.
 - Cast bronze valve body.
 - Adjustable temperature limit stop.
 - Quick remove plaster guard.
 - Easy mounting brackets.

REVISED 6/12/2024

HIBISCUS PRESSURE BALANCE SHOWER VALVE

SKU: 948891

Code: SHHB8010, SH4001



REVISED 6/12/2024