

# GREYFIELD PRESSURE BALANCE SHOWER VALVE

SKU: 948890

Code: SHGF8010, SH4001, SH484194, SH484195, SH485507, SH485520



## FEATURES

Installation Type: Wall Mount

Features: Pressure-Balanced

Design: Modern

Material: Brass

Assembly Required: No

Shape: Round

Handle Type: Lever

NPT Connection: 1/2"

Valve Trim Width: 6-11/16"

Valve Trim Height: 6-11/16"

ASME A112.18.1/CSA B125.1

ASSE 1016 Type P

Massachusetts Accepted



REVISED 1/23/2024

# GREYFIELD PRESSURE BALANCE SHOWER VALVE

SKU: 948890

Code: SHGF8010, SH4001, SH484194, SH484195, SH485507, SH485520

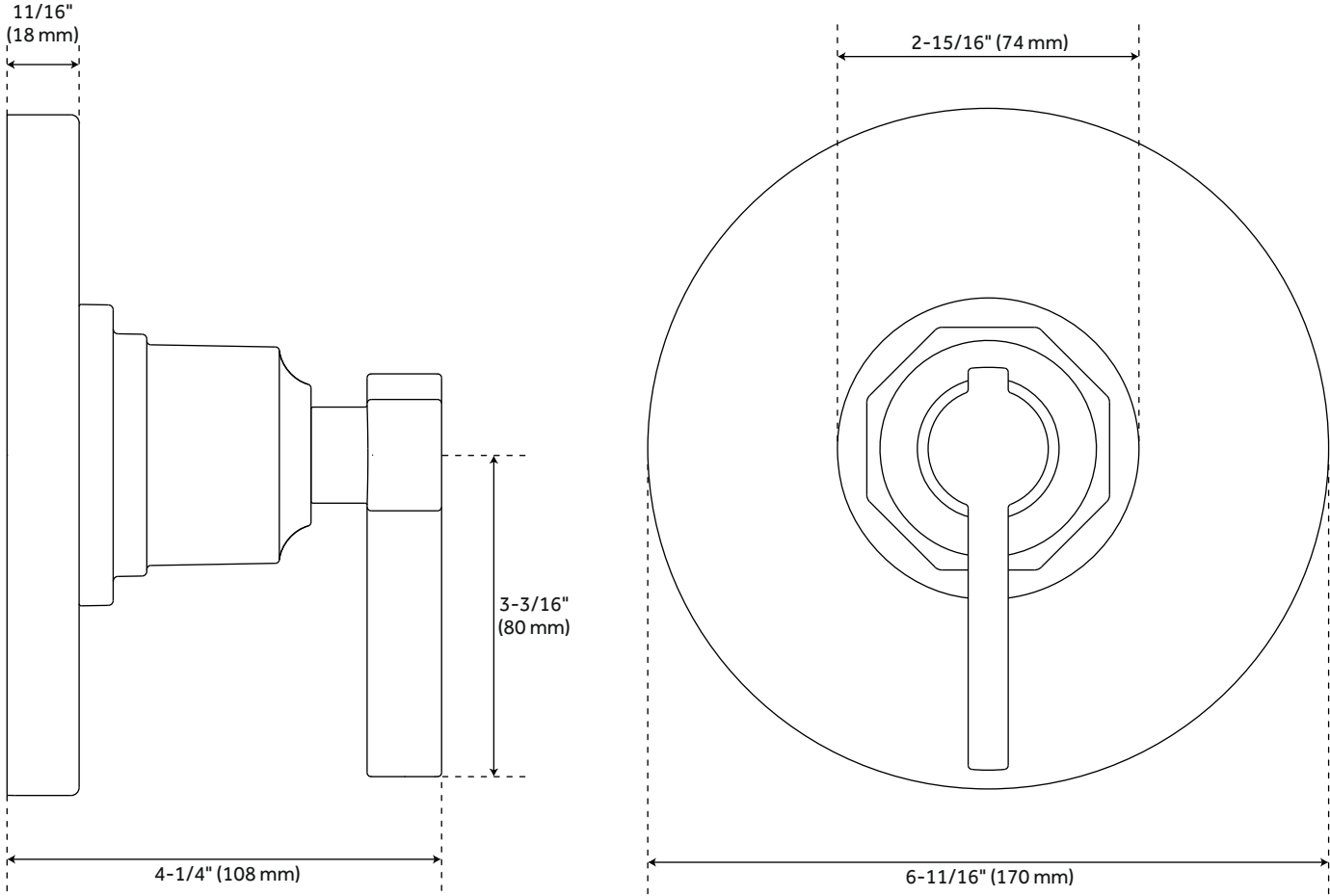


## ADDITIONAL FEATURES

- Metal handle.
- Metal escutcheon.
- Optional Rough-in Valve:
  - Pressure balance valve with integral stops.
  - One-piece cartridge design for ease of maintenance.
  - Back-to-back capability.
  - Ceramic disc valve cartridge.
  - Cast bronze valve body.
  - Adjustable temperature limit stop.
  - Quick remove plaster guard.
  - Easy mounting brackets.

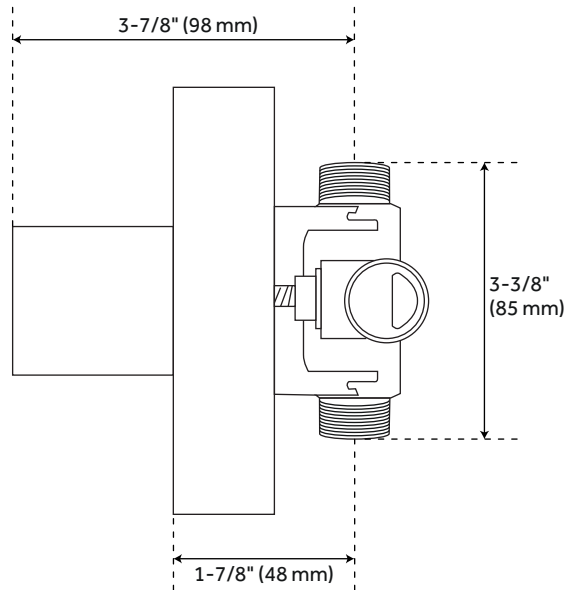
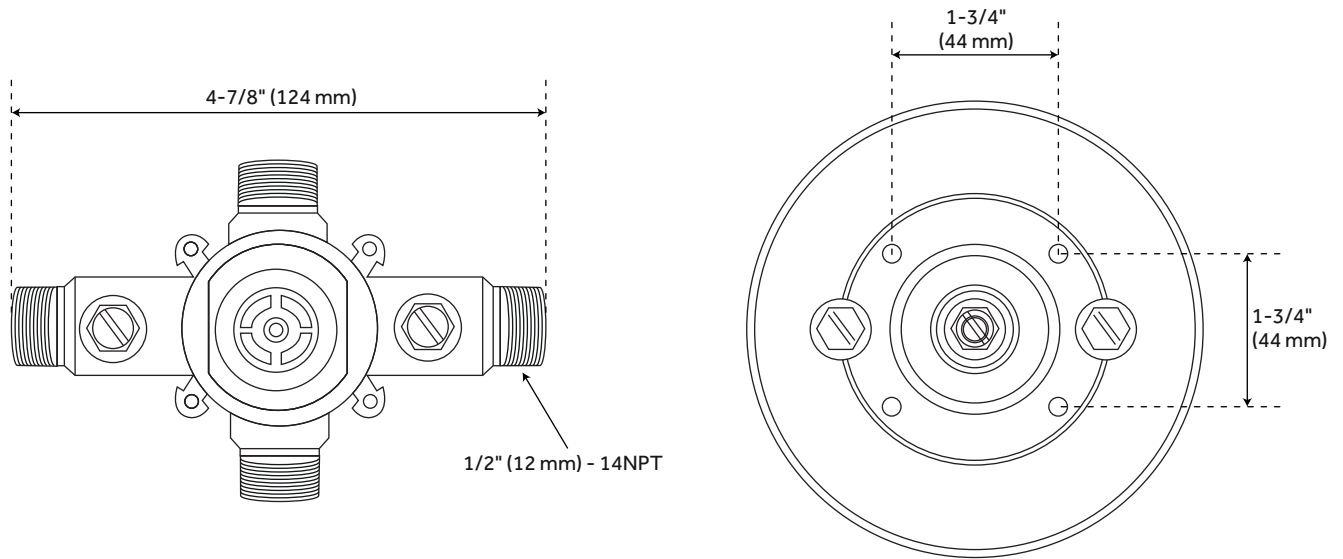
REVISED 1/23/2024

# GREYFIELD PRESSURE BALANCE SHOWER VALVE



All dimensions and specifications are nominal and may vary. Use actual products for accuracy in critical situations.

# GREYFIELD OPTIONAL PRESSURE BALANCE TUB AND SHOWER ROUGH-IN VALVE



All dimensions and specifications are nominal and may vary. Use actual products for accuracy in critical situations.