

PROVINCETOWN 3-HOLE ROMAN TUB FAUCET

SKU: 948683

Code: SHPR3RT, SH674163



FEATURES

Material: Metal construction for strength and durability

Installation Type: Deck Mount

Flow Rate: 18.9 gpm (71.5 L/min) @ 80 psi

Cartridge Type: Ceramic Disc

Swivel Spout: No

Required for Installation: Rough-in valve: SH674163

ASME A112.18.1/CSA B125.1, Massachusetts Accepted, LISTED ID: SHPR3RT*, SH674163



ADDITIONAL FEATURES

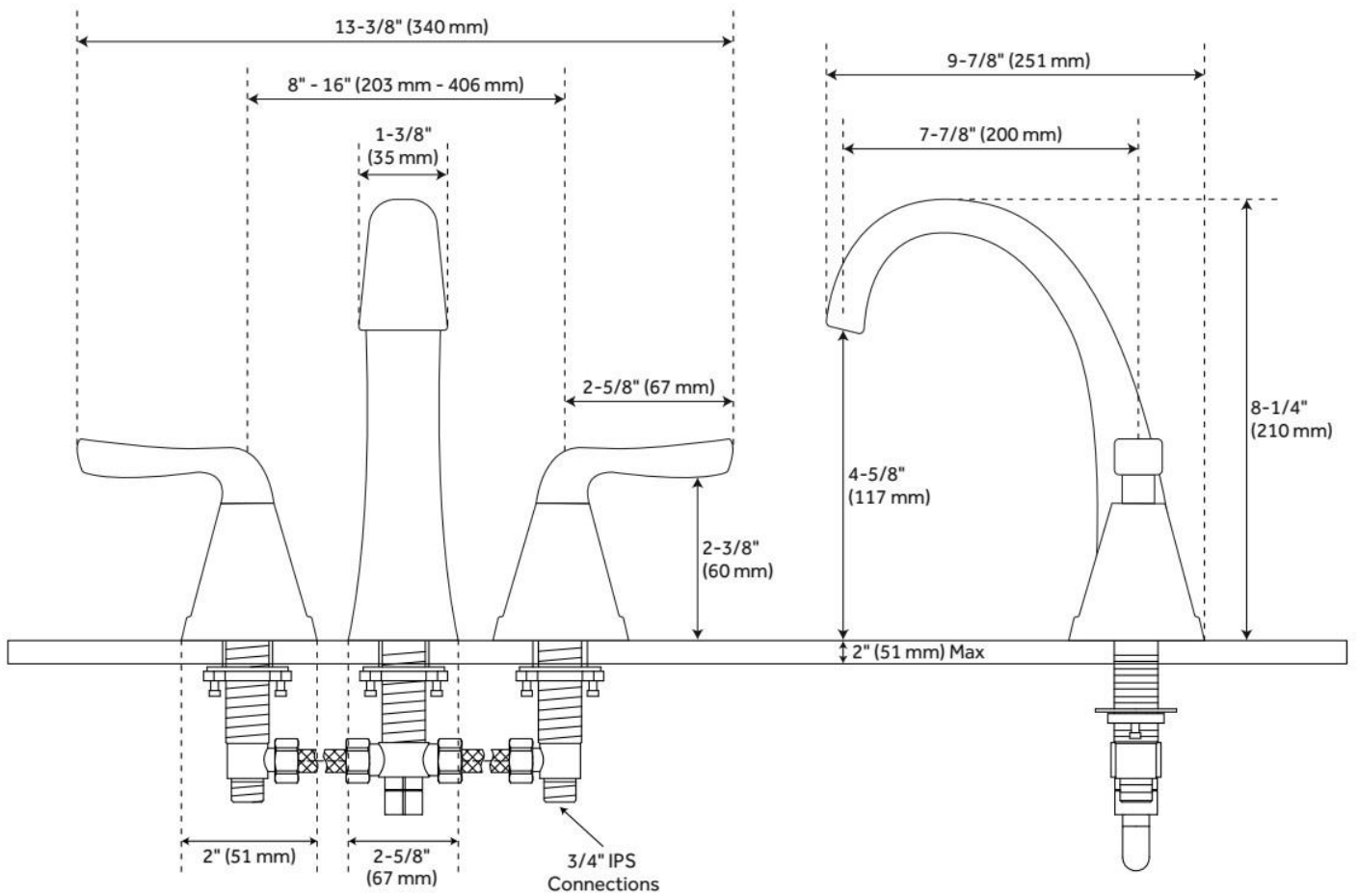
- 3-hole installation.
- Optional rough-in valve:
 - Brass coupling nut.
 - Accommodates an 8" - 16" faucet's spread.
 - Deck thickness max. 1.5" or screws can be removed to accommodate thicker deck installations up to 2".

REVISED 5/13/2024

PROVINCETOWN 3-HOLE ROMAN TUB FAUCET

SKU: 948683

Code: SHPR3RT, SH674163



REVISED 5/13/2024

3-HOLE ROMAN TUB FAUCET ROUGH-IN VALVE

SKU: 448004
Code: SH674163

FEATURES

Installation Type: Deck Mount



ASME A112.18.1/CSA B125.1, Massachusetts Accepted, LISTED ID: SH674163



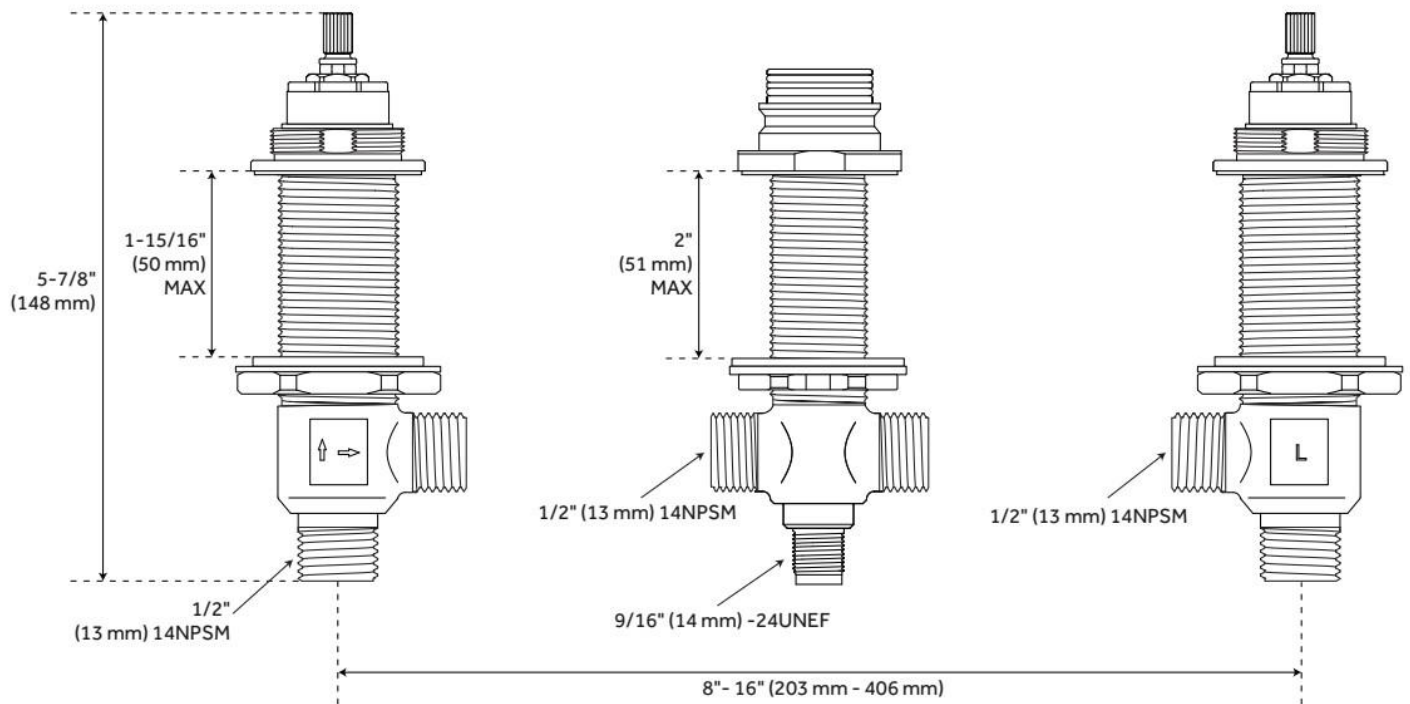
ADDITIONAL FEATURES

- Compatible with Beasley, Carraway, Edenton, Key West, Provincetown, St. Martin and Vilamonte 3-Hole Roman Tub Faucets.
- 3-Hole Installation.
- Brass coupling nut.
- Faucet can be installed with variable centers from 8" - 16"

REVISED 5/15/2024

3-HOLE ROMAN TUB FAUCET ROUGH-IN VALVE

SKU: 448004
Code: SH674163



REVISED 5/15/2024