

PROVINCETOWN FREESTANDING TUB FAUCET WITH HAND SHOWER

SKU: 948664

Code: SHPRFS2000G, SHFSR2000WS, SHFSR2000



FEATURES

Material: Metal construction for strength and durability

Installation Type: Freestanding

Flow Rate: 10.7 gpm (39.8 L/min) @ 80 psi

Hand Shower Flow Rate: 1.8 gpm (6.8 L/min) @ 80 psi

Spray Type: Full

Cartridge Type: Ceramic Disc

Swivel Spout: No

Required for Installation: Rough-in valve: SHFSR2000 or SHFSR2000WS

ASME A112.18.1/CSA B125.1, ICC/ANSI A117.1, CEC Listed, WaterSense by IAPMO, Massachusetts Accepted, LISTED ID: SHFSR2000WS, SHPRFS2000G*, SHFSR2000



ADDITIONAL FEATURES

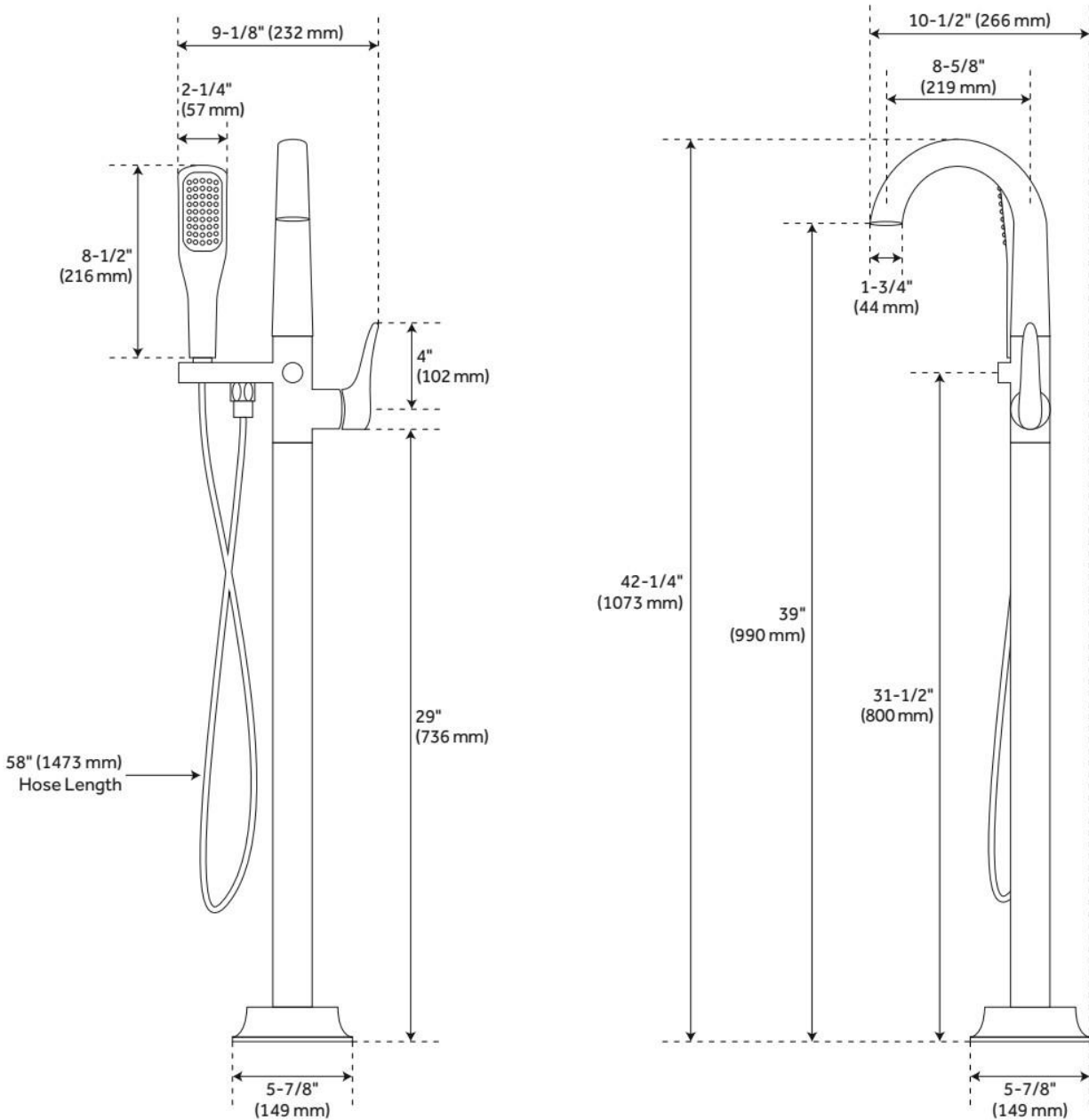
- Spout max. flow rate: 8 gpm (30 L/min) @ 60 psi.
- Hand shower max. flow rate: 1.8 gpm (6.8 L/min) @ 80 psi.
- Single function hand shower (full spray).
- Integral diverter to hand shower.
- Handshower includes factory installed backflow prevention check valve.
- Optional rough-in valve includes stops.
- Underfloor access is required for proper installation. Installation on an existing concrete slab will require cutting and concrete removal.

REVISED 5/15/2024

PROVINCETOWN FREESTANDING TUB FAUCET WITH HAND SHOWER

SKU: 948664

Code: SHPRFS2000G, SHFSR2000WS, SHFSR2000



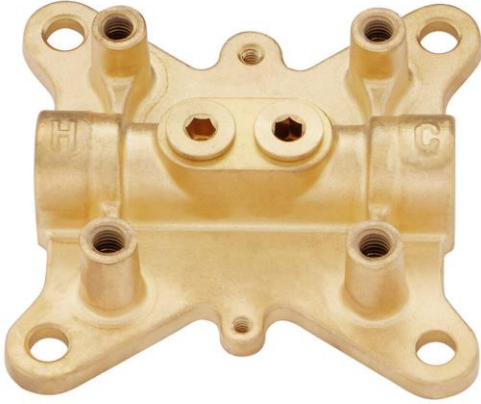
REVISED 5/15/2024

FREESTANDING TUB FAUCET ROUGH-IN VALVE

SKU: 446521
Code: SHFSR2000

FEATURES

Material: Metal construction for strength and durability



ASME A112.18.1/CSA B125.1, Massachusetts Accepted, LISTED ID: SHFSR2000



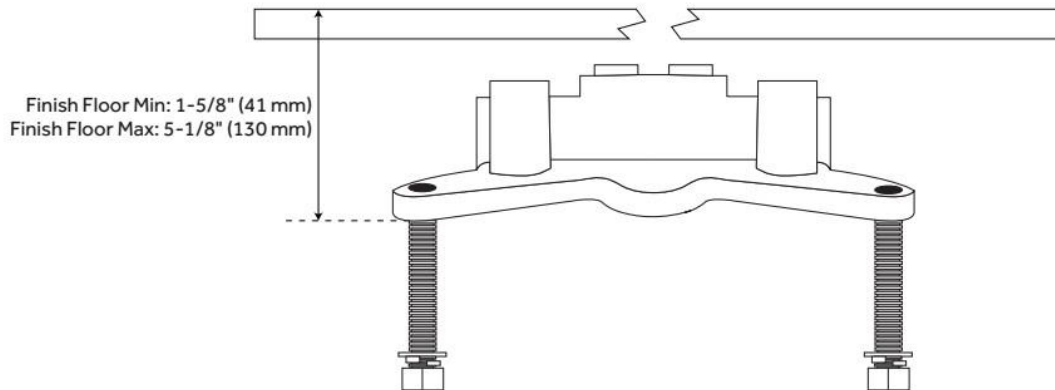
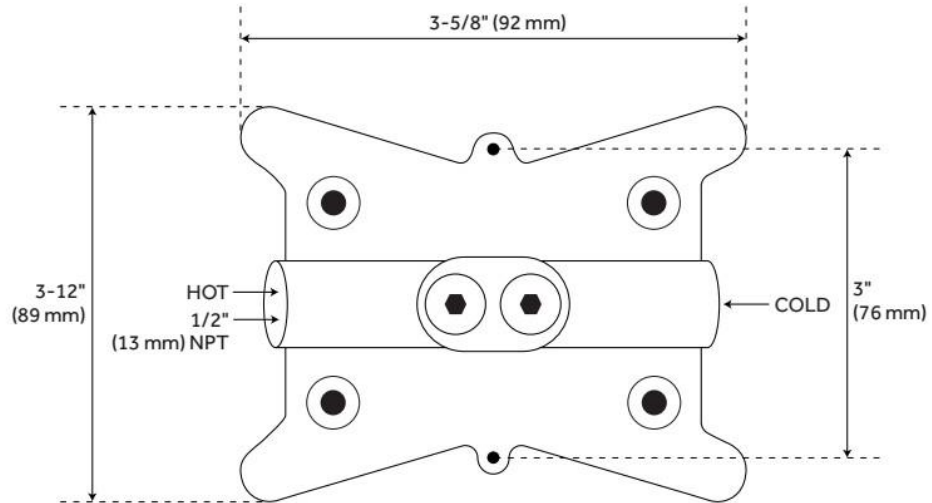
ADDITIONAL FEATURES

- Not compatible with Ryle, Napier, Keswick, Copper and Cybelle Freestanding Tub Faucets.

REVISED 5/13/2024

FREESTANDING TUB FAUCET ROUGH-IN VALVE

SKU: 446521
Code: SHFSR2000



REVISED 5/13/2024

FREESTANDING TUB FAUCET ROUGH-IN VALVE WITH STOPS

SKU: 448006
Code: SHFSR2000WS

FEATURES

Material: Metal construction for strength and durability



ASME A112.18.1/CSA B125.1, Massachusetts Accepted, LISTED ID: SHFSR2000WS



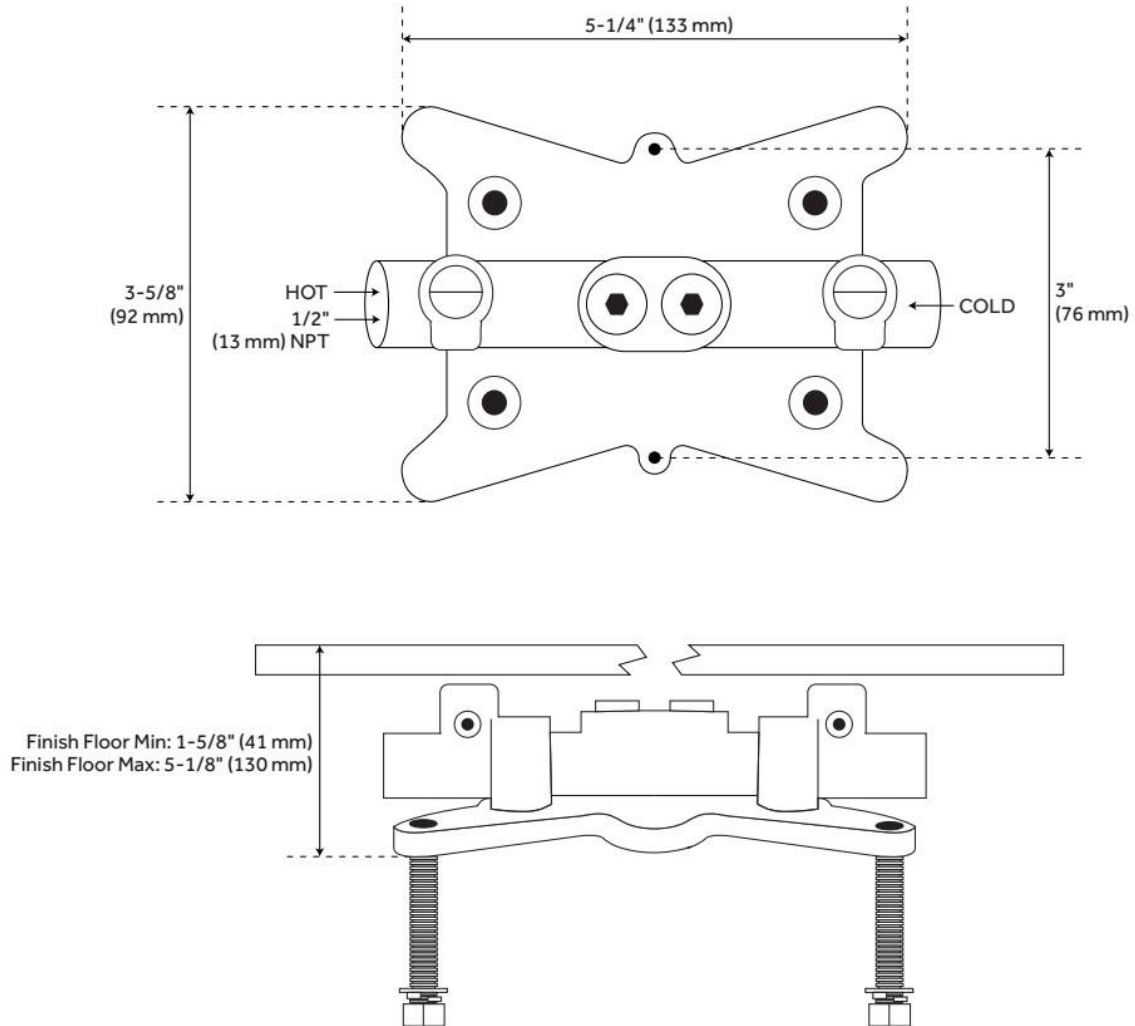
ADDITIONAL FEATURES

- Not compatible with the Ryle, Napier, Keswick, Cooper, and Cybelle Freestanding Tub Faucets.

REVISED 5/13/2024

FREESTANDING TUB FAUCET ROUGH-IN VALVE WITH STOPS

SKU: 448006
Code: SHFSR2000WS



REVISED 5/13/2024